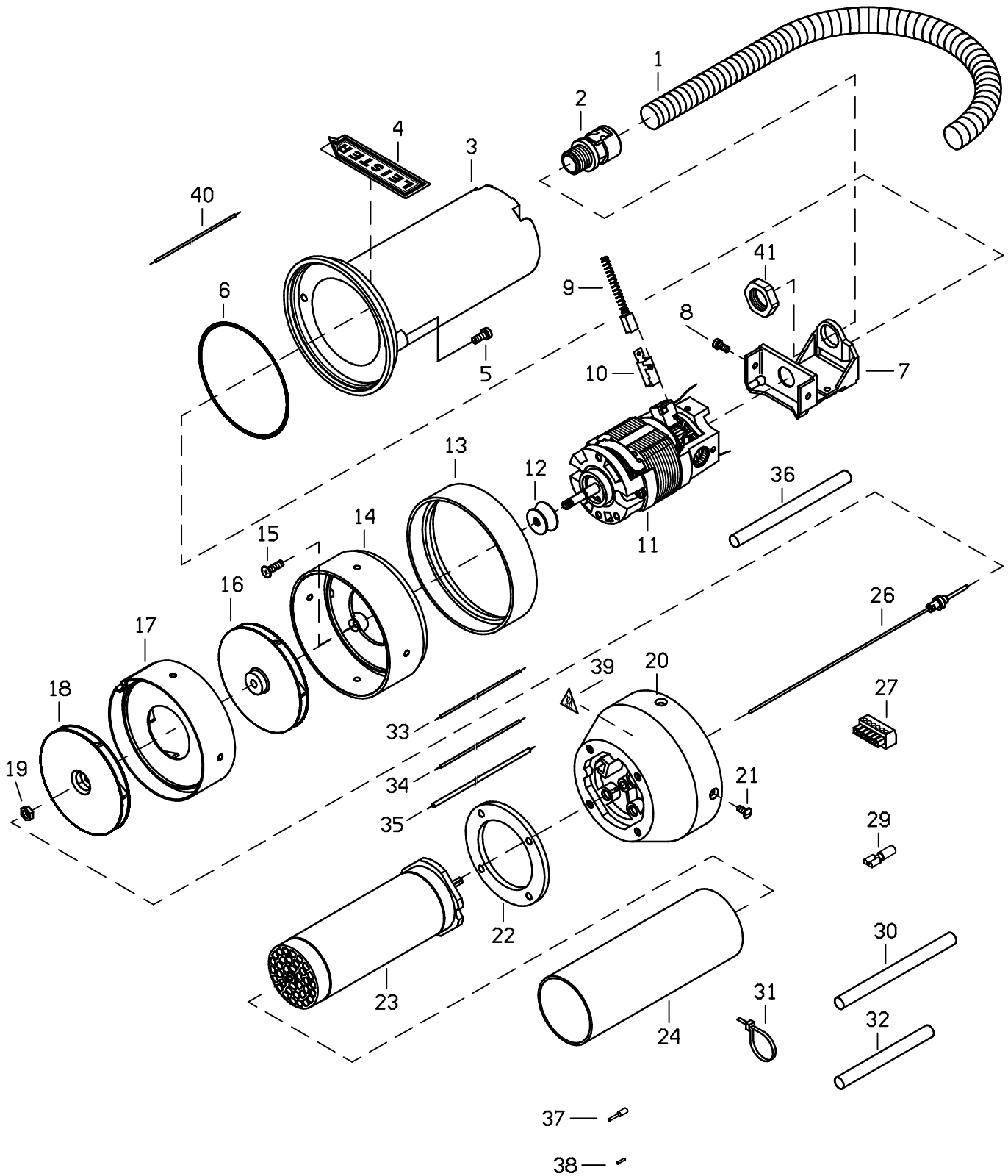


A

B



This document and the information in it contained are property of LEISTER and as such, they are to be considered reserved.  
 Therefore, any reproduction in any form or by any means, without prior written permission of LEISTER is forbidden.

Material:

Volume:

Date	Drawn by
20.05.2005	fmu
Date	Checked by
02.12.2005	gdm

## Electron Varimat V

LEISTER  
Process Technologies  
CH-6060 Sarnen

Format	Scale
A4	%



Drawing number	Revision
020.047	B

Sheet
1
of
1