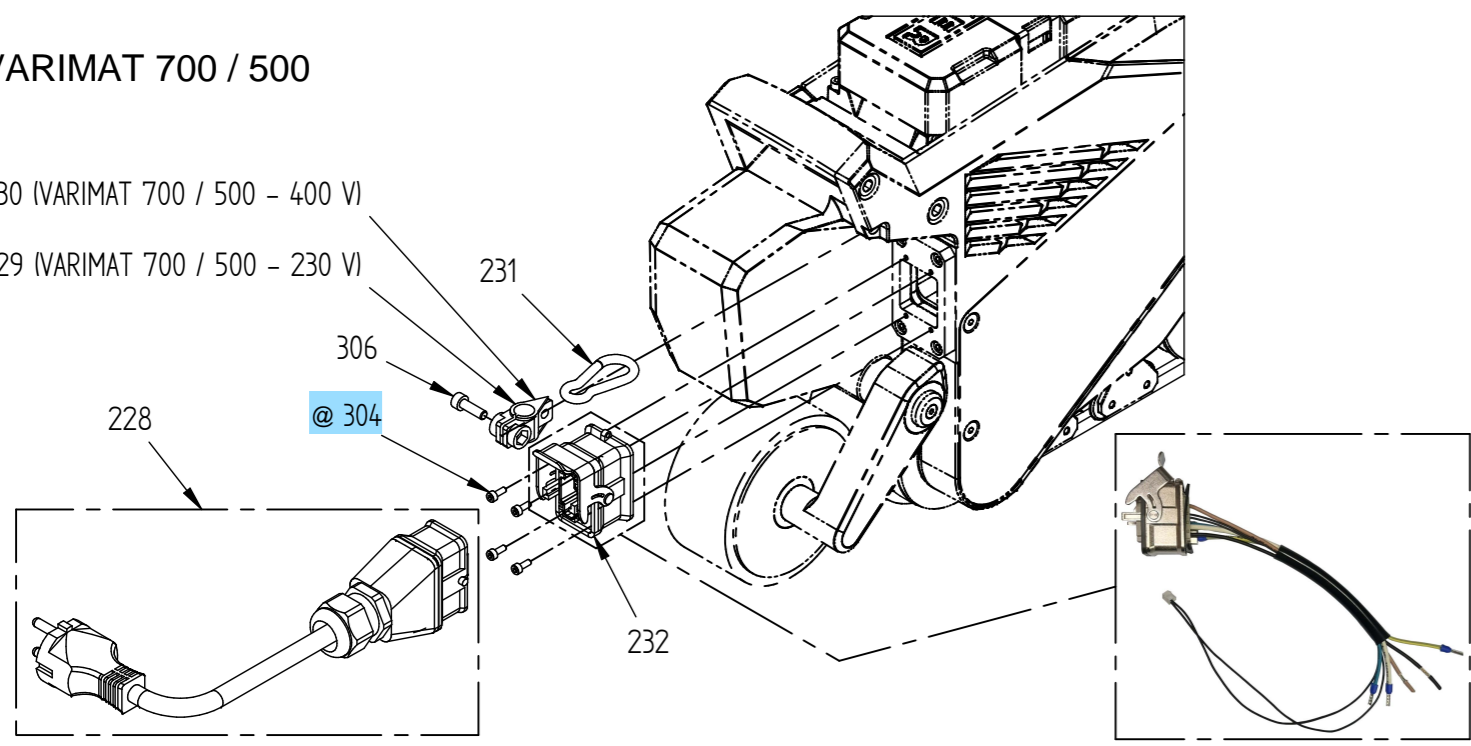


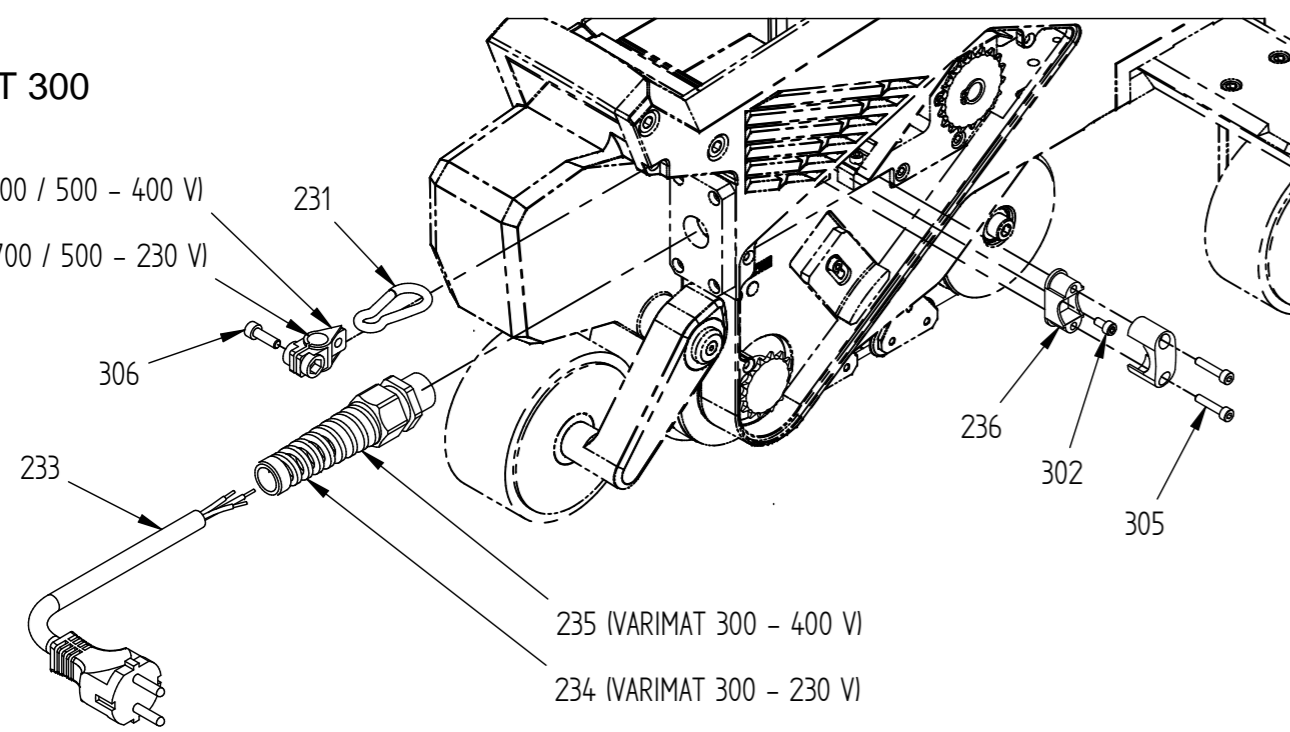
VARIMAT 700 / 500

- 230 (VARIMAT 700 / 500 - 400 V)
- 229 (VARIMAT 700 / 500 - 230 V)

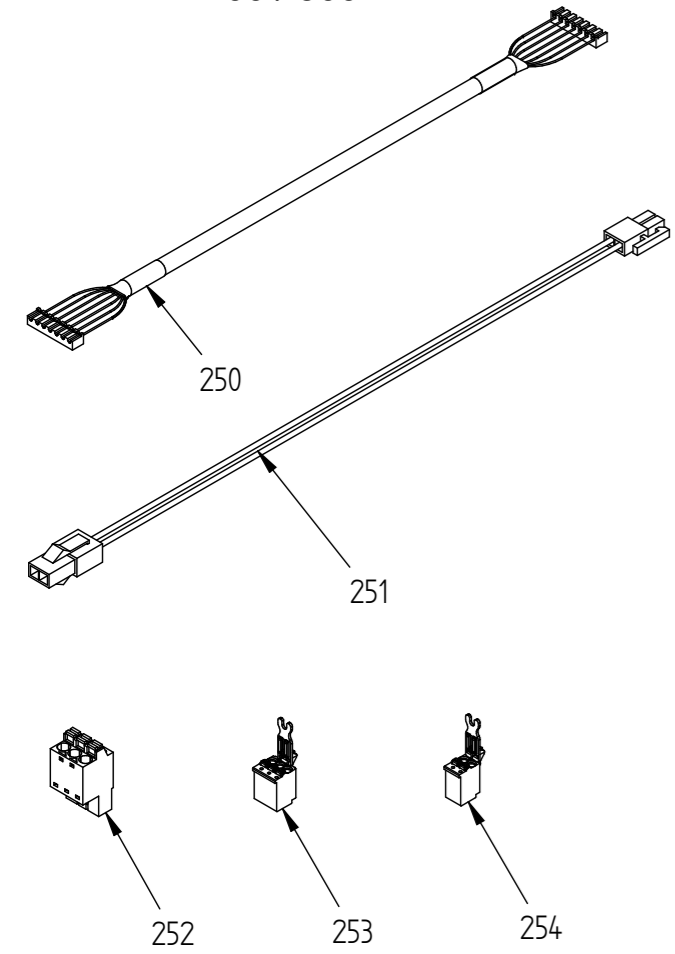


VARIMAT 300

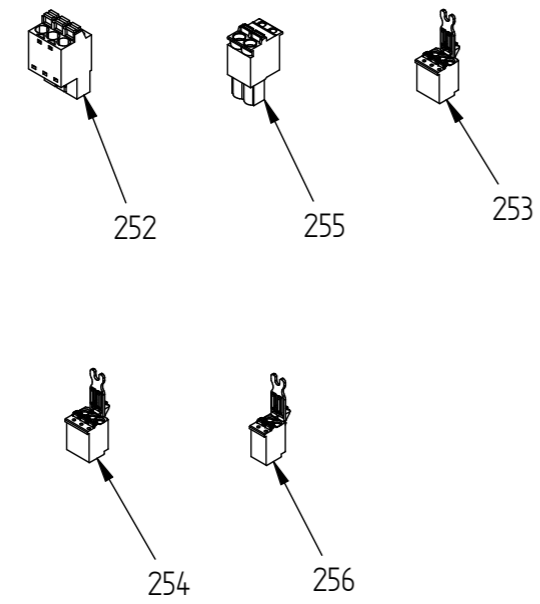
- 230 (VARIMAT 700 / 500 - 400 V)
- 229 (VARIMAT 700 / 500 - 230 V)



VARIMAT 700 / 500



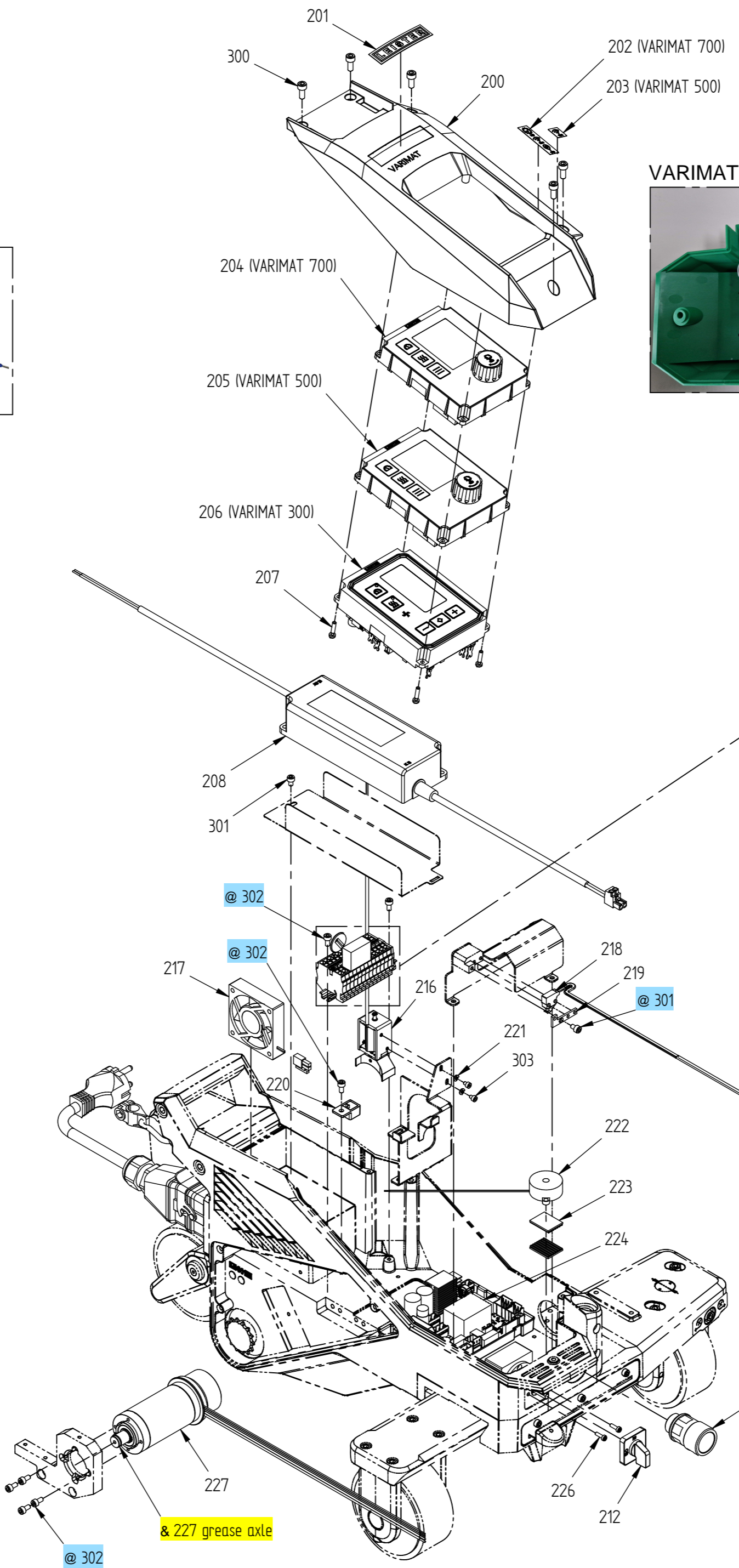
VARIMAT 300



Pos	Name	Standard	Material	Leister	Bossard
300	Hex socket cap screw M5 x 12	ISO 4762	INOX A2	100.373	1233289
301	Hex socket cap screw M4 x 6	ISO 4762	INOX A2	120.808	1233173
302	Hex socket cap screw M4 x 8	ISO 4762	INOX A2	102.139	1233181
303	Hex socket cap screw M3 x 4	ISO 4032	INOX A2	142.435	1233084
304	Hex socket cap screw M3 x 8	ISO 4762	INOX A2	120.744	1233114
305	Hex socket cap screw M4 x 20	ISO 4762	INOX A2	106.732	1233246
306	Hex socket cap screw M5 x 16	ISO 4762	INOX A2	100.424	1233297

Standard components can no longer be ordered as a single unit. They are only available on request and restricted to a minimum order quantity.

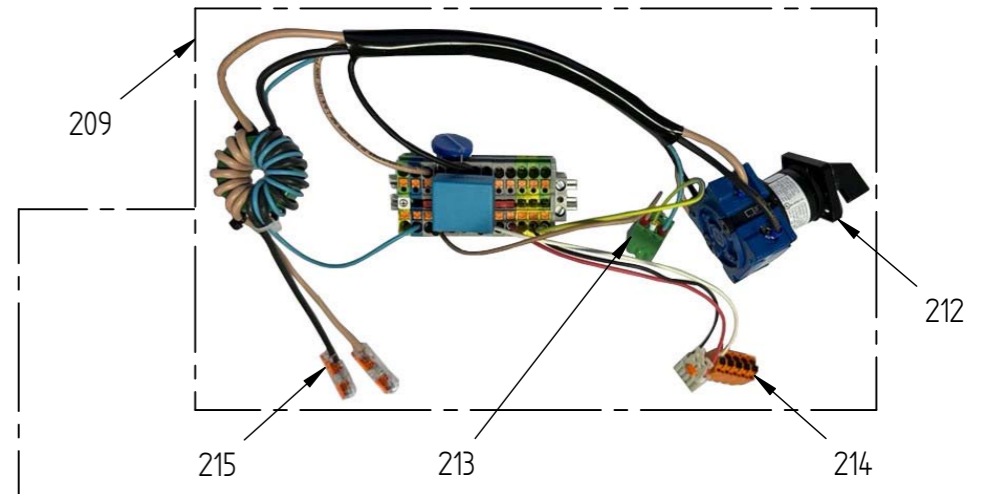
C



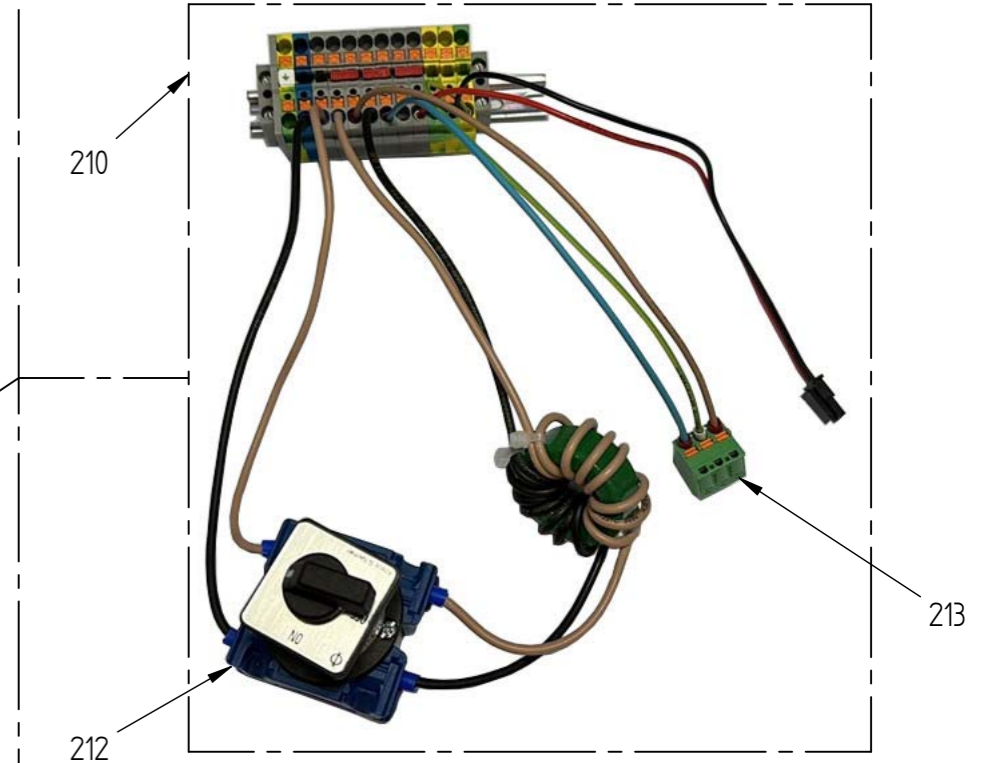
VARIMAT 700



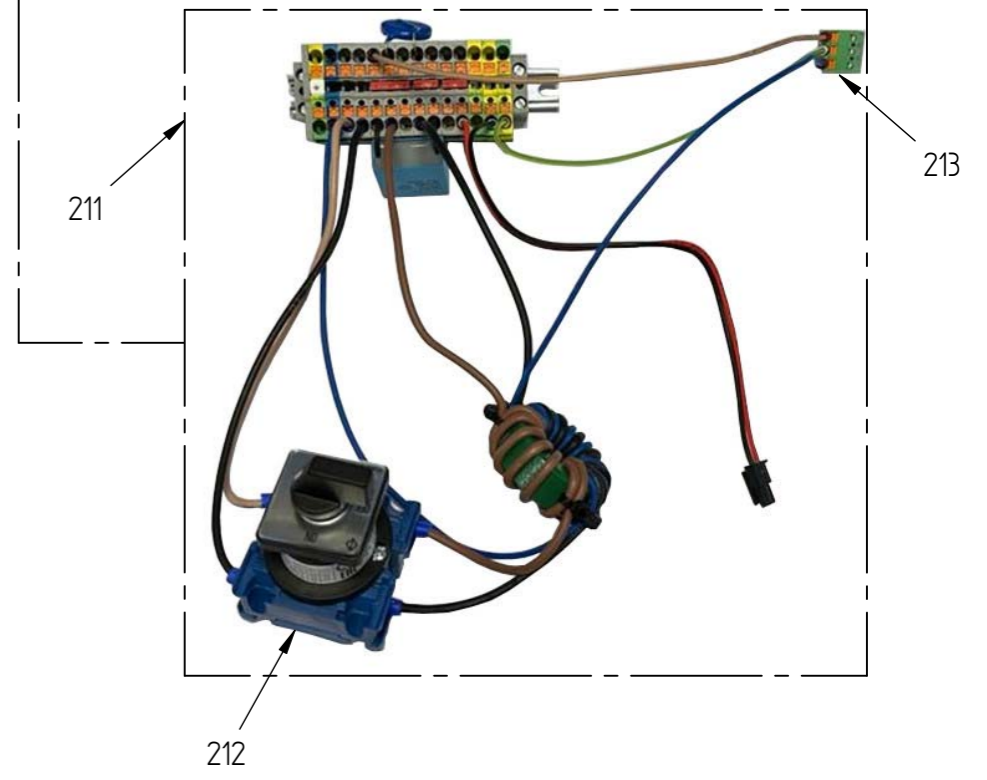
VARIMAT 700 / 500



VARIMAT 300, 230 V



VARIMAT 300, 400 V



& **Microlube GBU-Y 131** Apply multi purpose grease
Mit Universalfett schmieren

@ **Loctite 242** Medium strength threadlocker
Schraubensicherung mittelfest

Material: -		Volume:			
Date	Drawn by	Sheet			
12.06.23	Bürgler, Roger	1			
Date	Checked by	of			
07.12.23	Bürgler, Roger	1			
Leister Technologies AG Switzerland		Format	Scale	Drawing number	Revision
		A2	1:4		

This document and the information in it contained are property of LEISTER and as such, they are to be considered reserved. Therefore, any reproduction in any form or by any means, without prior written permission of LEISTER is forbidden.