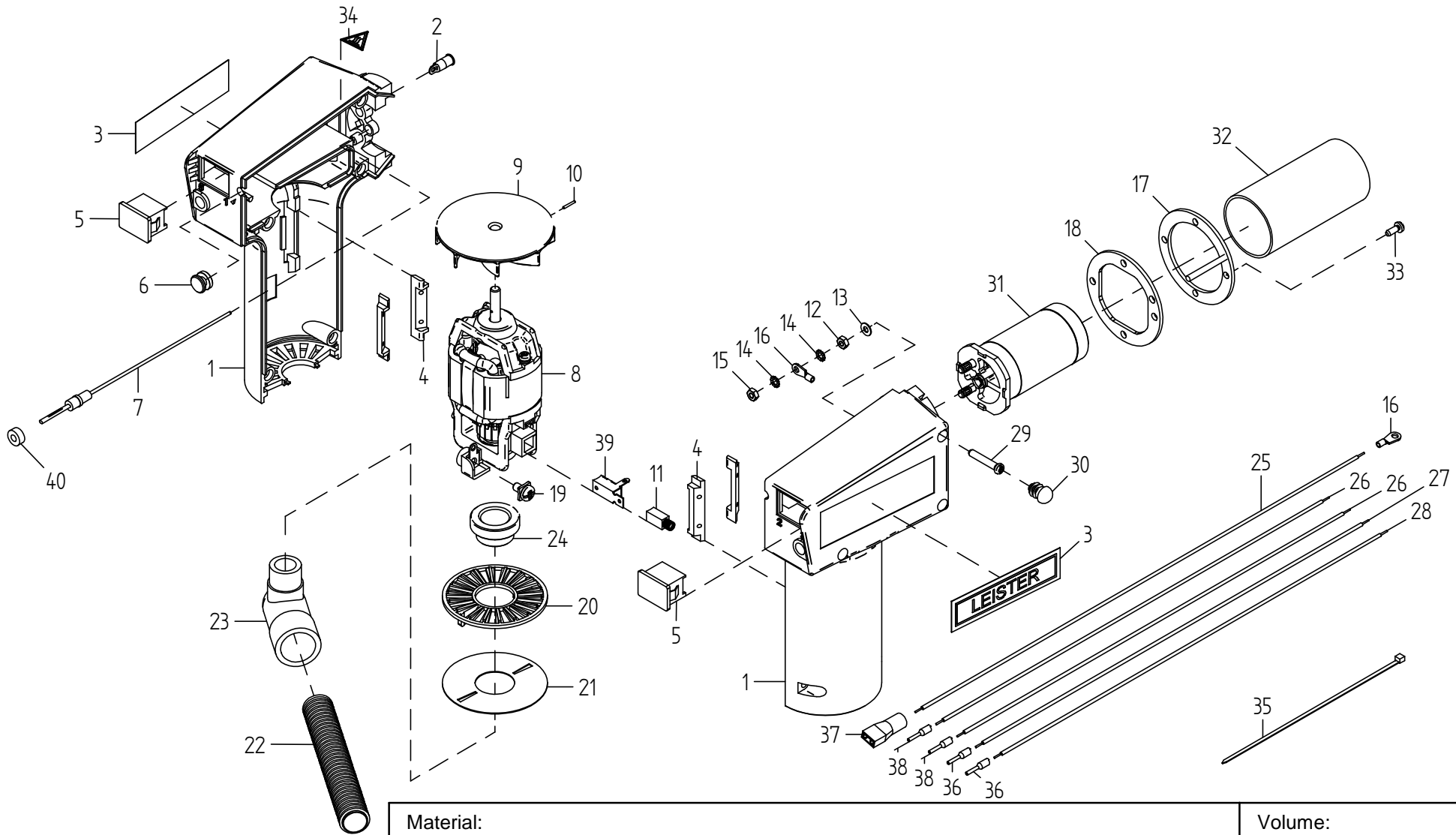
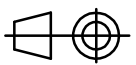


© This document and the information in it contained are property of LEISTER and as such, they are to be considered reserved.  
 Therefore, any reproduction in any form or by any means, without prior written permission of LEISTER is forbidden.



Material:				Volume:		
Date	Drawn by	<b>Ghibli E Uni-floor/-plan/-roof</b>		Sheet	1	
04.08.2006	gdm			of	1	
Date	Checked by			Revision	01	
LEISTER Process Technologies CH-6060 Sarnen		Format	Scale		Drawing number	020.153
		A4Q	%		Revision	01

1  
 2