

A

B

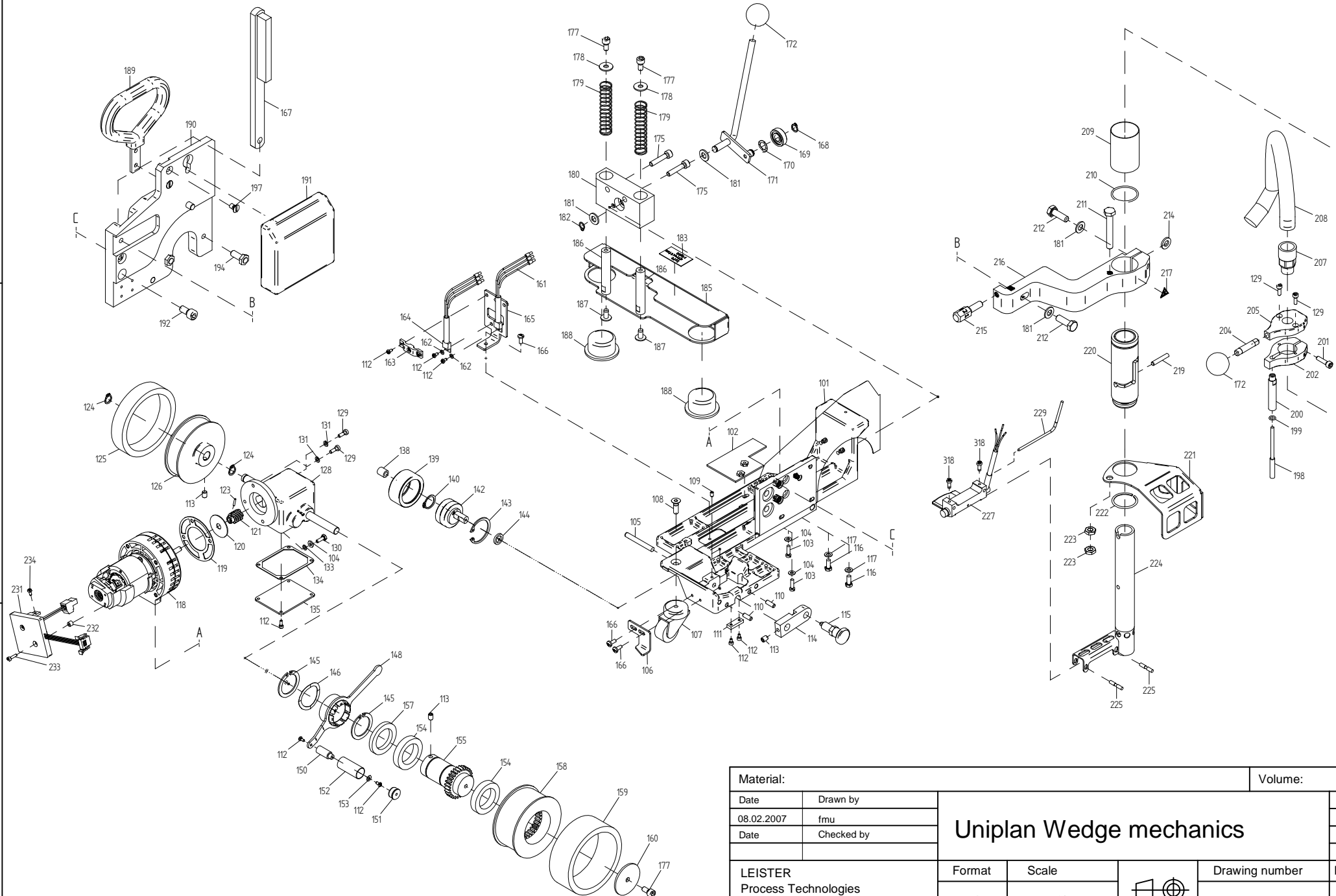
C


D

1

2

3



Material:				Volume:	
Date	Drawn by	Uniplan Wedge mechanics			Sheet
08.02.2007	fmu				1
Date	Checked by				of
			1	Revision	
LEISTER Process Technologies CH-6060 Sarnen		Format A3	Scale %		Drawing number 020.200
					02

This document and the information in it contained are property of LEISTER and as such, they are to be considered reserved.
 Therefore, any reproduction in any form or by any means, without prior written permission of LEISTER, is forbidden.