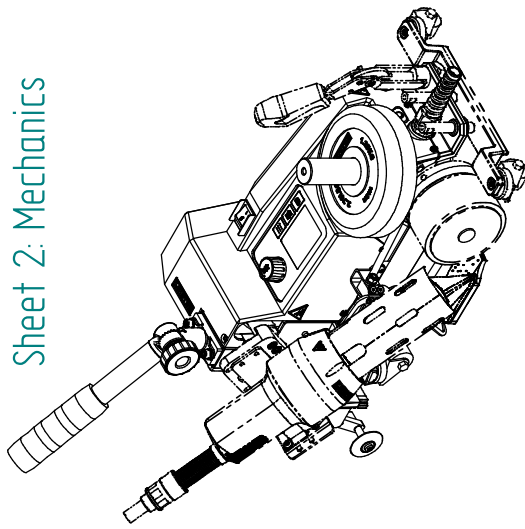
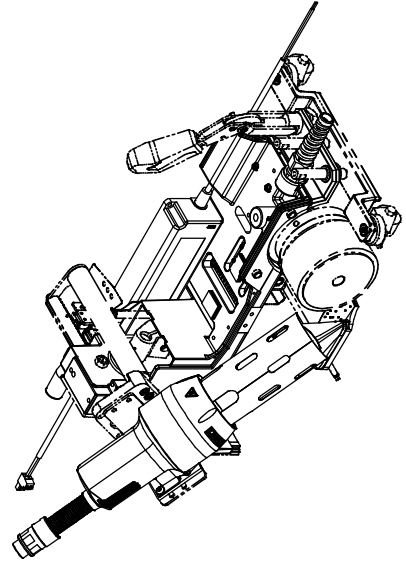


Sheet 2: Mechanics



Sheet 4: Housing and add-on pieces



Sheet 3: Electronics and Hot air blower

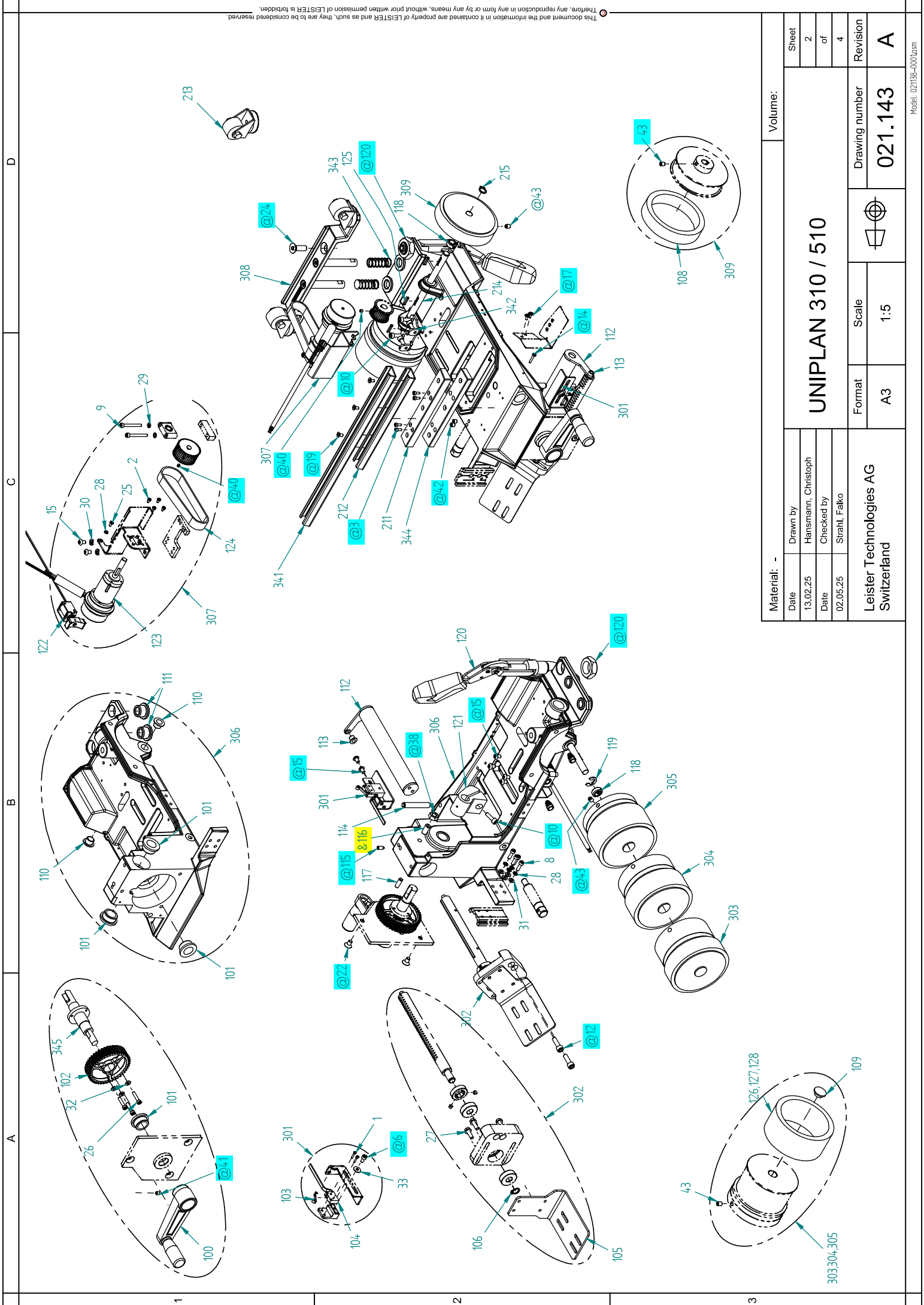
Pos.	Name	Standard	Material	Leister	Bossard	Pos.	Name	Standard	Material	Leister	Bossard
24	Countersunk screw M8 x 25	ISO 10642	INDX A2	155.399	1235427	1	Hex socket cap screw M2 x 10			14.1244	
26	Cheese head screw M4 x20		A2	163.858		2	Hex socket cap screw M3 x 5	DIN 7984	INDX A2	152.759	1256556
27	Hex head asm. screw M5 x 16	DIN 933 Z1	INDX A2	165.279	3061288	3	Hex socket cap screw M3 x 8	ISO 4762	INDX A2	120.744	1233114
29	Lockwasher M4 (4.25/7.6/0.9)	DIN 127 B	INDX A2	101.008	300217533	4	Hex socket cap screw M3 x 12	ISO 4762	INDX A2	120.807	1233130
30	Lockwasher M5 (5.35/9.2/1.2)	DIN 127 B	INDX A2	100.124	1253603	5	Head cap screw M4 x 6	ISO 4762	INDX A2	120.808	1233173
31	Washer M3 (3.2/9/0.8)	ISO 7093	INDX A2	102.275	1117122	6	Hex socket cap screw M4 x 8	ISO 4762	INDX A2	102.139	1233181
32	Washer M4 (4.3/9/0.8)			100.139		8	Hex socket cap screw M4 x 14	ISO 4762	INDX A2	156.670	1111353
33	Washer M4 (4.3/12/1)			102.241		9	Hex socket cap screw M4 x 35	ISO 4762	INDX A2	120.911	1111388
34	Washer M5 (5.3/10/1)	ISO 7089	INDX A2	100.123	1253212	10	Hex socket cap screw M4 x 16	ISO 4762	INDX A2	100.424	1233297
35	Washer M5 (5.3/15/1.2)	ISO 7093	INDX A2	102.238	1755609	11	Hex socket cap screw M5 x 20	ISO 4762	INDX A2	101.025	1233300
36	Washer M6 (6.4/12/1.6)	ISO 7089	INDX A2	100.951	1965549	12	Hex socket cap screw M6 x 20	ISO 4762	INDX A2	101.113	1233378
37	Washer M10 (10.5/40/1.5)		INDX A2	170.063	3061842	13	Hex socket cap screw M6 x 30	ISO 4762	INDX A2	100.927	1032844
38	Hexagonal nut M8 x 6.5	ISO 4023	INDX A2	100.321	1241508	14	Pan head cap screw M6 x 16	ISO 14583	INDX A2	124.291	3061610
39	Hex locking nut M6	DIN 985	INDX A2	101.174	1242407	15	Pan head cap screw M5 x 8	ISO 7380-1	INDX A2	120.920	1348892
40	Set screw M4 x 4	ISO 4026	INDX A2	117.457	1235583	16	Pan head cap screw M5 x 12	ISO 14583	INDX A2	100.976	3061628
41	Set screw M5 x 5	ISO 4026	INDX A2	121.632	1235710	17	Pan washer head screw M3 x 6		INDX A2	130.322	3060942
42	Set screw M6 x 6	ISO 4029	INDX A2	122.769	1115103	18	Countersunk screw M3 x 8	ISO 14581	INDX A2	121.628	3061684
43	Set screw M6 x 8			116.003		19	Countersunk screw M4 x 8	ISO 10642	INDX A2	129.470	1235184
						20	Countersunk screw M4 x 10	ISO 10642	INDX A2	120.599	1235192
						21	Countersunk screw M5 x 10	ISO 10642	INDX A2	120.790	1235249
						22	Countersunk screw M6 x 10	ISO 10642	INDX A2	129.472	1235338
						23	Countersunk screw M6 x16	ISO 10642	INDX A2	120.992	1235362

Standard components can no longer be ordered as a single unit.
They are only available on request and restricted to a minimum order quantity.

& KP 1 K-20 Apply universal grease
Mit Universalfett schmieren

@ Loctite 242 Medium strength threadlocker
Schraubensicherung mittelfest

Material: -		Volume:	
Date	Drawn by	UNIPLAN 310 / 510	
13.02.25	Hansmann, Christoph		
Date	Checked by		
02.05.25	Strahl, Falko	Format	Scale
Leister Technologies AG Switzerland		A3	1:6
		Drawing number	Revision
		021.143	A



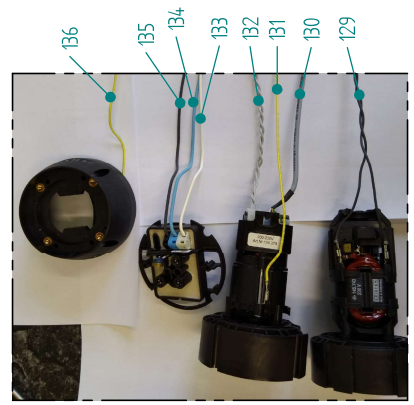
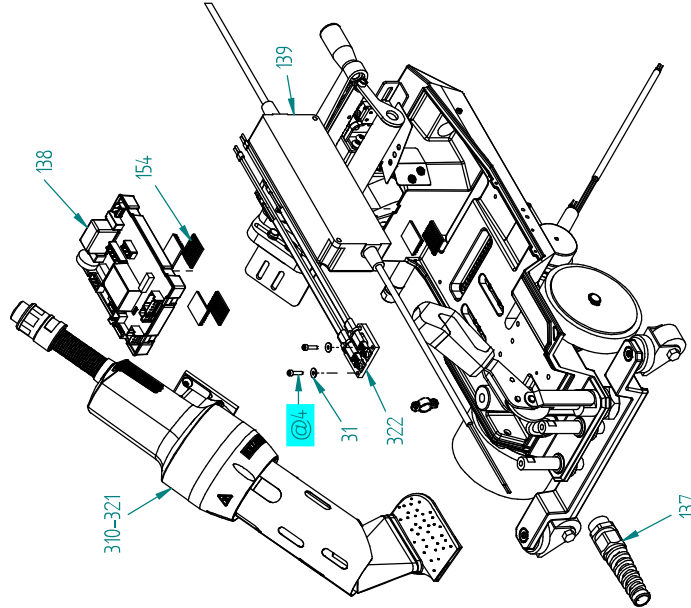
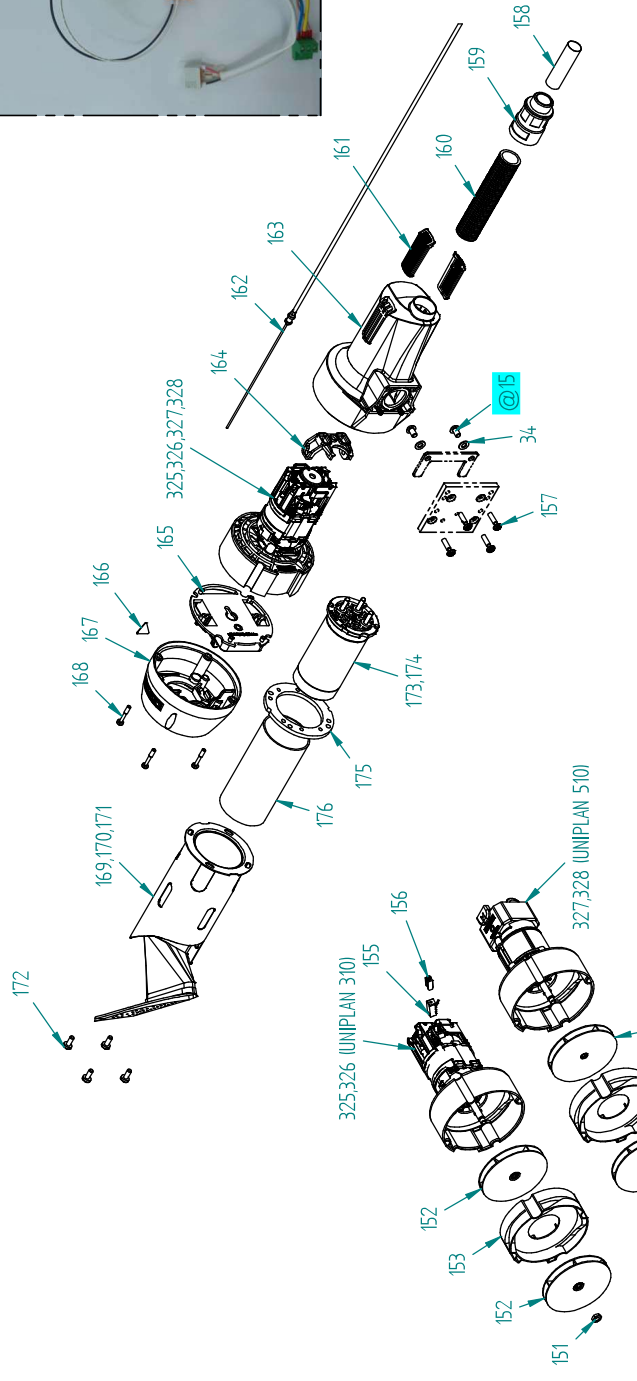
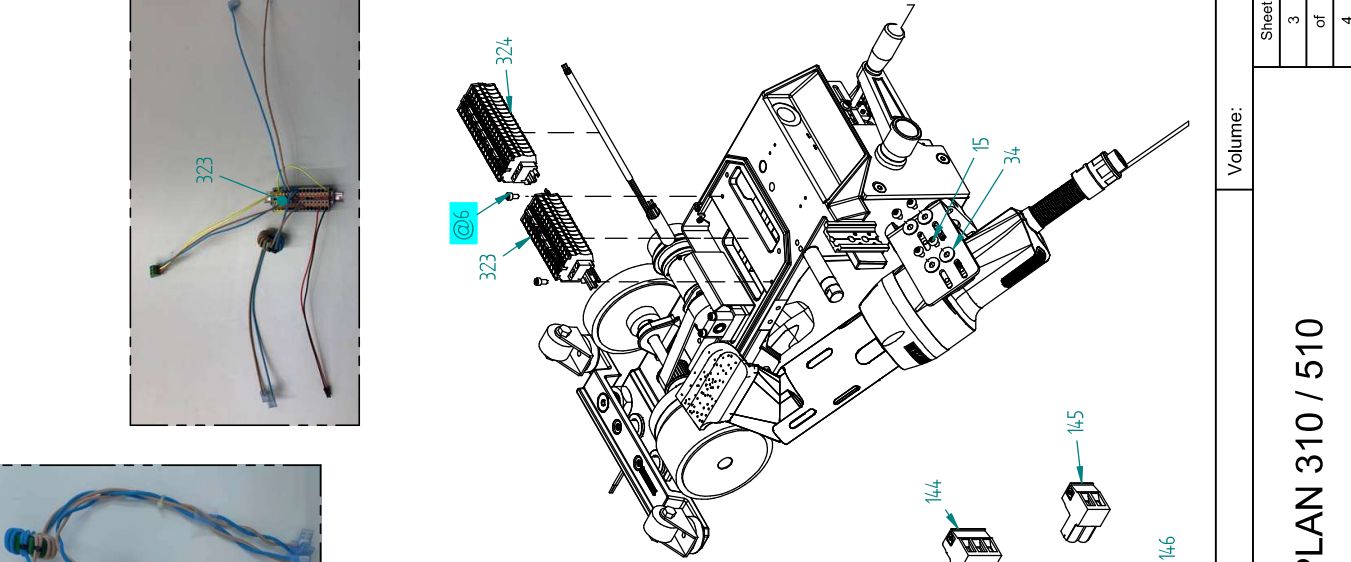
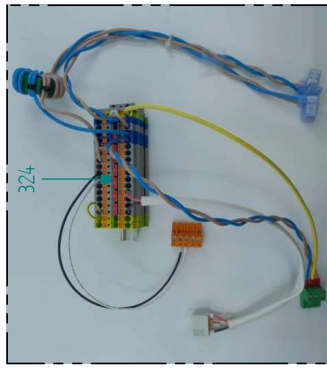
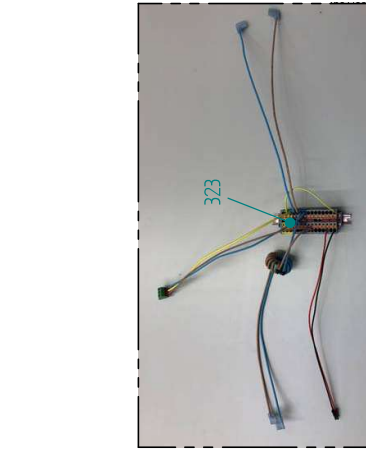
A B C D

Material: -		Volume:	
Date	Drawn by	UNIPLAN 310 / 510	
13.02.25	Hansmann, Christoph		
Date	Checked by		
02.05.25	Strahl, Falko	Format	A3
Leister Technologies AG Switzerland		Scale	1:5
		Drawing number	021.143
		Revision	A

This document and the information in it contained are property of LEISTER and as such, they are to be considered reserved. Therefore, any reproduction in any form or by any means, without prior written permission of LEISTER is forbidden.

Model: 021138-0001a3sm

This document and the information it contains are property of LEISTER and as such, they are to be considered confidential. Any reproduction in any form or by any means, without prior written permission of LEISTER is forbidden.



Material: -		Volume:	
Date	Drawn by	UNIPLAN 310 / 510	
13.02.25	Hansmann, Christoph	Format	A3
Date	Checked by	Scale	1:5
02.05.25	Strahl, Falko	Drawing number	021.143
		Revision	A

