



PROCESS HEAT

# TRIAC S ECONOMY ignition blower from Leister.

The built-in device for woodchip  
and pellet heating systems.



# Leister heats you up.

More and more house owners are choosing pellet and woodchip heaters. Independence from fluctuating oil prices and ecological principles are the key considerations in the choice of such heating systems. Leister supports this trend with its ignition blowers. Their reliability and stability make them the obvious choice for fully integrated use in pellet and woodchip heaters.

## Ignition blower

### TRIAC S ECONOMY

The most frequently used built-in device for pellet and woodchip heating systems.



#### Heating with wood – the right approach

- CO<sub>2</sub> neutral: The same amount of CO<sub>2</sub> is released on burning as the wood has absorbed during its growth
- Shorter transport routes
- Regional resources are used and your local suppliers supported as a result
- No dependence on fluctuations in the price of oil
- Long-term assured fuel supply

#### TRIAC S ECONOMY ignition blower

- Built-in device for fast and safe ignition
- Operational safety thanks to electronic protection of the heating element
- Blower and heating element can be controlled separately
- Fulfils Flicker Standards and RoHS Directives

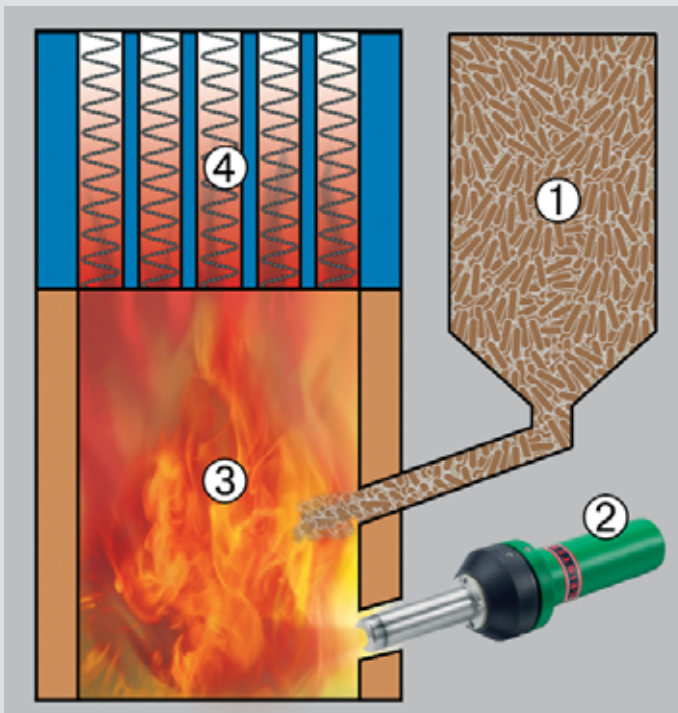
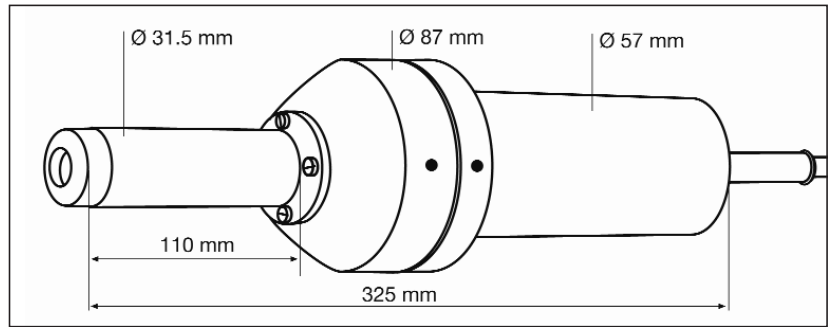
#### Technical Data

|                             |       |                                       |      |
|-----------------------------|-------|---------------------------------------|------|
| Voltage                     | V~    | 230                                   | 230  |
| Power                       | W     | 1600                                  | 1000 |
| Frequency                   | Hz    | 50 / 60                               |      |
| Temperature max.            | °C    | 600                                   |      |
| Airflow rate (20°C)         | l/min | 230                                   |      |
| Static pressure             | Pa    | ca. 3000 (30 mbar)                    |      |
| Noise level L <sub>pA</sub> | dB    | 65                                    |      |
| Weight                      | kg    | 1.3                                   |      |
| Conformity symbol           |       | CE                                    |      |
| Protection class II         |       | □                                     |      |
| Connection lead             |       | silicone, 3 × 1 mm <sup>2</sup> x 2 m |      |

#### Article numbers

|              |   |
|--------------|---|
| Art. 124.918 | TRIAC S ECONOMY 1600 W ignition blower  |
| Art. 122.501 | TRIAC S ECONOMY 1000 W ignition blower  |
| Art. 123.585 | Connection adapter for air hose, 38 mm<br>(not included in scope of delivery) |
| Art. 107.286 | Air hose  |
| Art. 107.287 | Hose clip   |

TRIAC S ECONOMY  
dimensions



Pellet / woodchip boiler principle

- 1 Pellet / woodchip silo
- 2 TRIAC S ECONOMY ignition blower
- 3 Combustion chamber
- 4 Heat exchanger

Accessories:

Connection adapter for air hose  
(not included in scope of delivery)



Leister every time.

Besides the TRIAC S ECONOMY, there are other device types available depending on your space and power requirements.



**ELECTRON** – the most powerful in the team.

This powerful ignition device has no respect even from damp burning material.

Art. 123.917



**MISTRAL** – the long-distance runner.

It may sometimes be necessary for wooden based materials to be dried. MISTRAL accomplishes this task with ease.

On request



**HOT JET S** – small and smart.

Fits also in small house heaters. Thanks to its quite performance, the harmony is not disturbed.

On request

**Headquarters:**

Leister Process Technologies  
 Riedstrasse  
 6060 Sarnen/Switzerland  
 phone: +41 41 662 74 74  
 fax: +41 41 662 74 16  
 leister@leister.com

**China:**

Leister Technologies Ltd.  
 Building A, 1588 Zhuanxing Road  
 Shanghai 201 108 PRC  
 phone: +86 21 6442 2398  
 fax: +86 21 6442 2338  
 leister@leister.cn



Our close worldwide network of more than 120 Sales and Service Centres in more than 60 countries.