

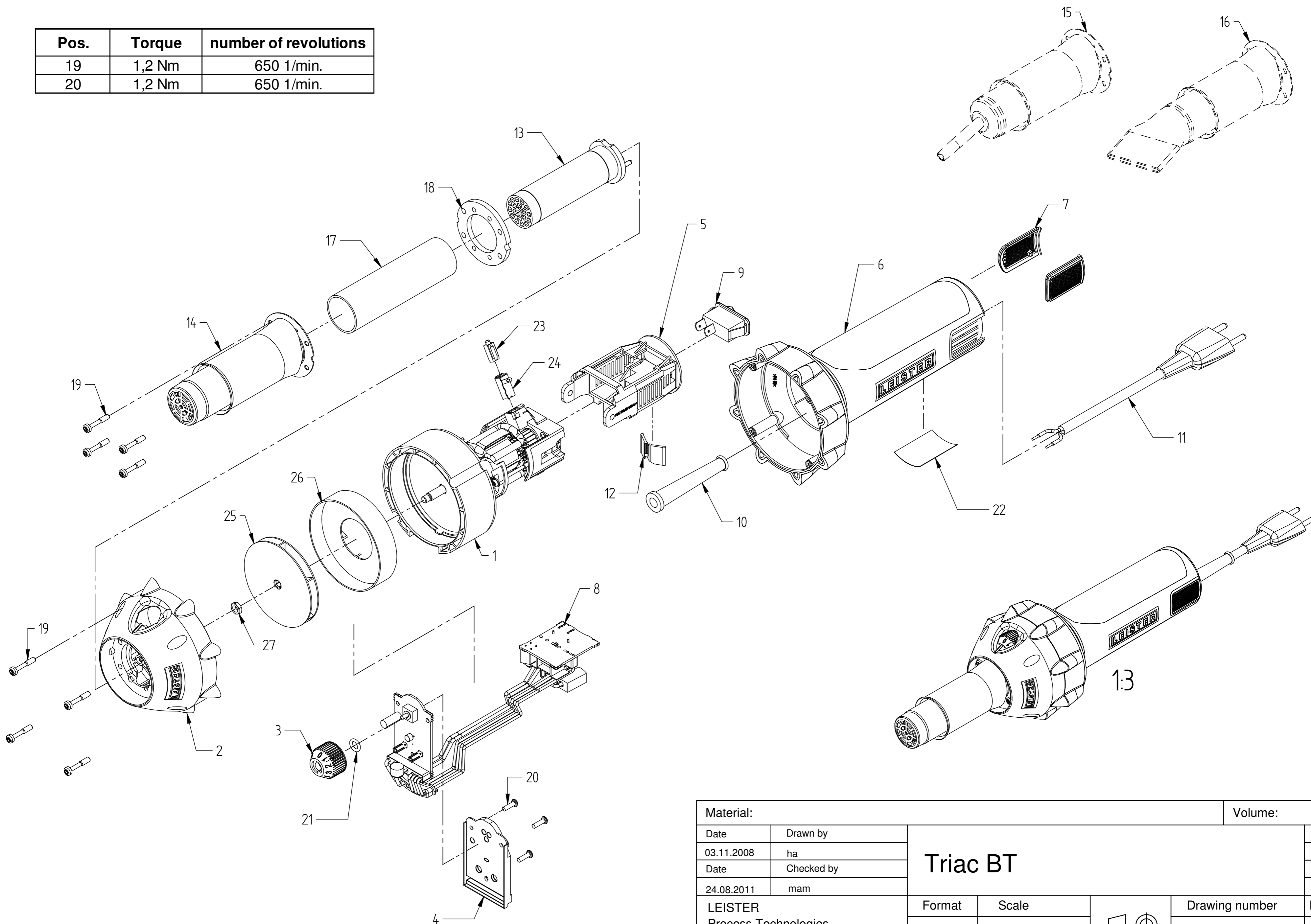
A

B

C

D

Pos.	Torque	number of revolutions
19	1,2 Nm	650 1/min.
20	1,2 Nm	650 1/min.



Material:				Volume:		
Date	Drawn by	Triac BT			Sheet	
03.11.2008	ha				1	
Date	Checked by				of	
24.08.2011	mam				1	
LEISTER Process Technologies CH-6056 Kaegiswil		Format	Scale		Drawing number	Revision
		A3	%		020.293	A