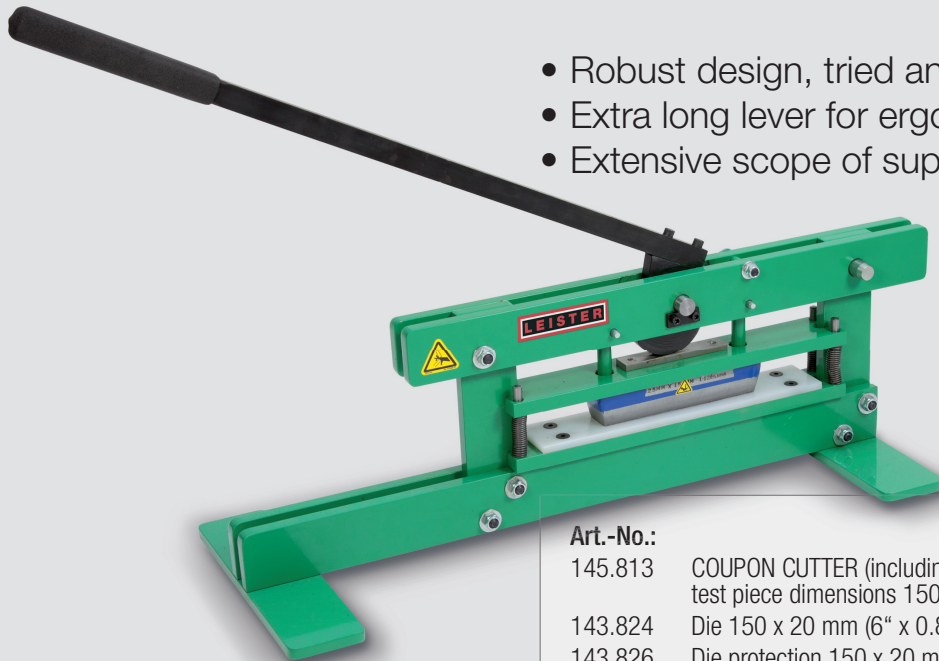


NEW!

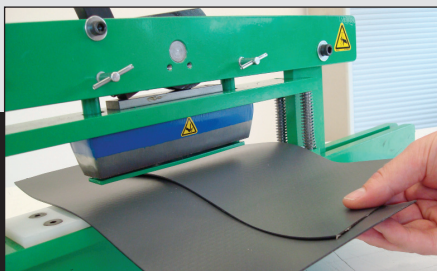
COUPON CUTTER

The Leister COUPON CUTTER is a weld test punch proven on building sites for peel, shear and tensile testing. It is ideal in combination with one of the two tensile test tools EXAMO 300 USB or EXAMO 600 USB. That gives you perfect control over the quality of the welded membrane liners at all times. The strong leverage effect ensures easy handling and perfect cutting results.

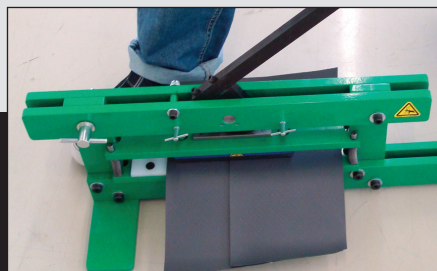
- Robust design, tried and tested on building sites
- Extra long lever for ergonomic and efficient handling
- Extensive scope of supply

**Art.-No.:**

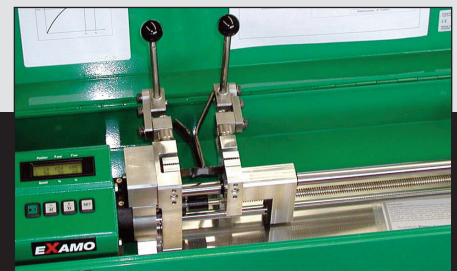
145.813	COUPON CUTTER (including hexagon set, knife protection), test piece dimensions 150 x 20 mm (6" x 0.8")
143.824	Die 150 x 20 mm (6" x 0.8")
143.826	Die protection 150 x 20 mm (6" x 0.8")
146.449	COUPON CUTTER (including hexagon set, knife protection), test piece dimensions 150 x 25 mm (6" x 1")
146.468	Die 150 x 25 mm (6" x 1")
146.536	Die protection 150 x 25 mm (6" x 1")
143.828	Cutting plate
139.059	Tensile test tool EXAMO 300 F USB
139.060	Tensile test tool EXAMO 600 F USB



Inserting the test strip



Cutting the test piece



Tensile test with the Leister EXAMO USB

Headquarters:

Leister Technologies AG
Galileo-Strasse 10
CH-6056 Kaegiswil/Switzerland

phone: +41 41 662 74 74
fax: +41 41 662 74 16
leister@leister.com

Leister Technologies LLC
1253 Hamilton Parkway
Itasca, IL 60143/USA

phone: +1 630 760 1000
fax: +1 630 760 1001
info@leisterusa.com

Leister Technologies Ltd.
Building 11, 155 Yuanke Road
Xinzhuan Industry Park
Shanghai 201 109/PRC
phone: +86 21 6442 2398
fax: +86 21 6442 2338
leister@leister.cn

Leister Technologies KK
Shinyokohama Bousei Bldg 1F
3-12-20, Shinyokohama, Kohoku-ku,
Yokohama 222-0033/Japan
phone: +81 (45) 477 3637
fax: +81 (45) 477 3638
sales-japan@leister.com