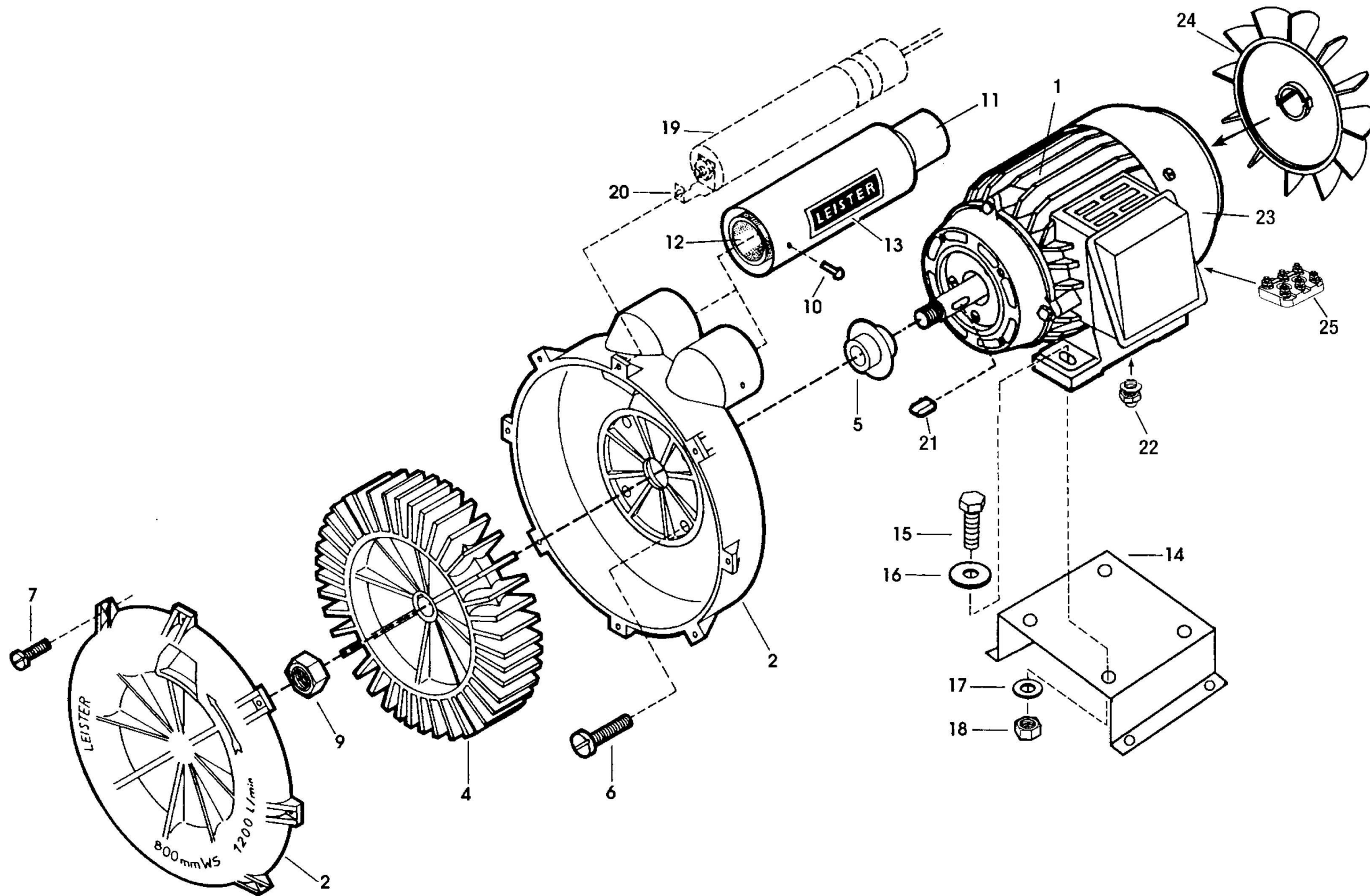


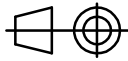
A

B

C

D



Material:				Volume:		
Date	Drawn by	Robust			Sheet	
22.01.2009	gdm				1	
Date	Checked by				of	
					1	
LEISTER Process Technologies CH-6060 Sarnen		Format	Scale		Drawing number	Revision
		A3	%		020.305	01