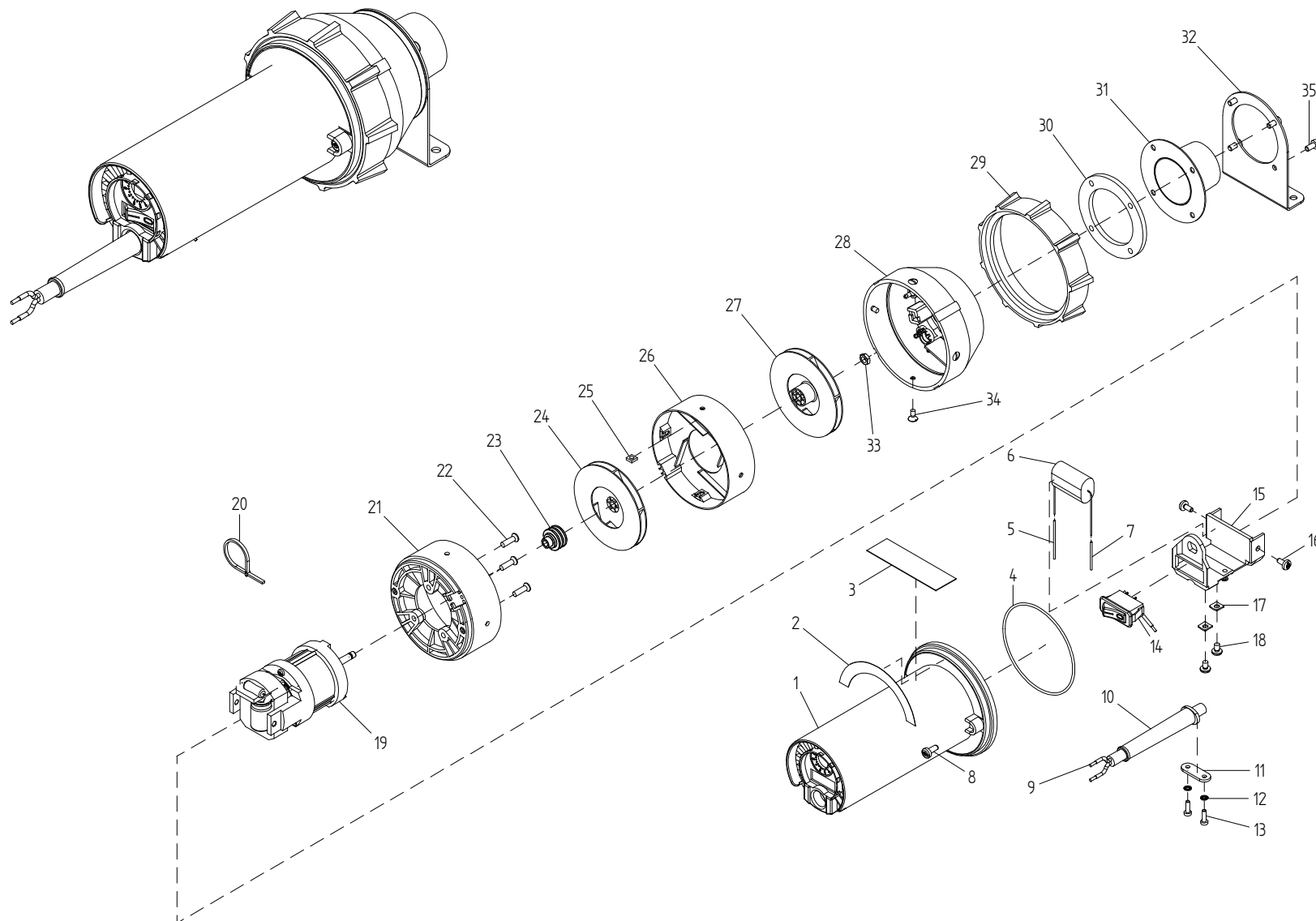



A

B

C

D



Material:				Volume:		
Date	Drawn by	Mono			Sheet	
16.05.2008	bdu				1	
Date	Checked by				of	
			1			
LEISTER Process Technologies CH-6060 Sarnen		Format	Scale		Drawing number	Revision
		A3	%		020.288	01