

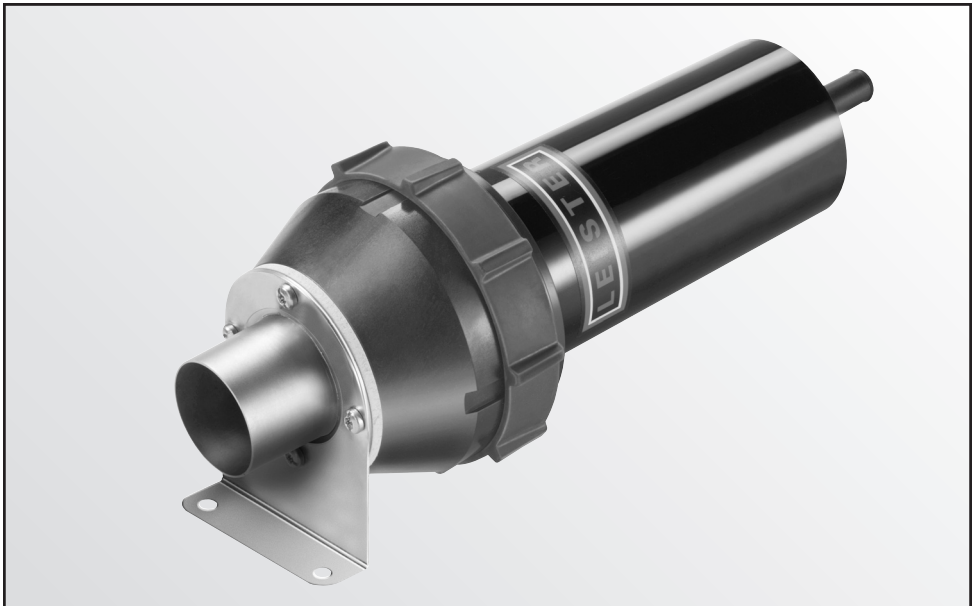
Leister MONO High Pressure Blower



Bedienungsanleitung vor Inbetriebnahme aufmerksam lesen und zur weiteren Verfügung aufbewahren.

Application

- The Leister MONO blower is suitable for installation in machinery, systems or devices, and is designed for maintenance-free continuous operation. Due to its low weight, the blower can also be used as a mobile air-supply unit.
- Air supply of Leister air heaters, for supply of fresh air and for cooling
- It is suitable for delivering air, non combustible, non corrosive and non explosive gases.





Warning



Danger! Unplug the tool before opening it, as live components and connections are exposed.



Caution



The **voltage rating** stated on the tool should correspond to the mains voltage.



For personal protection, we strongly recommend the tool be connected to an **RCCB (Residual Current Circuit Breaker) / GFCI (Ground Fault Circuit Interrupter)** before using it on building sites.



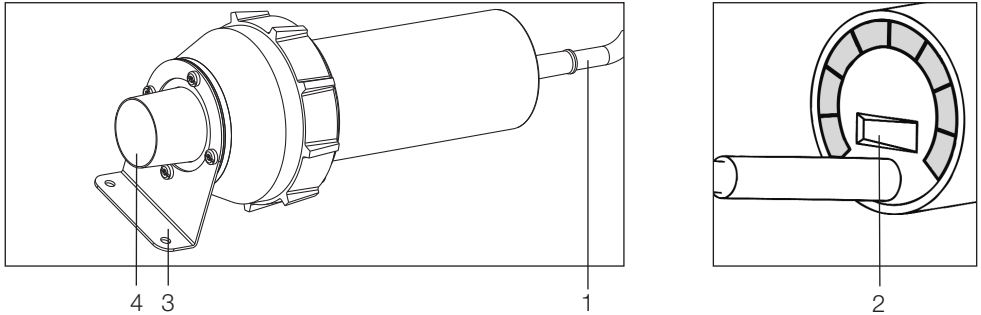
Protect tool from damp and wet.

Technical data

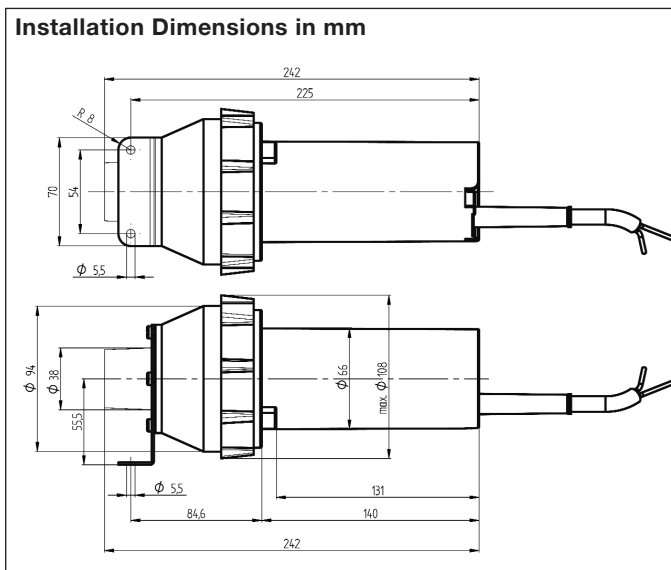
Design		radial compressor
Voltage	V~	230
Capacity	W	230
Frequency	Hz	50/60
Air flow	l/min.	max. 900
Pressure	Pa	5000 (50 mbar)
Noise emission level	L _{pA} (dB)	67
Diameter of air outlet (external Ø)	mm	Ø 38
Ambient temperature	°C	< 60
Weight	kg	1.2 with 3m Mains connection
Size L x W x H	mm	242 x 108 x 110
Mark of conformity		CE
Protection class II		□

100 Pa = 1 mbar

Gerätebeschreibung



- | | |
|---------------------|--|
| 1. Mains connection | 3. Mounting bracket |
| 2. On/off switch | 4. Air outlet/hose connection $\text{Ø} 38 \text{ mm}$ |



Operation

- Mount **air hose to outlet opening (4)** using a hose clip.
Use as short as possible hoses to prevent loss of air volume.
- Connect tool to the mains.
- **Switch on (2).**
- The blower may only draw in air $<60^\circ \text{C}$.
- The MONO high-pressure blower can also be operated without mounting bracket.

Accessories

Foreign air adapter, hose, distributor

Service and repairs

- Repairs should only be carried out by authorized **Leister Service Centres**. They guarantee a specialised and reliable **Repair Service within 24 hours** using original spare parts in accordance with the circuit diagram and spare parts list.

Warranty

- For this tool, we generally provide a warranty of one (1) year from the date of purchase (verified by invoice or delivery document). Damage that has occurred will be corrected by replacement or repair. Heating elements are excluded from this warranty.
- Additional claims shall be excluded, subject to statutory regulations.
- Damage caused by normal wear, overloading or improper handling is excluded from the guarantee.
- Guarantee claims will be rejected for tools that have been altered or changed by the purchaser.

Technical data and specifications are subject to change without prior notice.

Your authorised Service Centre is: