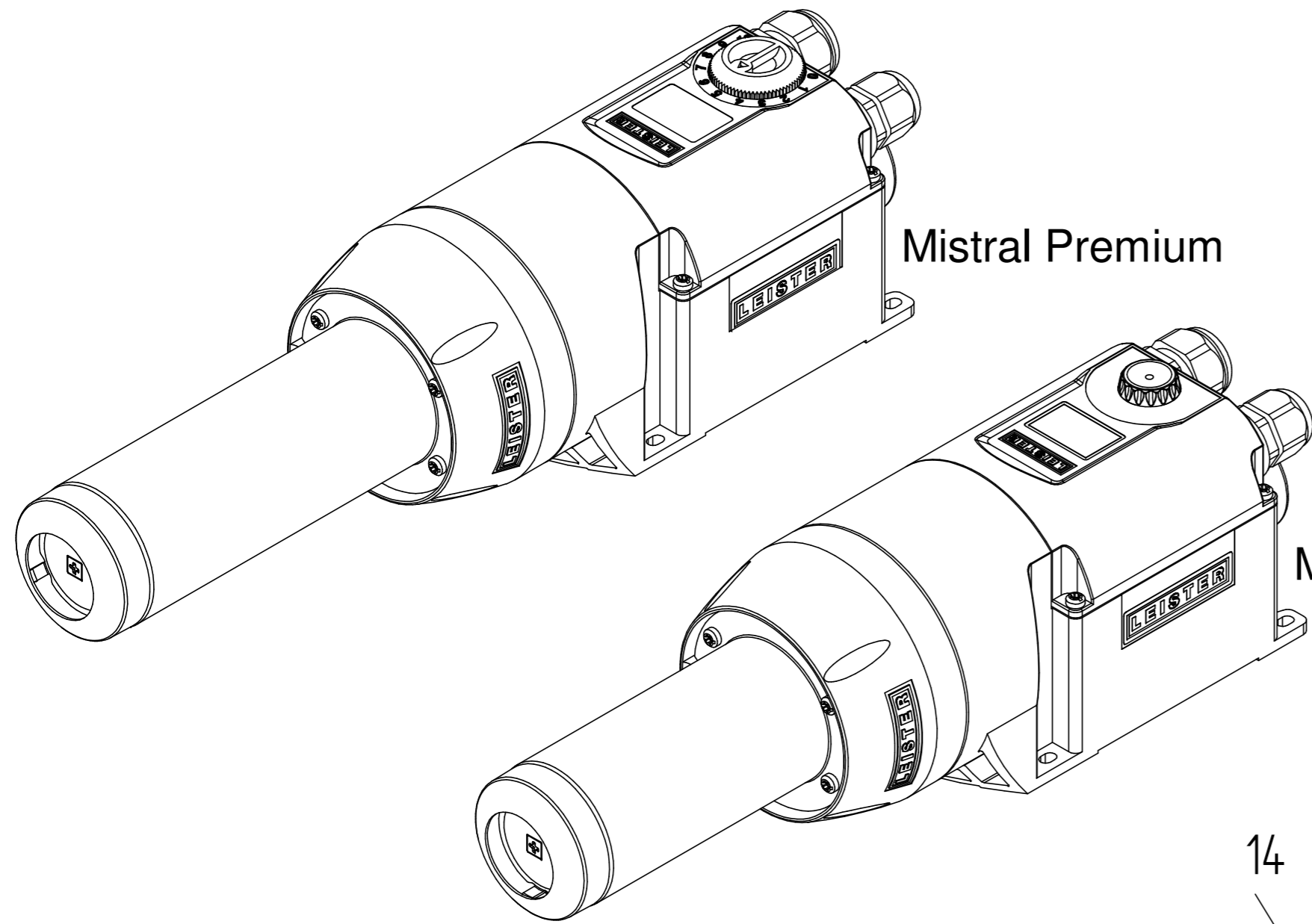


A

B

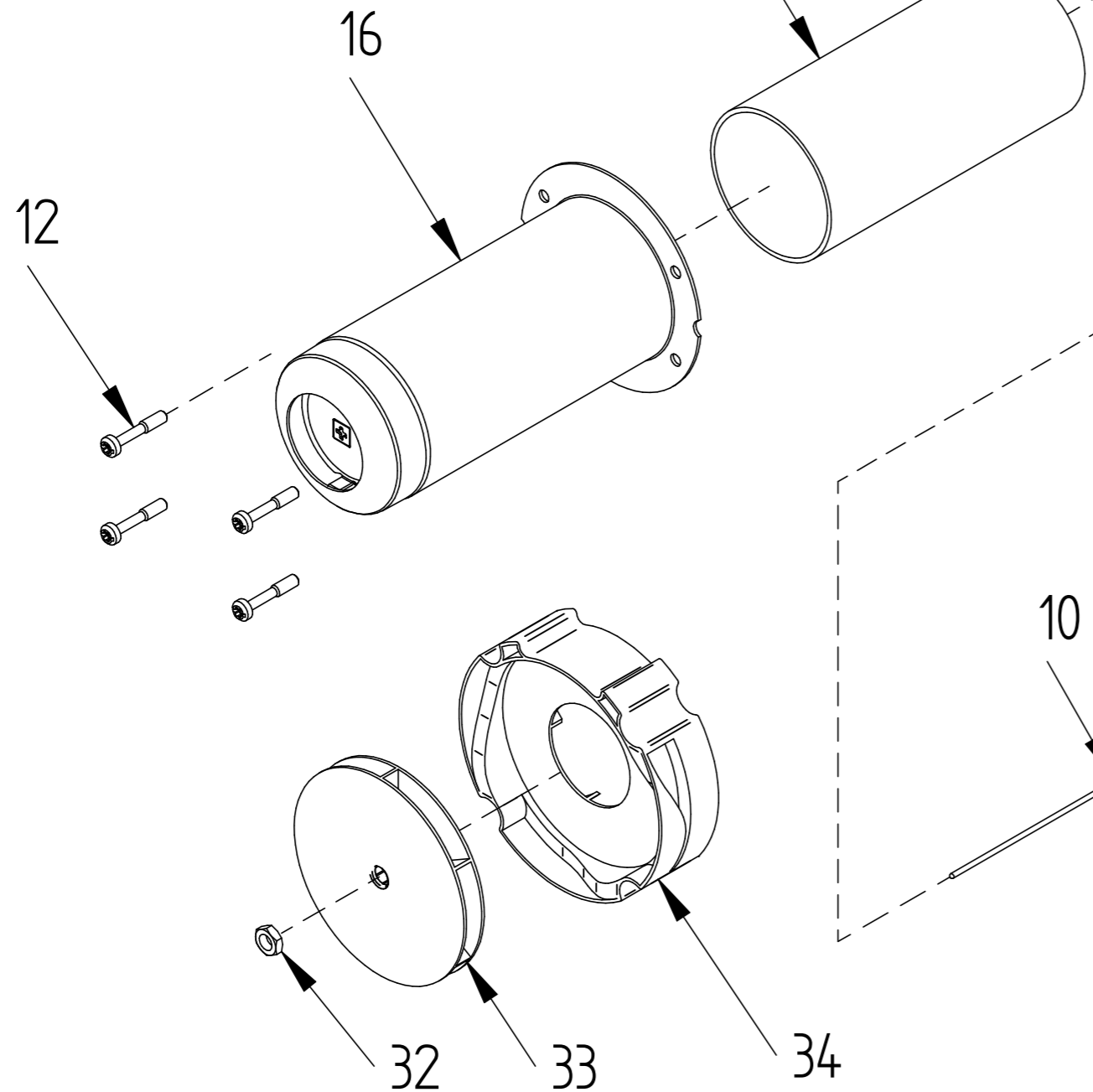
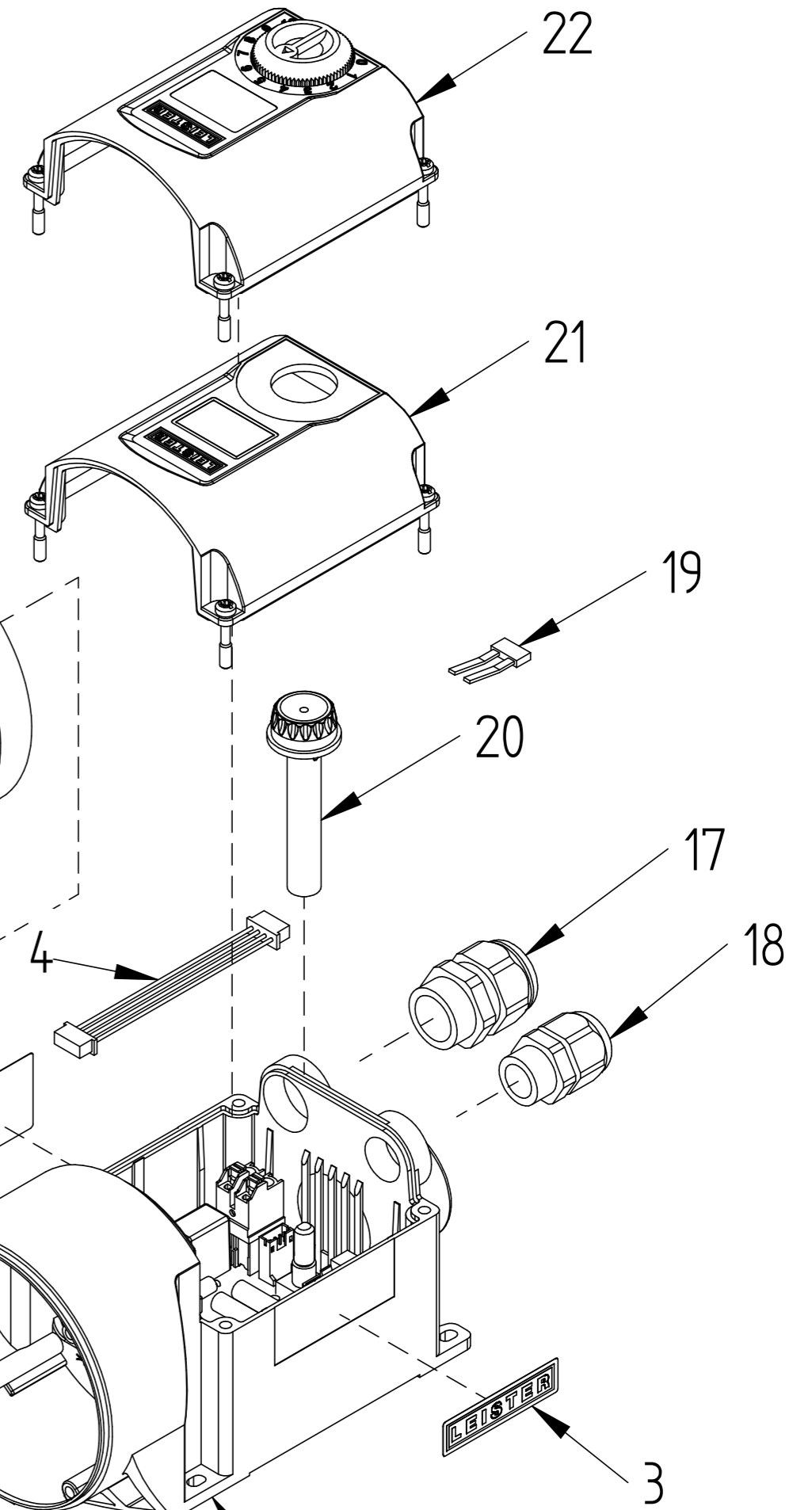
C

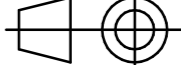
D



Mistral Premium

Mistral System



Material:				Volume:		
Date	Drawn by	Mistral			Sheet	
19.09.2012	ha				1	
Date	Checked by				of	
10.03.2014	gdm				1	
Leister Technologies AG Switzerland		Format	Scale		Drawing number	Revision
		A3	%		020.588	B

This document and the information in it contained are property of LEISTER and as such, they are to be considered reserved.
 © Therefore, any reproduction in any form or by any means, without prior written permission of LEISTER is forbidden.