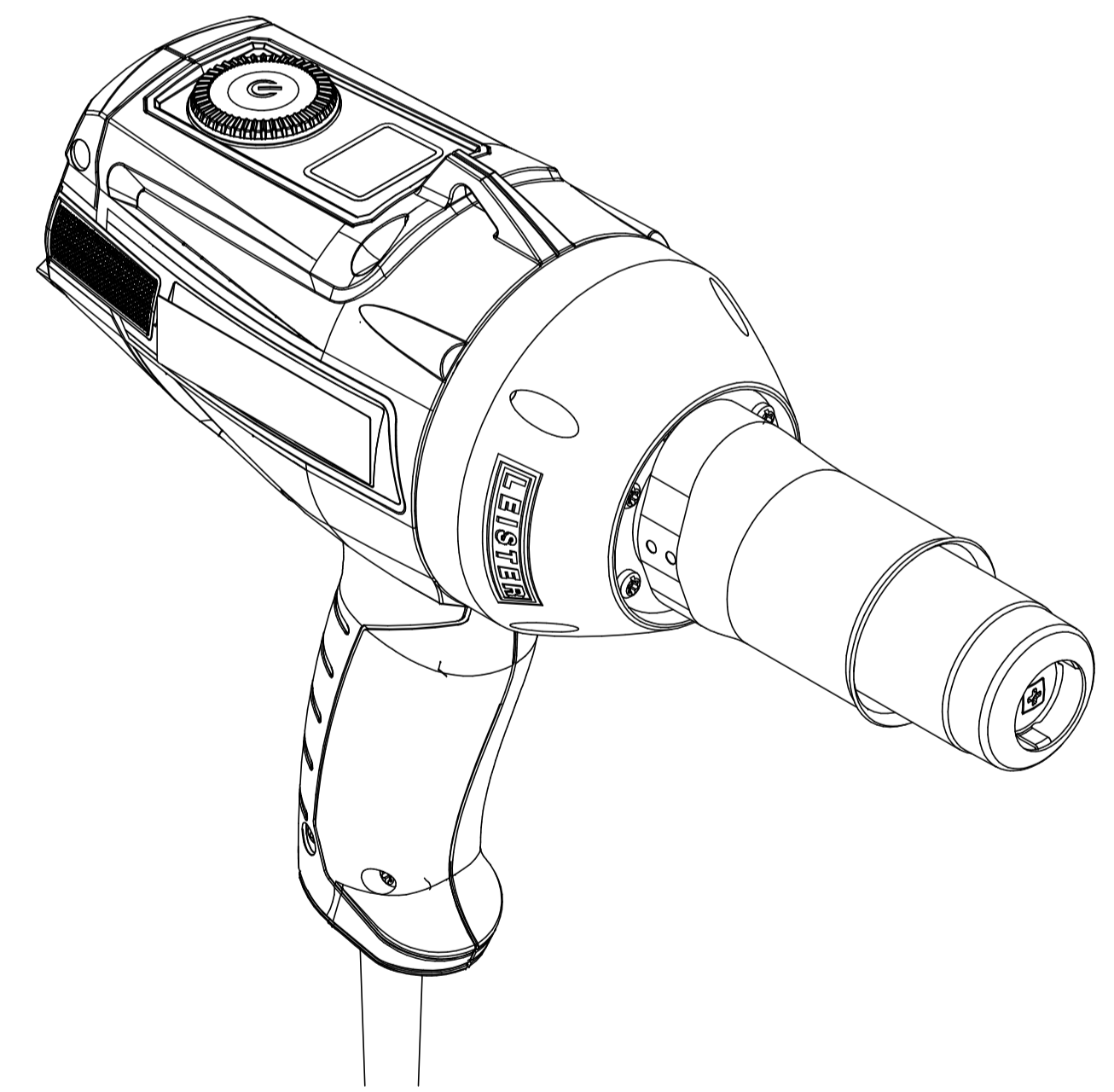
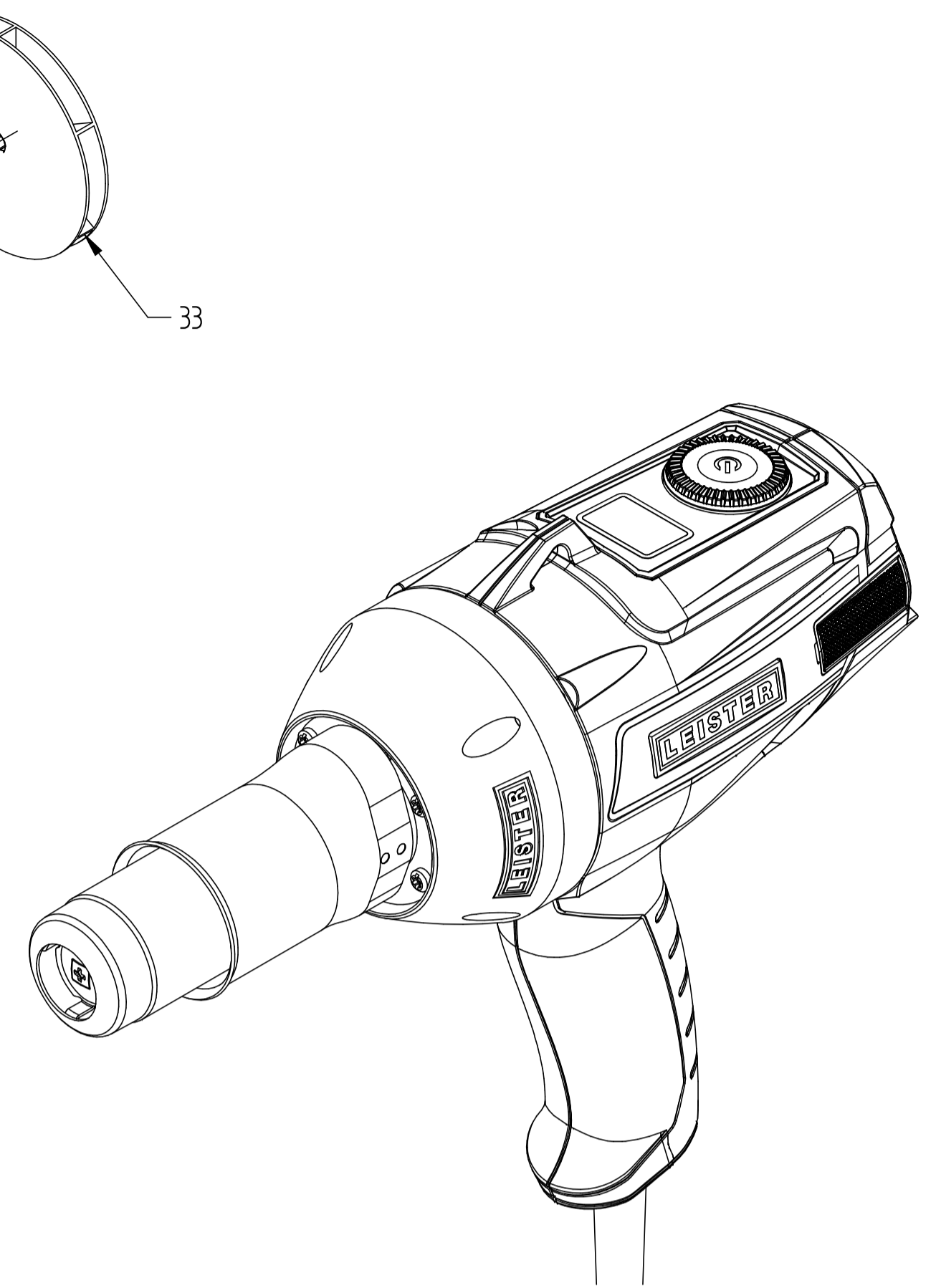
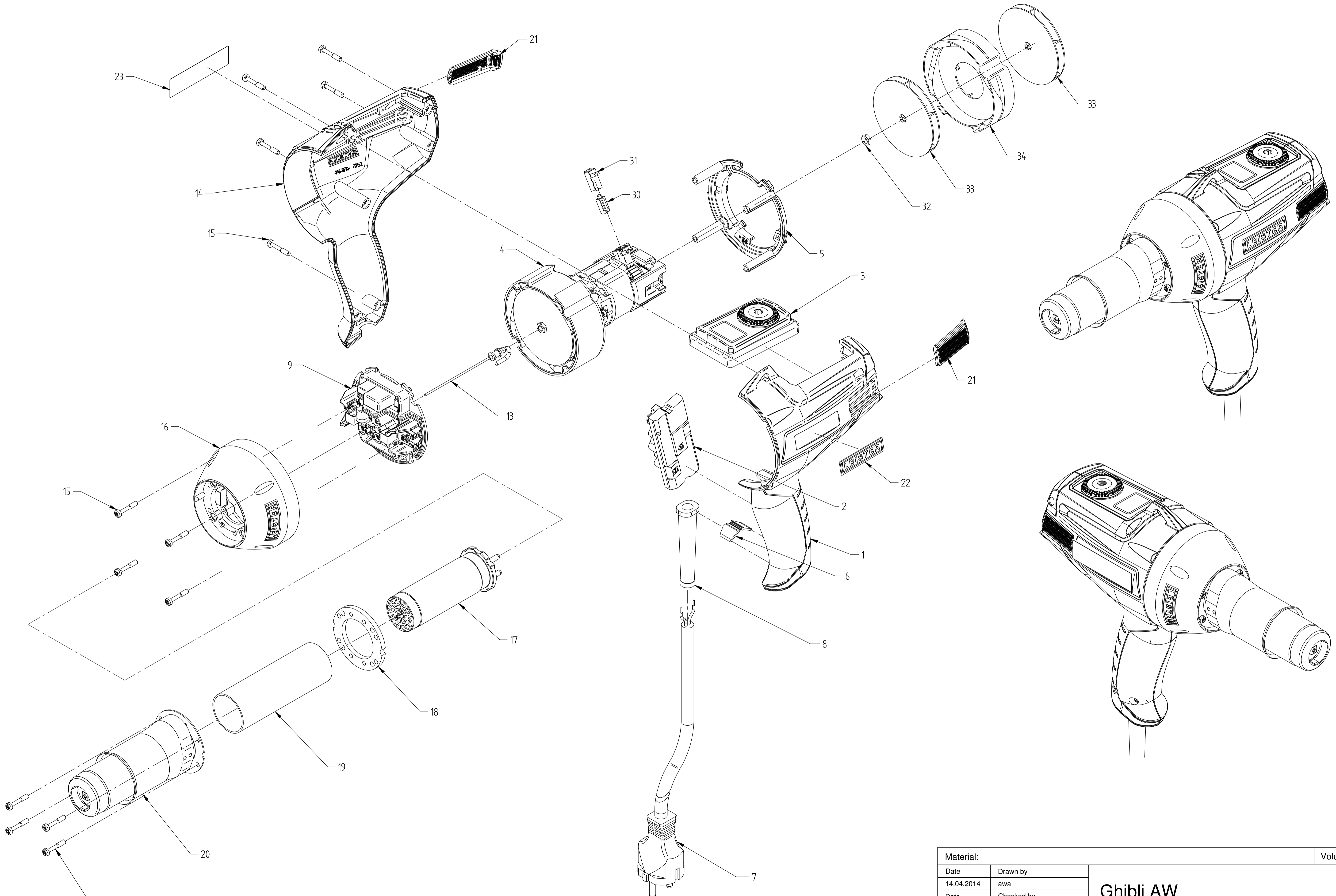


1

2

3

4



Material:		Volume:	
Date	Drawn by	Ghibli AW	Sheet
14.04.2014	awa		1
Date	Checked by	Leister Technologies AG Switzerland	of
14.05.2014	gdm		1
Format	Scale	Drawing number	Revision
	A2		%
			A

This document and the information in it contained are property of LEISTER and as such, they are to be considered reserved.
 © Therefore, any reproduction in any form or by any means, without prior written permission of LEISTER is forbidden.