

A

B

C

D

E

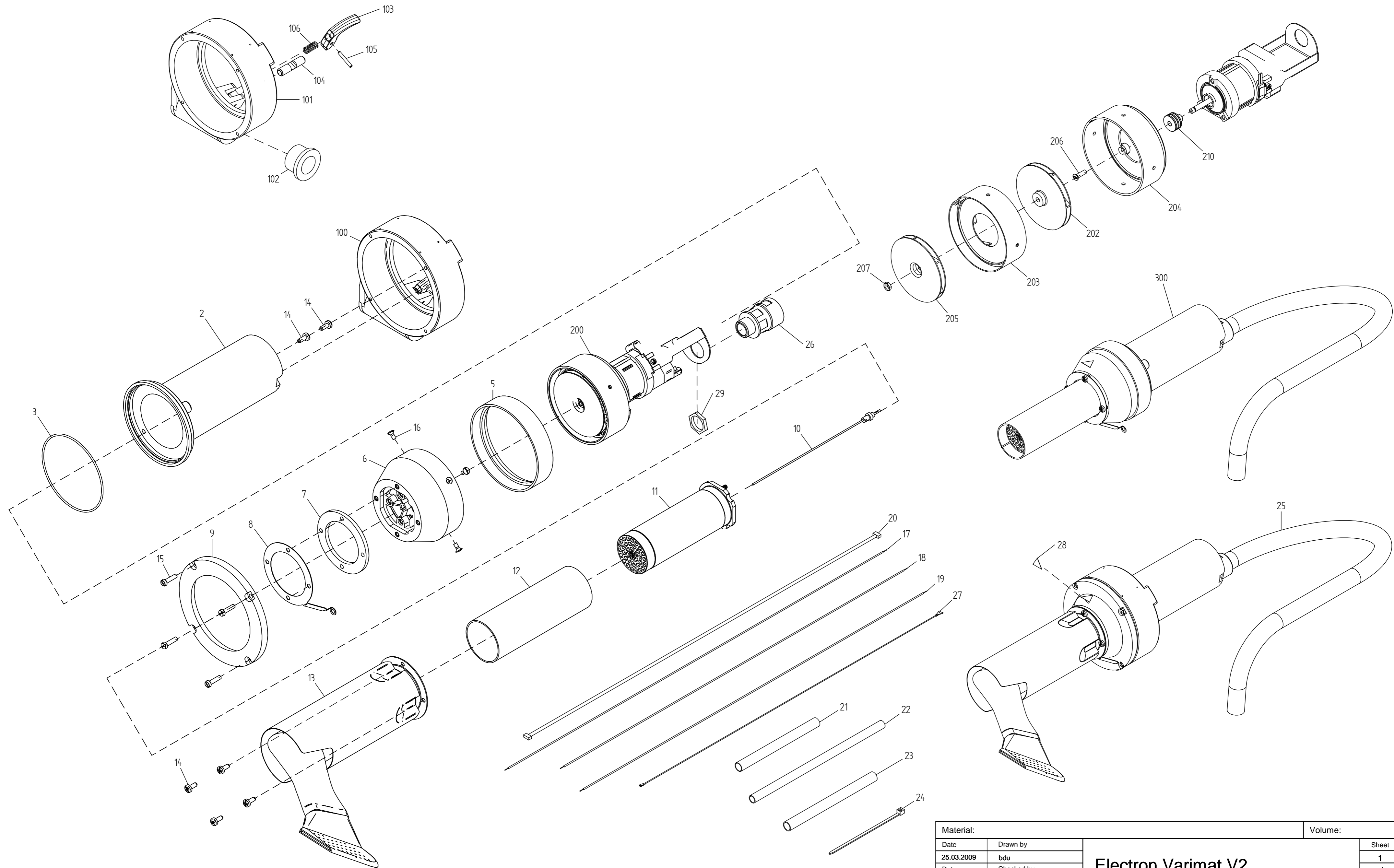
F

1

2

3

4



Material:				Volume:		
Date	Drawn by	<b>Electron Varimat V2</b>			Sheet	
25.03.2009	bdu				1	
Date	Checked by				of	
18.11.2009	gdm				1	
LEISTER Process Technologies CH-6060 Samen		Format	Scale		Drawing number	Revision
		A2	%		020.362	A