

A

B

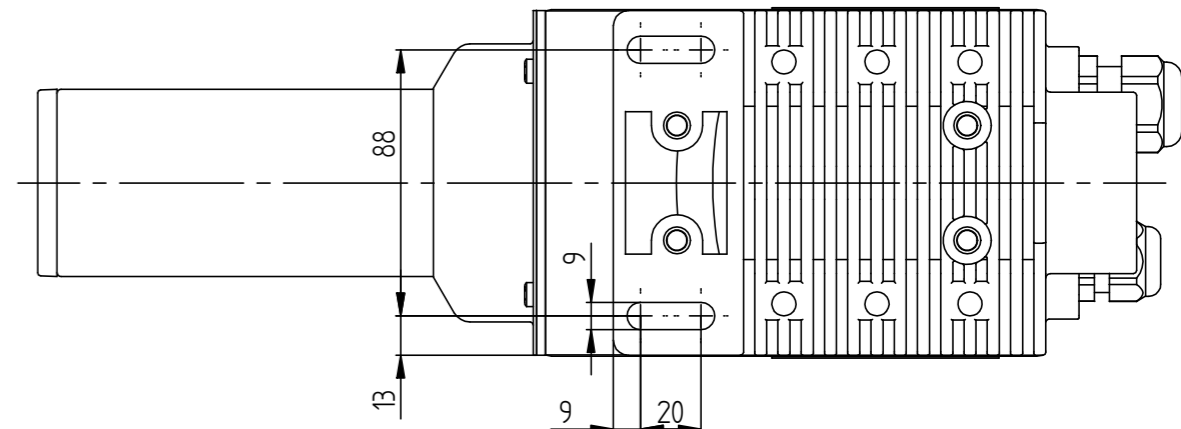
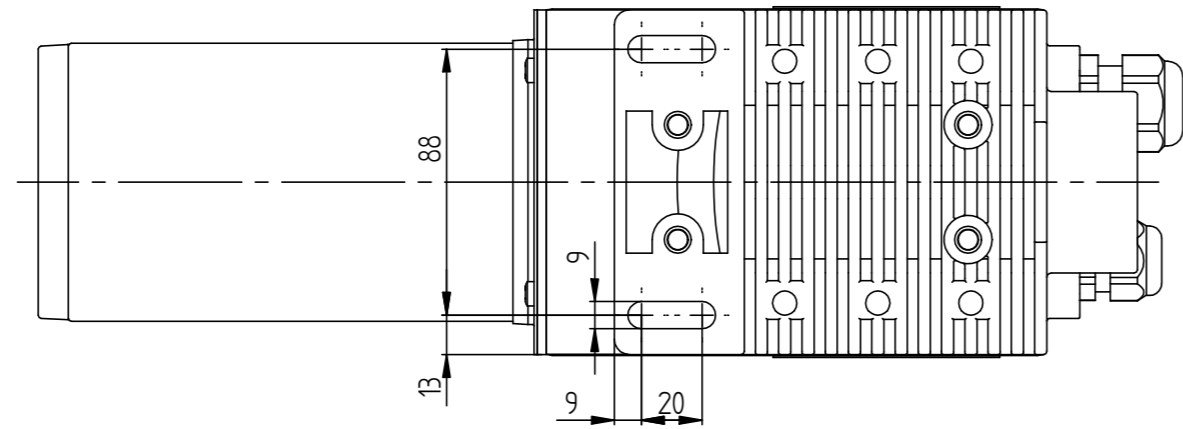
C

D

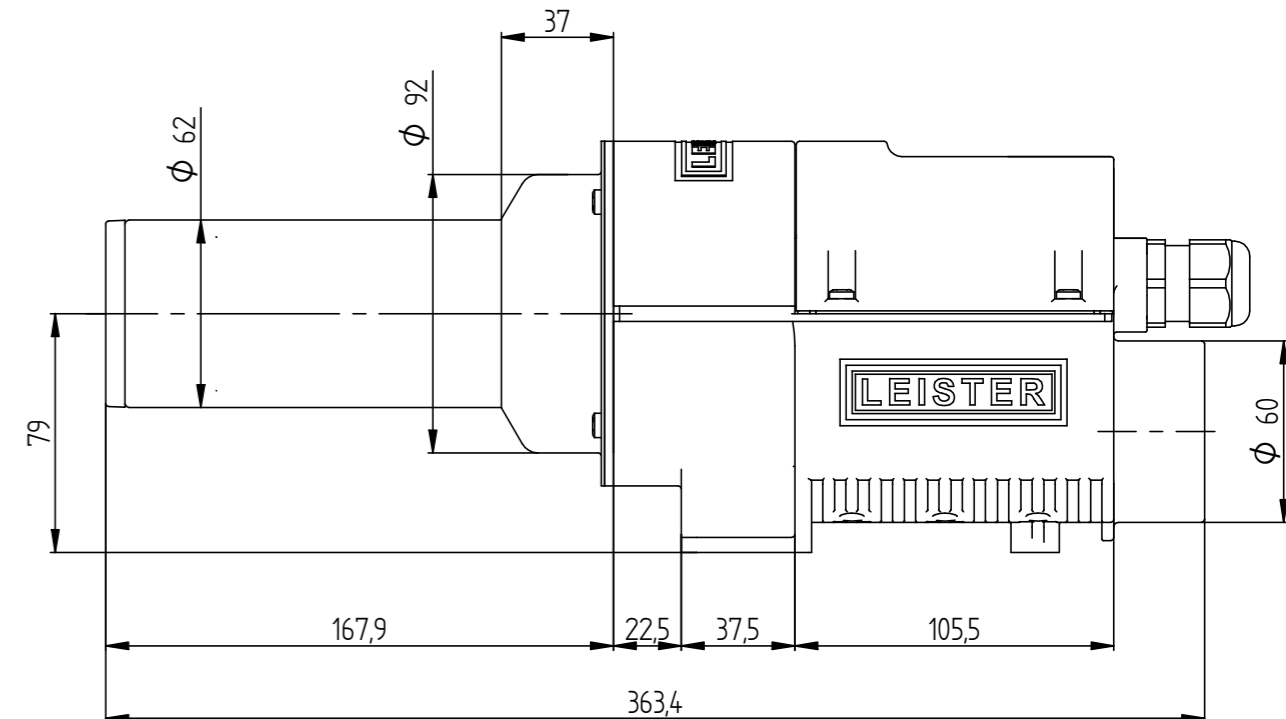
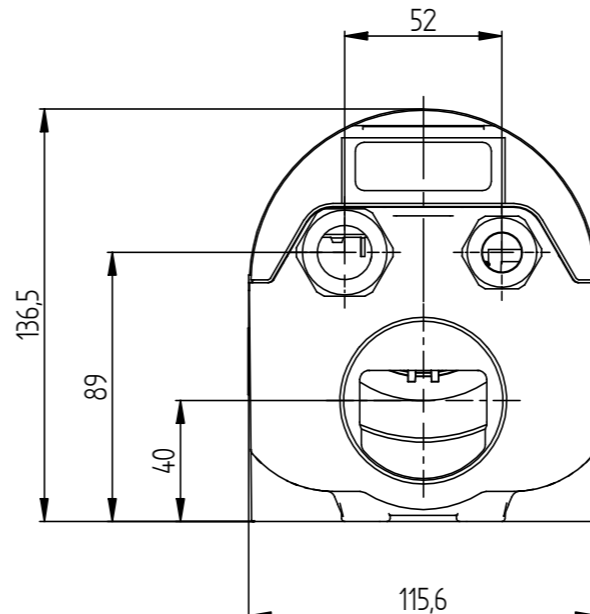
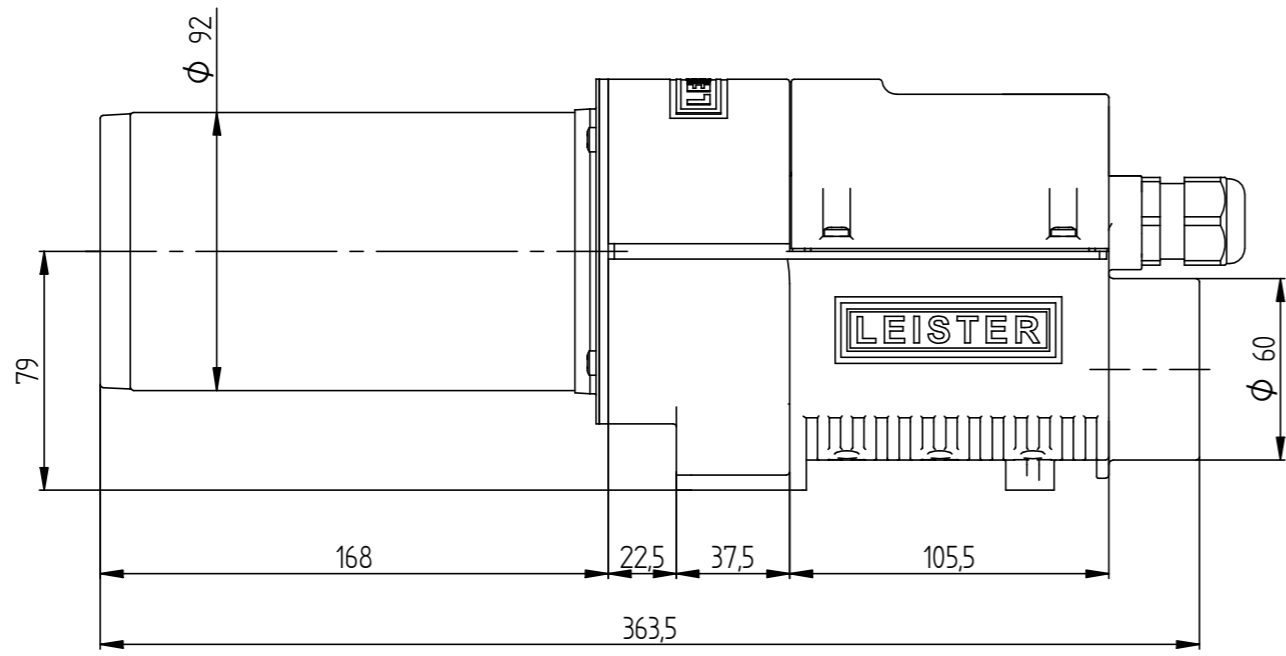
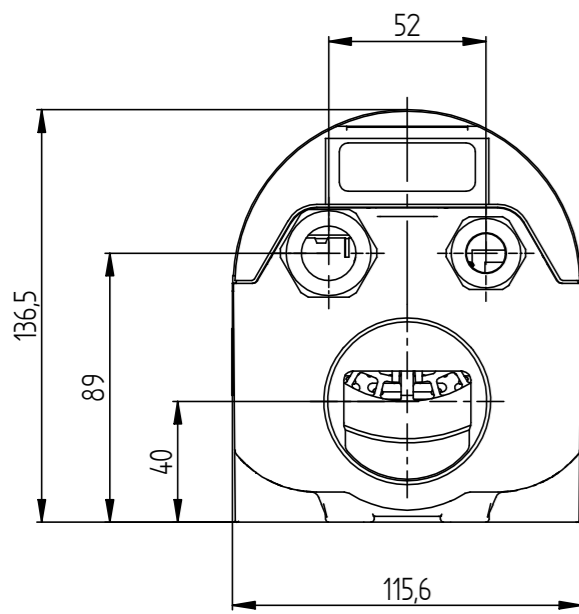
E

F

1



2



LHS Classic 60L

LHS Classic 60S

3

Subject to modifications

4

Material:				Volume:		
Date	Drawn by	LHS Classic 60			Sheet	
02.03.2006	lw				1	
Date	Checked by				of	
				1		
LEISTER Process Technologies CH-6060 Sarnen		Format	Scale		Drawing number	Revision
		A2	%		020.121	01

This document and the information it contains are property of LEISTER and as such, they are to be considered reserved. Therefore, any reproduction in any form or by any means, without prior written permission of LEISTER is forbidden.