

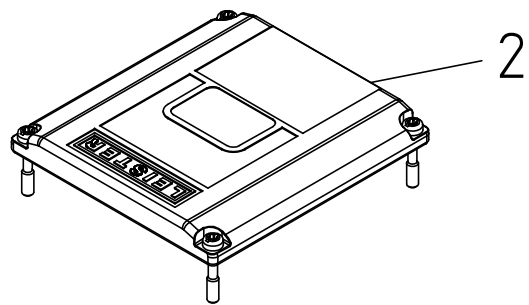
A

B

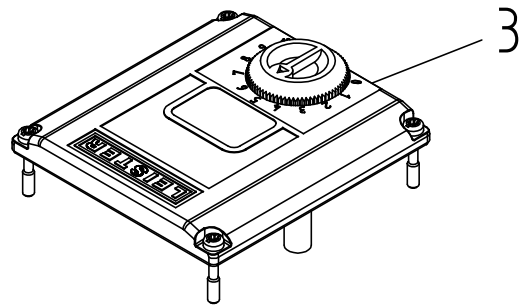
C

D

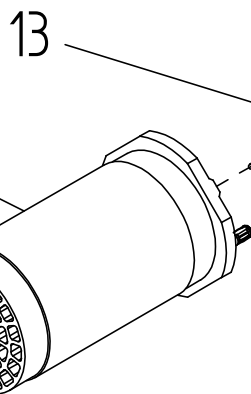
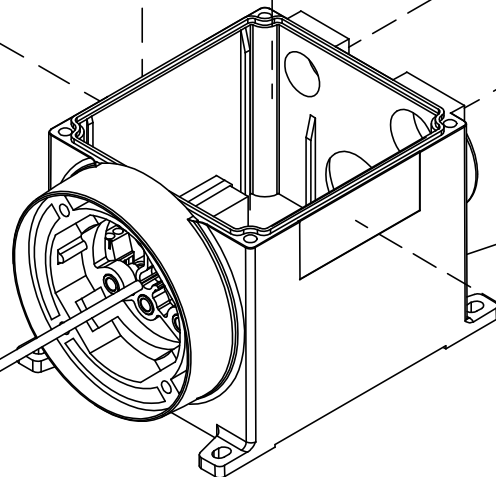
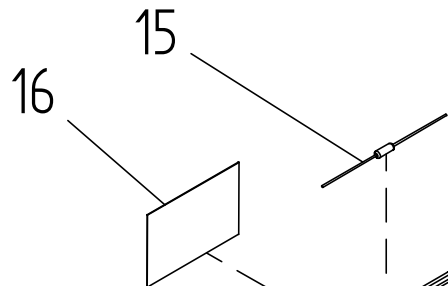
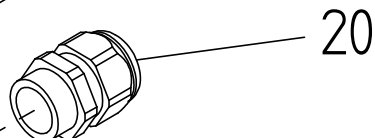
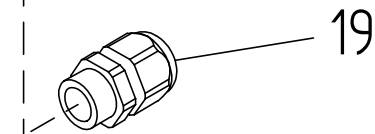
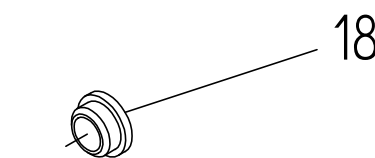
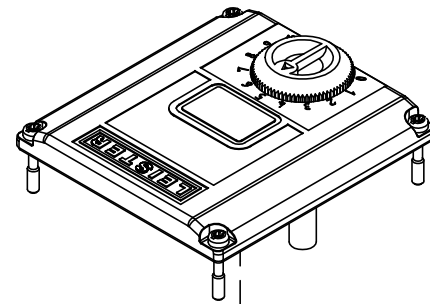
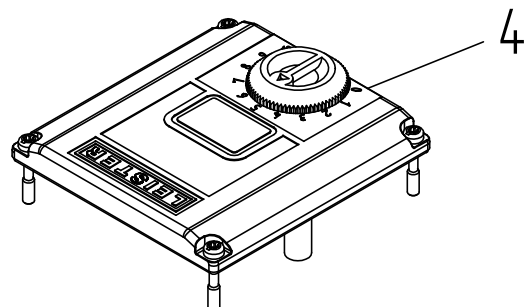
Classic



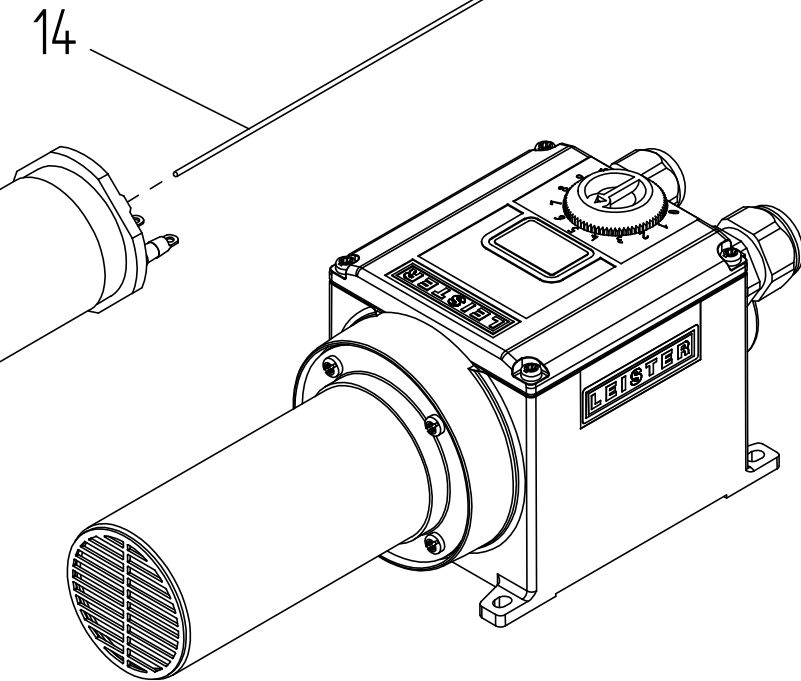
Premium



System

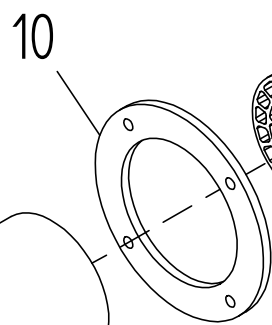


13

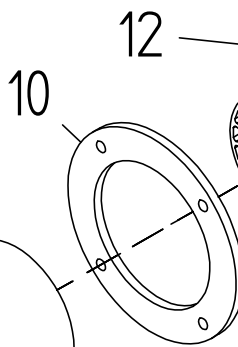


14

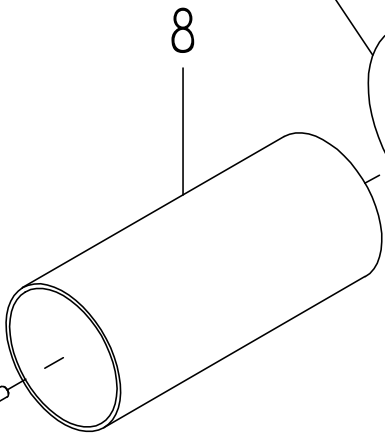
11



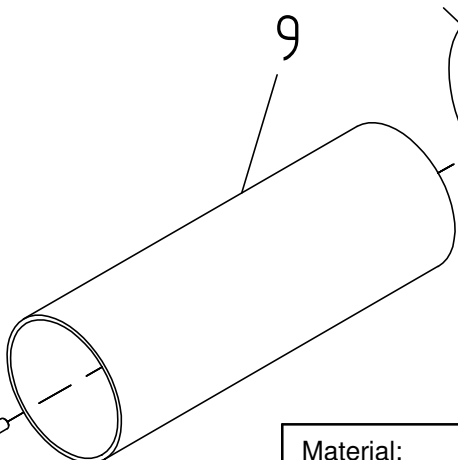
10



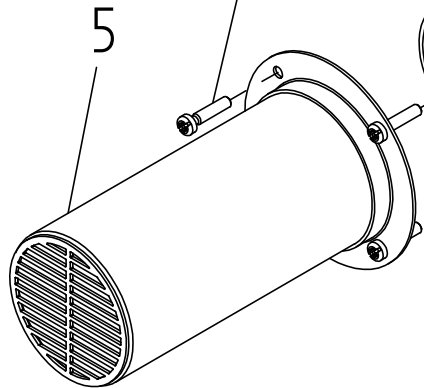
10



8



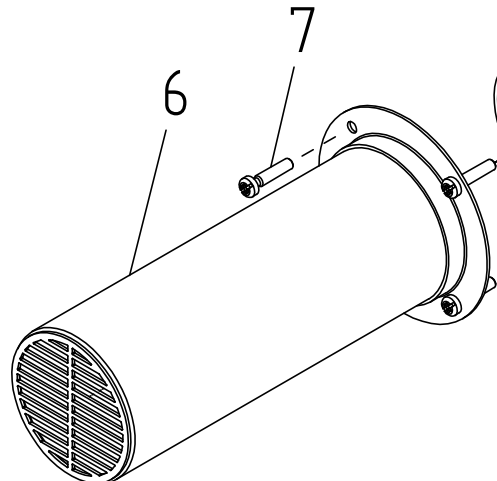
9



5



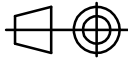
7



6



7

Material:				Volume:		
Date	Drawn by	LHS 41 Classic/Premium/System			Sheet	
15.02.2010	lw				1	
Date	Checked by				of	
13.04.2011	lw	Drawing number			Revision	
LEISTER Process Technologies CH-6056 Kaegiswil		Format	Scale		020.418	A
		A3	%			

This document and the information in it contained are property of LEISTER and as such, they are to be considered reserved. Therefore, any reproduction in any form or by any means, without prior written permission of LEISTER is forbidden.