

A

B

C

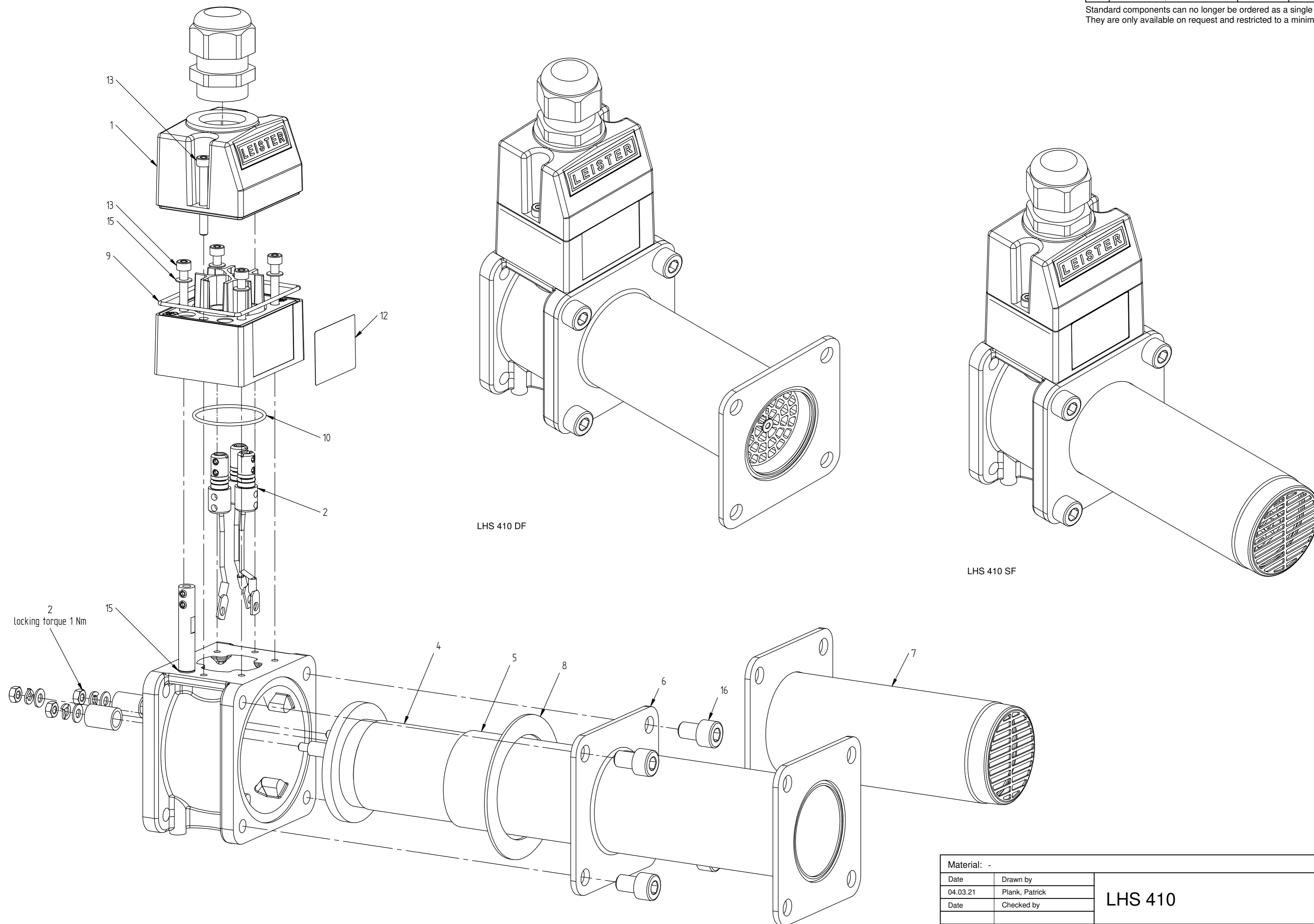
D

E

F

Pos.	Name	Standard	Material	Leister	Bossard
13	Hex socket cap screw M4 x 35	ISO 4762	INOX A2	120.911	1111388
15	Spring washer M4 4.3/8/0.5	DIN 137 A	1.4310	107.733	1250140
16	Hex socket cap screw M8 x 12	ISO 4762	INOX A2	120.928	1233416

Standard components can no longer be ordered as a single unit.
They are only available on request and restricted to a minimum order quantity.



LHS 410 DF

LHS 410 SF

Material: -		Volume:	
Date	Drawn by	LHS 410	Sheet
04.03.21	Plank, Patrick		1
Date	Checked by	LHS 410	of
			2
Leister Technologies AG Switzerland		Format	Scale
		A2	1:1.25
			Drawing number
			020.833
			Revision
			01

Model: 020829-0002.nsm

This document and the information in it contained are property of LEISTER and as such, they are to be considered reserved. Therefore, any reproduction in any form or by any means, without prior written permission of LEISTER is forbidden.