

A

B

C

D

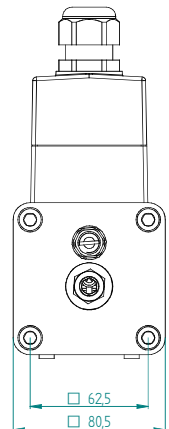
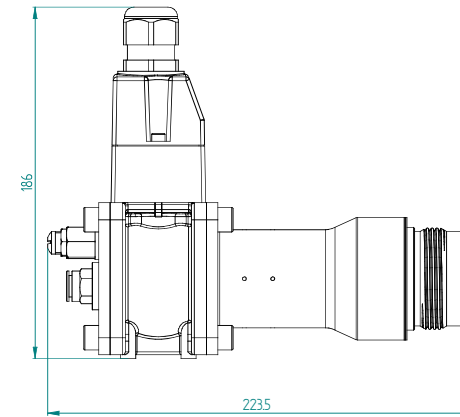
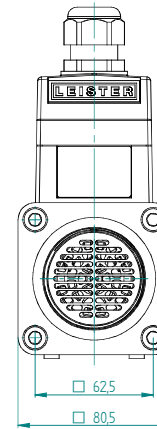
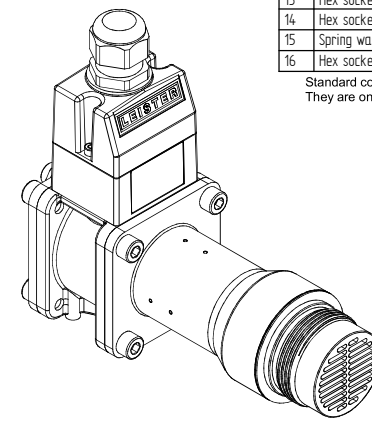
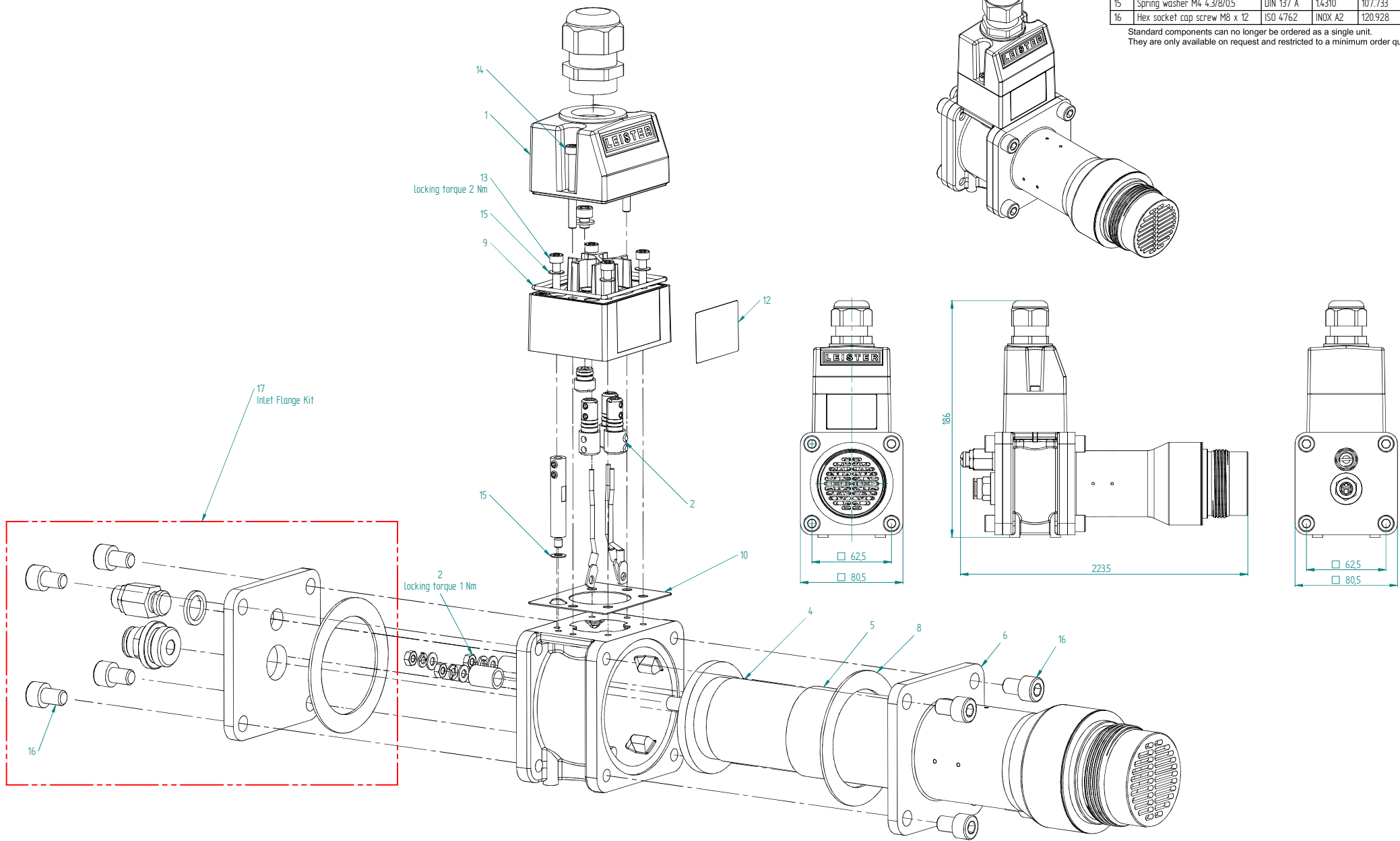
E

F

LHS 410 P

Pos.	Name	Standard	Material	Leister	Bossard
13	Hex socket cap screw M4 x 35	ISO 4762	INOX A2	120.911	1111388
14	Hex socket cap screw M4 x 40	ISO 4762	INOX A2	112.503	1111396
15	Spring washer M4 4.3/8/0.5	DIN 137 A	1.4310	107.733	1250140
16	Hex socket cap screw M8 x 12	ISO 4762	INOX A2	120.928	1233416

Standard components can no longer be ordered as a single unit.  
They are only available on request and restricted to a minimum order quantity.



Material: -				Volume:		
Date	Drawn by	LHS 410 P			Sheet	
04.03.21	Plank, Patrick				5	
Date	Checked by				of	
22.01.26	Egli, Justin		5			
Leister Technologies AG Switzerland		Format	Scale		Drawing number	Revision
		A2	1:2		020.833	C

Model: 020829-0002.gsm