

A

B

C

D

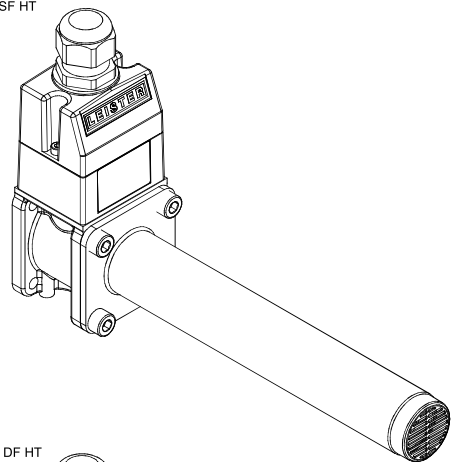
E

F

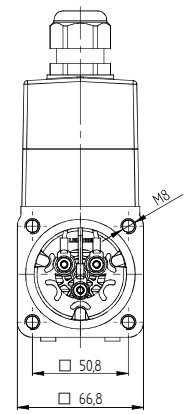
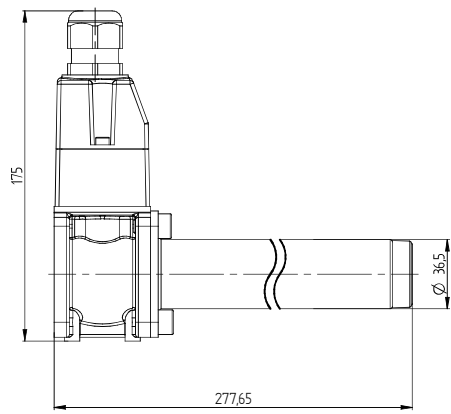
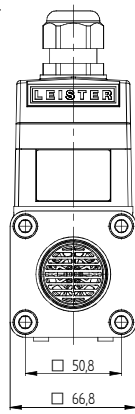
Pos.	Name	Standard	Material	Leister	Bossard
13	Hex socket cap screw M4 x 35	ISO 4762	INOX A2	120.911	1111388
15	Spring washer M4 4.3/8/0.5	DIN 137 A	1.4310	107.733	1250140
16	Hex socket cap screw M8 x 12	ISO 4762	INOX A2	120.928	1233416

Standard components can no longer be ordered as a single unit.
They are only available on request and restricted to a minimum order quantity.

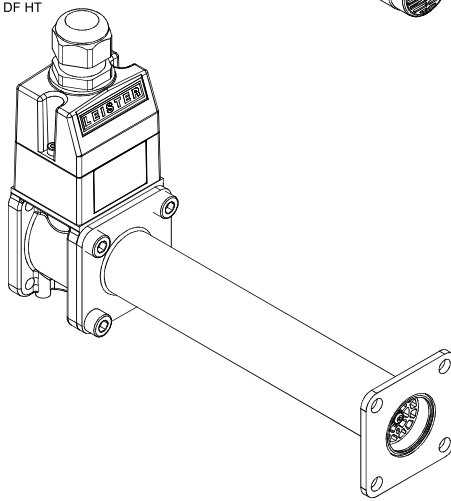
LHS 210 SF HT



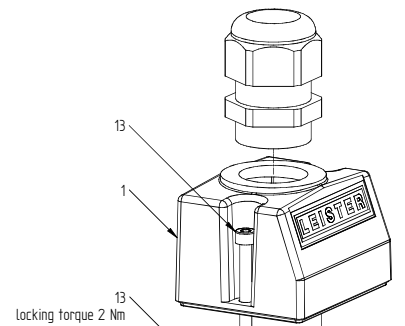
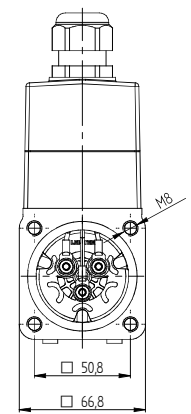
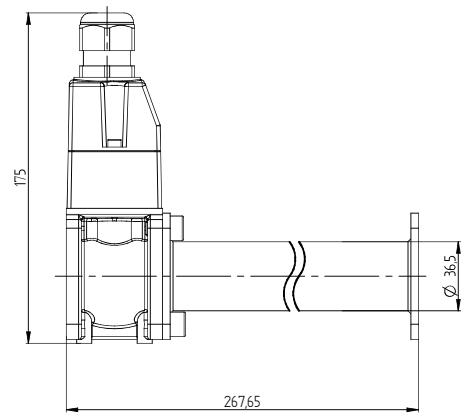
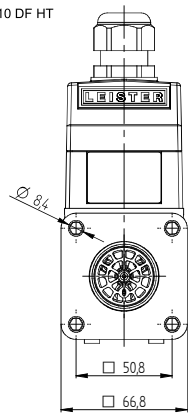
LHS 210 SF HT



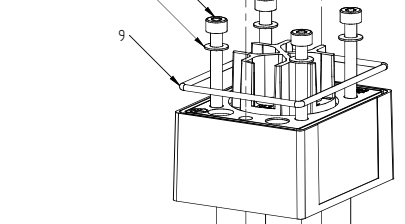
LHS 210 DF HT



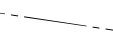
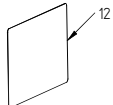
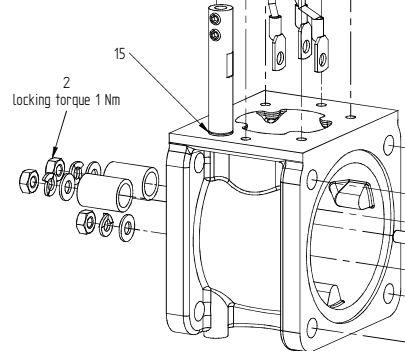
LHS 210 DF HT



locking torque 2 Nm



locking torque 1 Nm



Material: -		Volume:	
Date	Drawn by	LHS 210 SF HT / DF HT	Sheet
14.06.21	Plank, Patrick		3
Date	Checked by		of
30.08.23	Plank, Patrick		4
Leister Technologies AG Switzerland		Format	Scale
		A2	1:2
			Drawing number
			020.832
			Revision
			A

This document and its contents are the property of LEISTER and are not to be distributed, copied, or otherwise used without the prior written permission of LEISTER. © LEISTER 2023