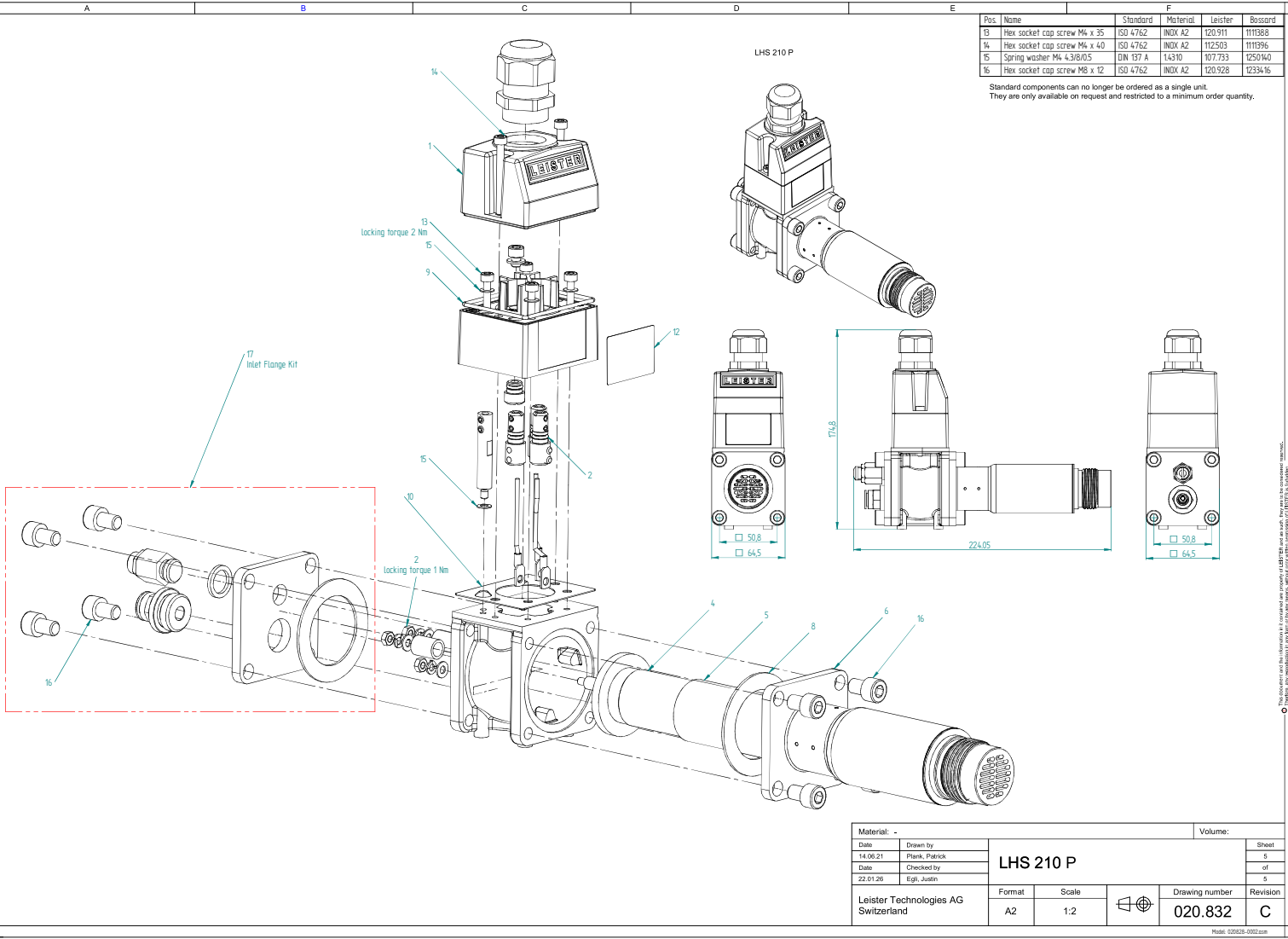


Pos.	Name	Standard	Material	Leister	Boscard
13	Hex socket cap screw M4 x 35	ISO 4762	INOX A2	120.911	1110386
14	Hex socket cap screw M4 x 40	ISO 4762	INOX A2	112503	1110396
15	Spring washer M4 4.3/8/0.5	DN 197 A	14310	107.793	1250140
16	Hex socket cap screw M8 x 12	ISO 4762	INOX A2	120.928	1233416

Standard components can no longer be ordered as a single unit.
They are only available on request and restricted to a minimum order quantity.



Material: -		Volume:	
Date	Drawn by	LHS 210 P	Sheet
14.06.21	Plank, Patrick		5
Date	Checked by		of
22.01.26	Egli, Justin		5
Leister Technologies AG Switzerland		Format	Scale
		A2	1:2
		Drawing number	Revision
		020.832	C

The information on this document is the property of Leister Technologies AG. It is not to be disseminated outside the company without the written consent of Leister Technologies AG.