

A

B

C

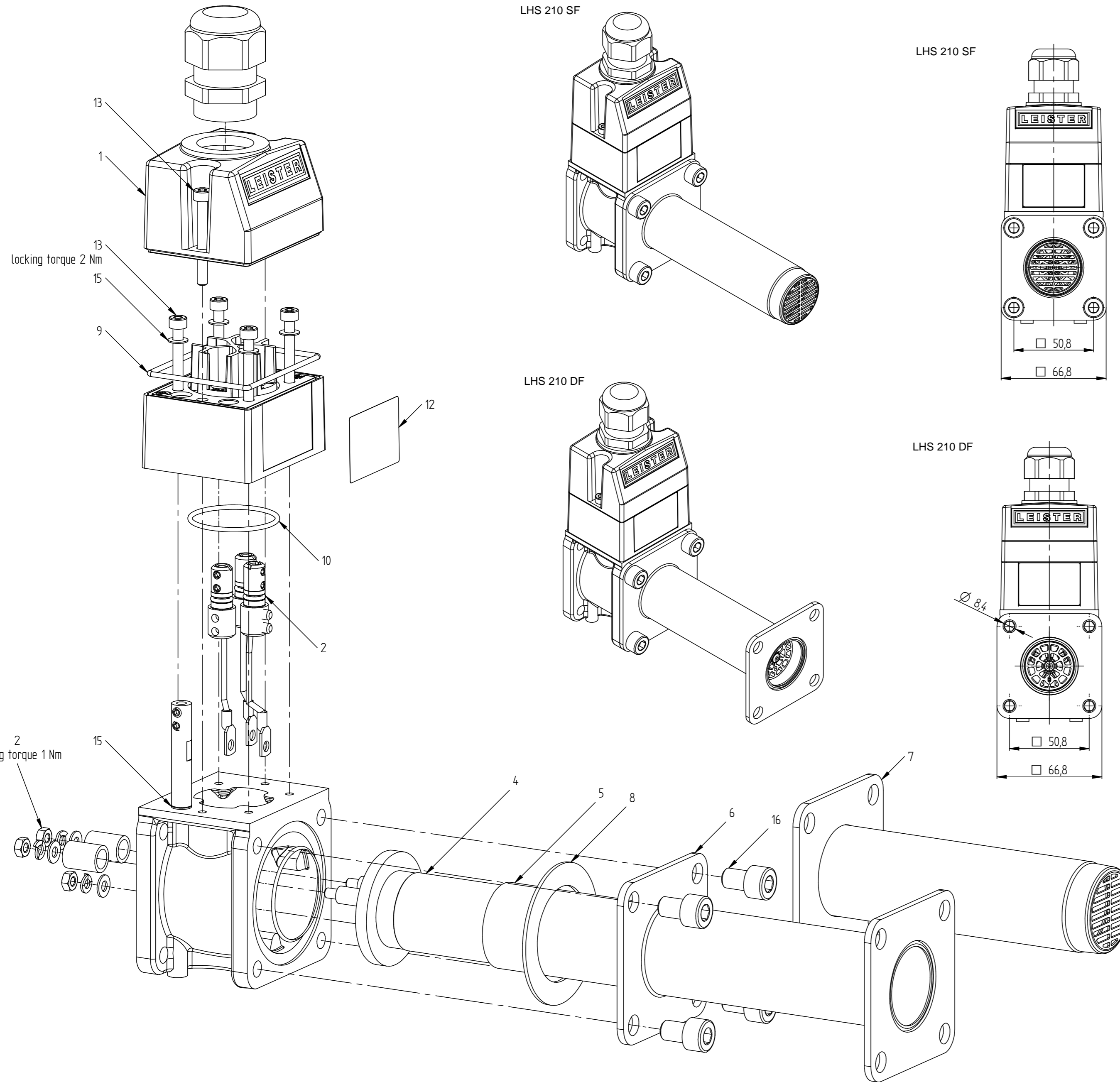
D

E

F

Pos.	Name	Standard	Material	Leister	Bossard
13	Hex socket cap screw M4 x 35	ISO 4762	INOX A2	120.911	1111388
15	Spring washer M4 4.3/8/0.5	DIN 137 A	1.4310	107.733	1250140
16	Hex socket cap screw M8 x 12	ISO 4762	INOX A2	120.928	1233416

Standard components can no longer be ordered as a single unit.
They are only available on request and restricted to a minimum order quantity.

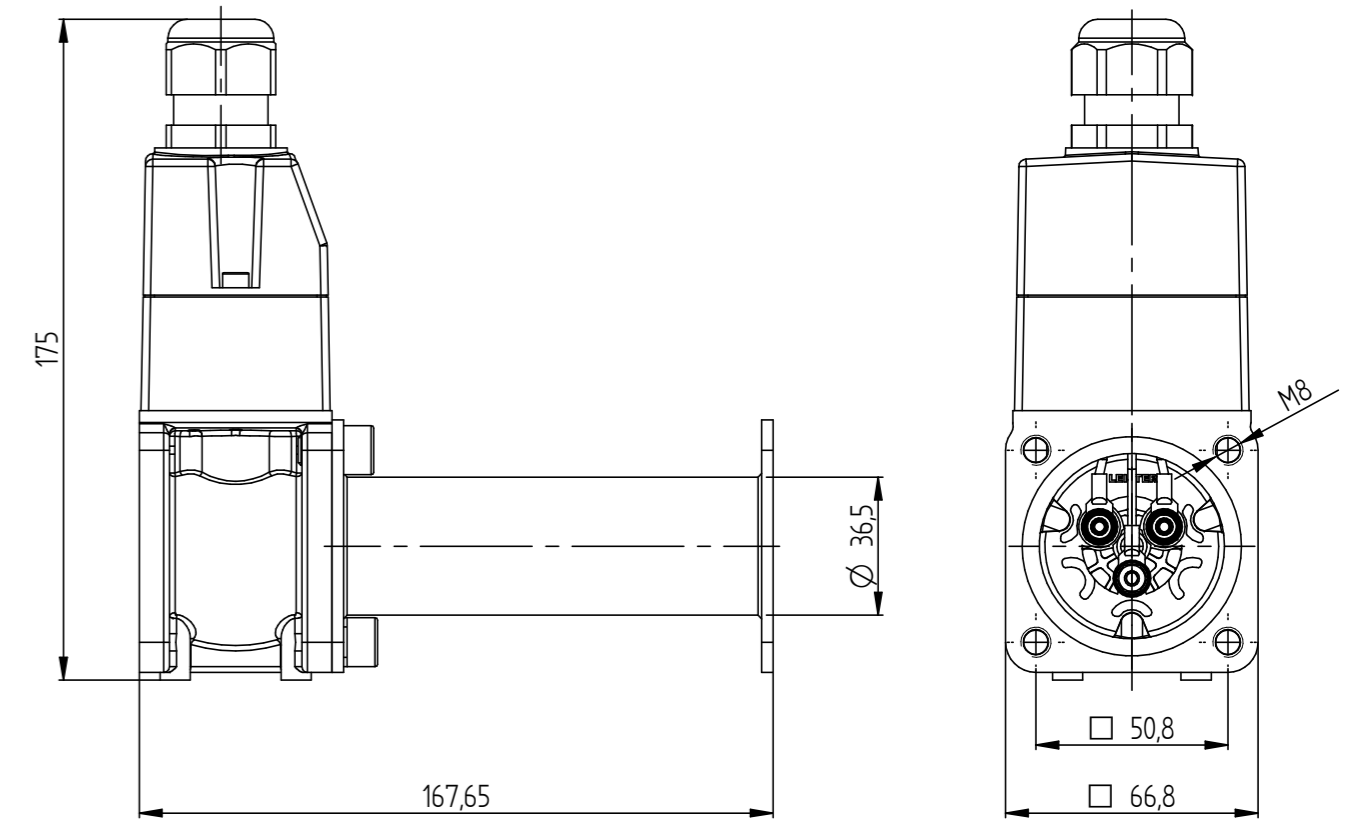
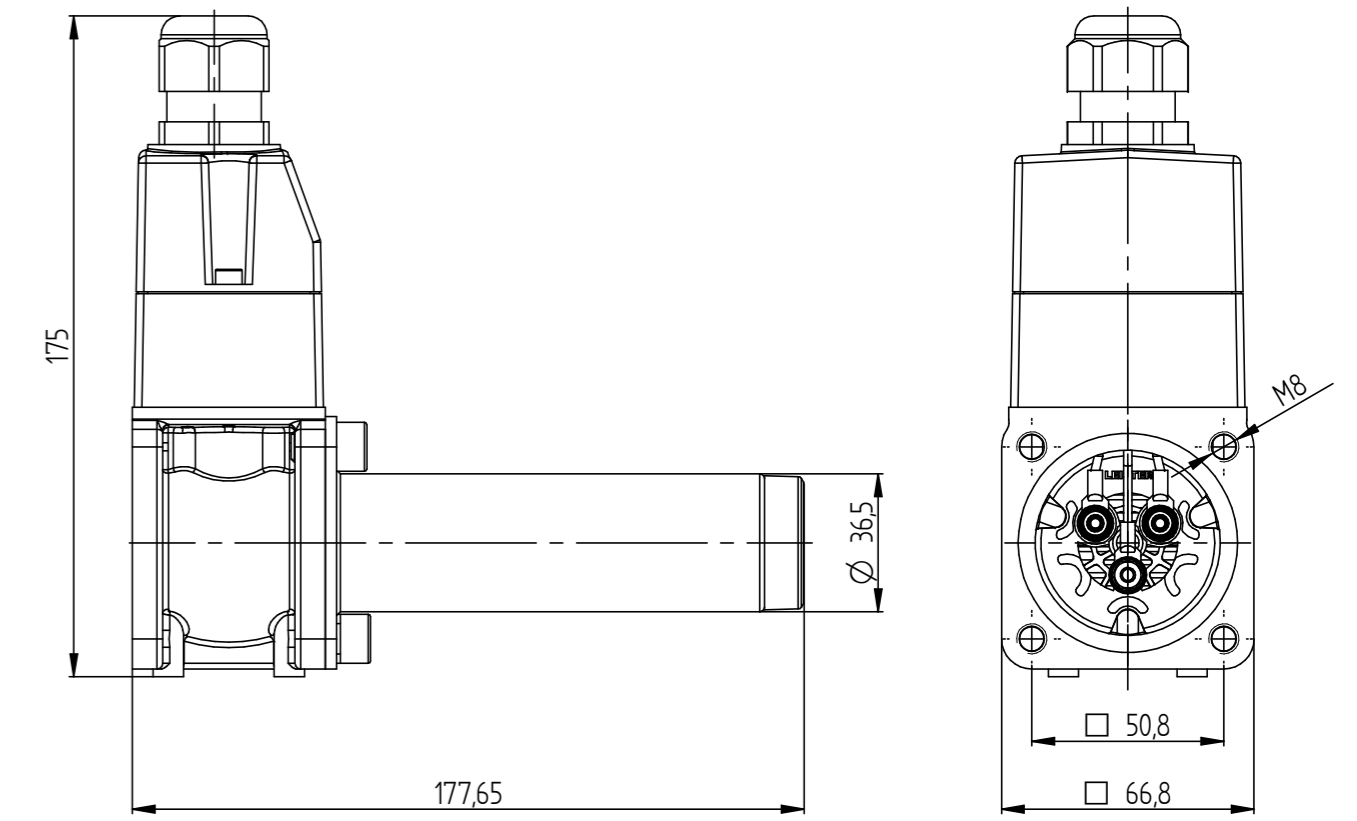


LHS 210 SF

LHS 210 SF

LHS 210 DF

LHS 210 DF



Material: -			Volume:	
Date	Drawn by	LHS 210 SF / DF	Sheet	1
14.06.21	Plank, Patrick		of	4
Date	Checked by		Format	Scale
30.08.23	Plank, Patrick		A2	1:2
Leister Technologies AG Switzerland			Drawing number	Revision
			020.832	A

Model: 020828-0002.nsm