

A

B

C

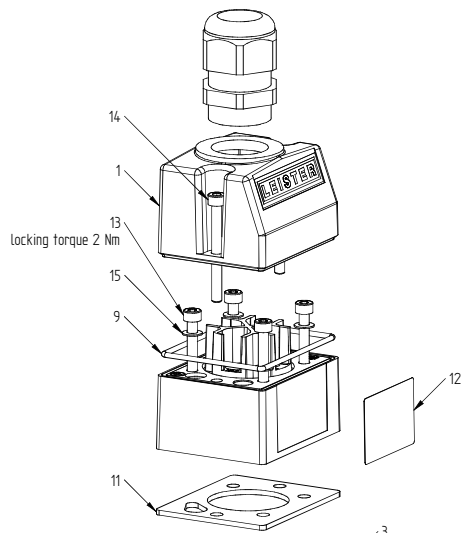
D

E

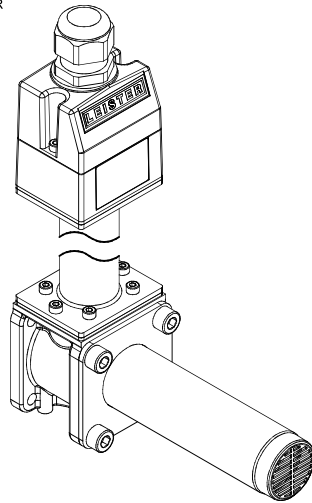
F

Pos.	Name	Standard	Material	Leister	Bossard
13	Hex socket cap screw M4 x 35	ISO 4762	INOX A2	120.911	1111388
14	Hex socket cap screw M4 x 40	ISO 4762	INOX A2	112.503	1111396
15	Spring washer M4 4.3/8/0.5	DIN 137 A	1.4310	107.733	1250140
17	Hex socket cap screw M8 x 12	ISO 4762	Steel	111.118	1004522
18	Hex socket cap screw M4 x 10	ISO 4762	INOX A2	120.809	1233203

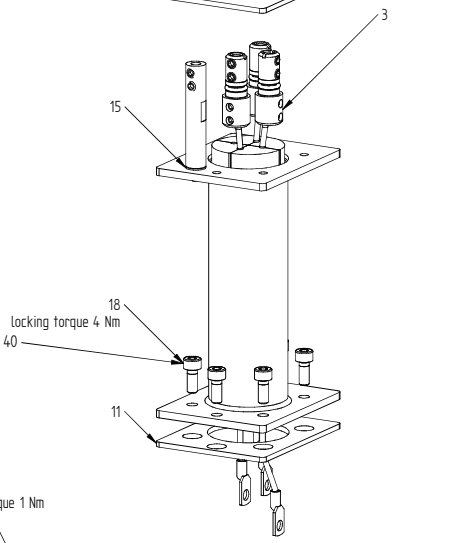
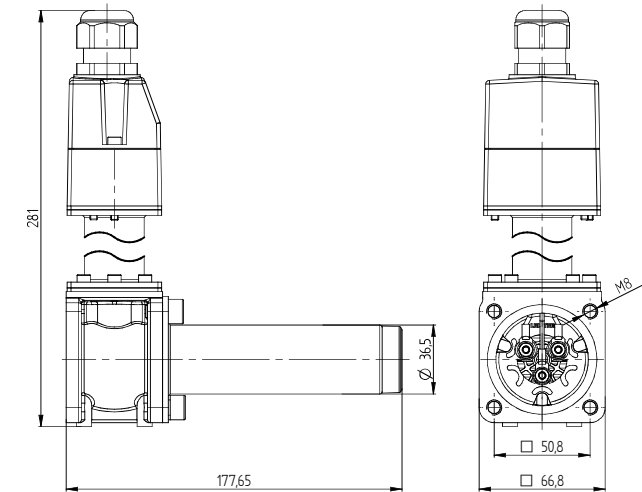
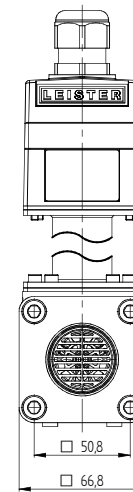
Standard components can no longer be ordered as a single unit.
They are only available on request and restricted to a minimum order quantity.



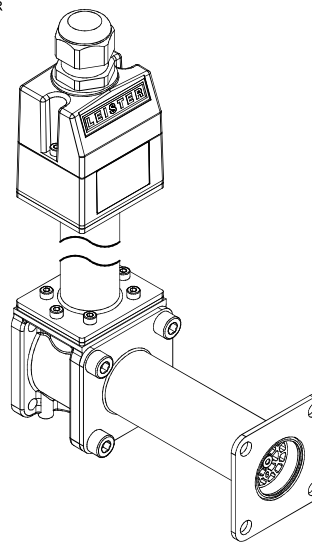
LHS 210 SF-R



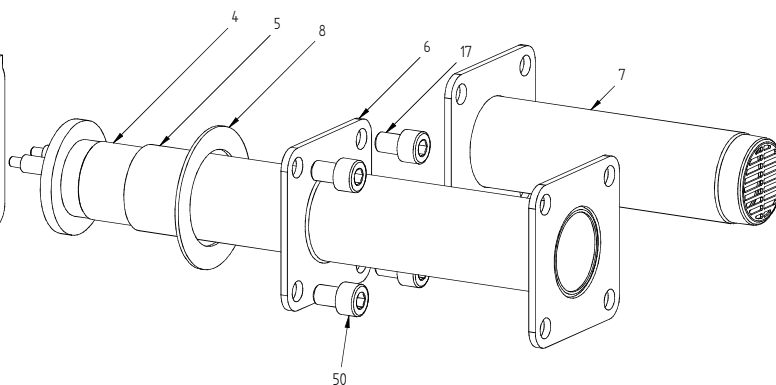
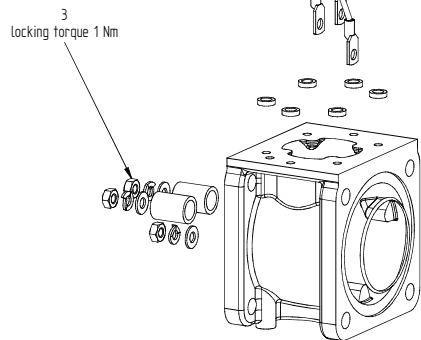
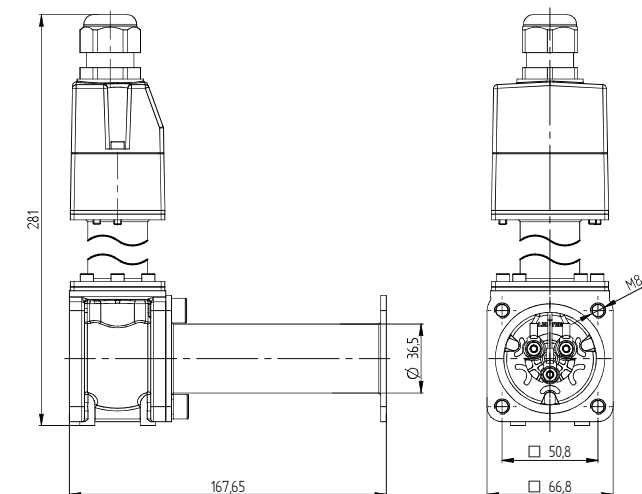
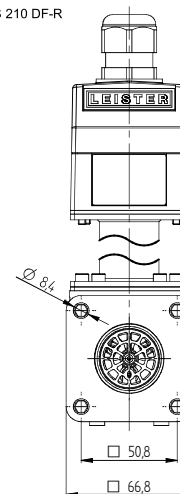
LHS 210 SF-R



LHS 210 DF-R



LHS 210 DF-R



Material: -		Volume:	
Date	Drawn by	LHS 210 SF-R / DF-R	Sheet
14.06.21	Plank, Patrick		2
Date	Checked by		of
30.08.23	Plank, Patrick		4
Leister Technologies AG Switzerland		Format	Scale
		A2	1:2
			Drawing number
			020.832
			Revision
			A