

A

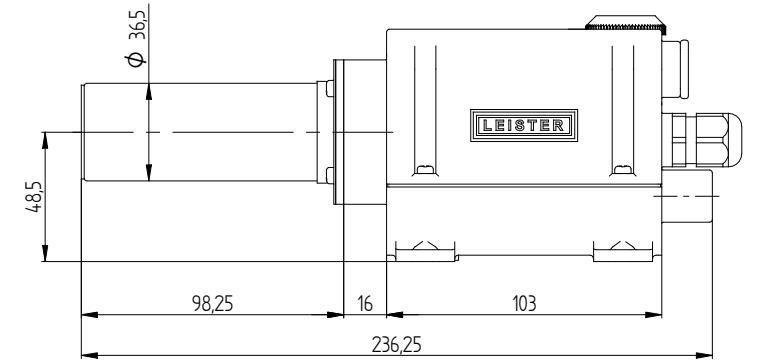
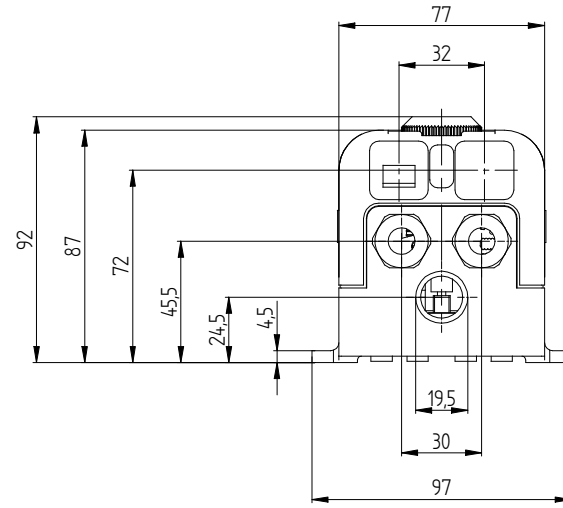
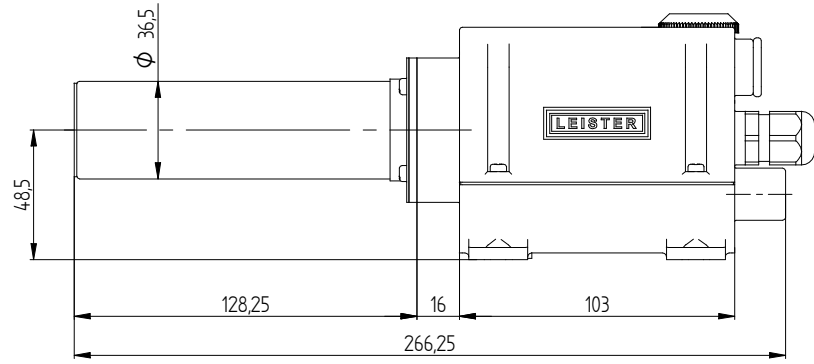
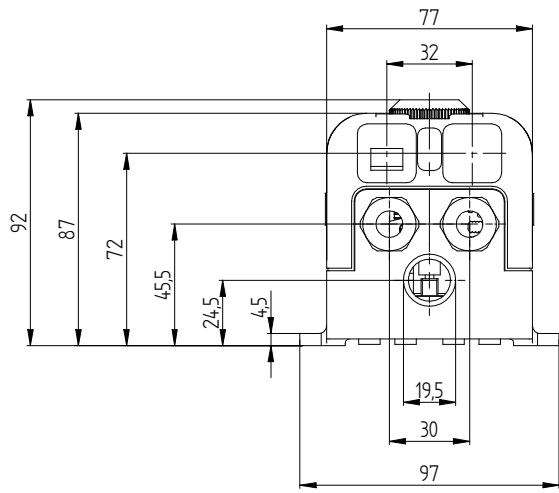
B

C

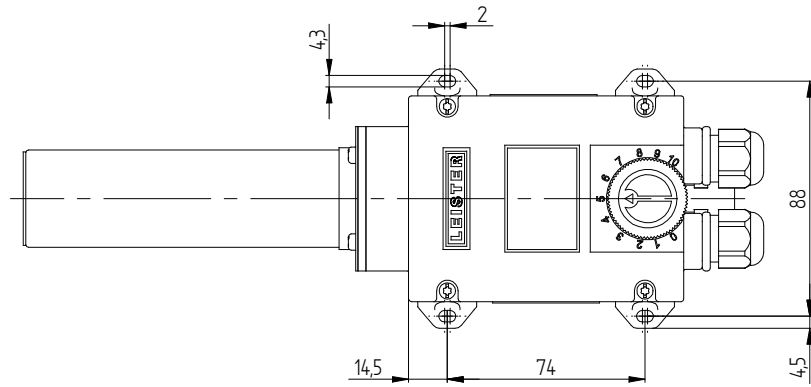
D

E

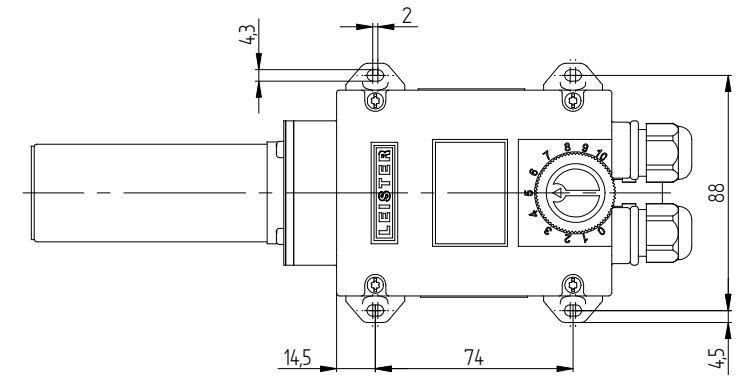
F



LHS Premium-System 20L



LHS Premium-System 20S



Subject to modifications

Material:				Volume:	
Date	Drawn by	LHS Premium-System 20			Sheet
13.03.2006	lw				1
Date	Checked by	LEISTER Process Technologies CH-6060 Samen			of
					1
Format		Scale	Drawing number	Revision	
A3		1:2		020.112	01

This document and the information in it contained are property of LEISTER and as such, they are to be considered reserved. Therefore, any reproduction in any form or by any means, without prior written permission of LEISTER is forbidden.