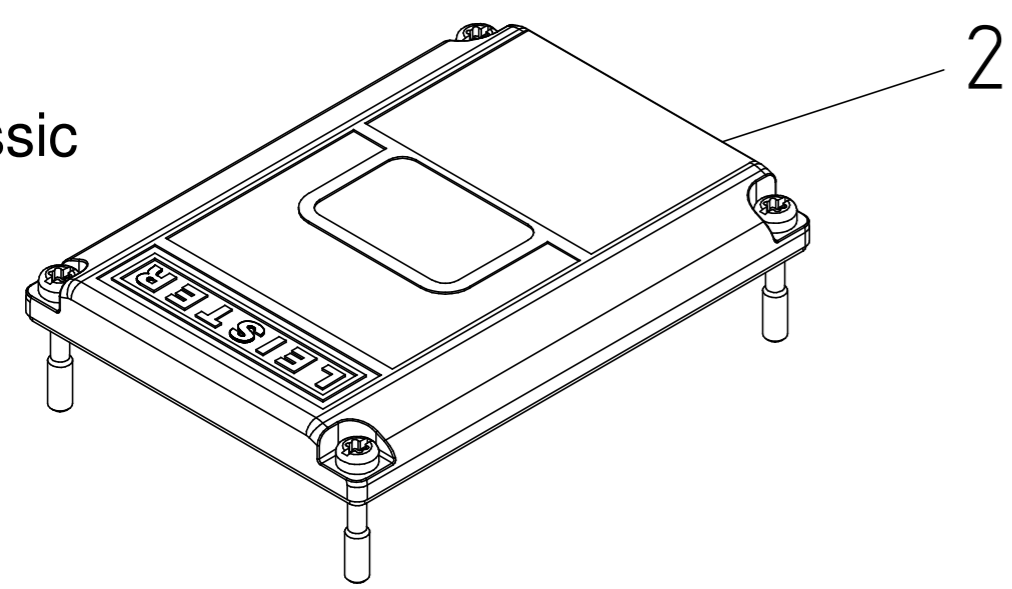
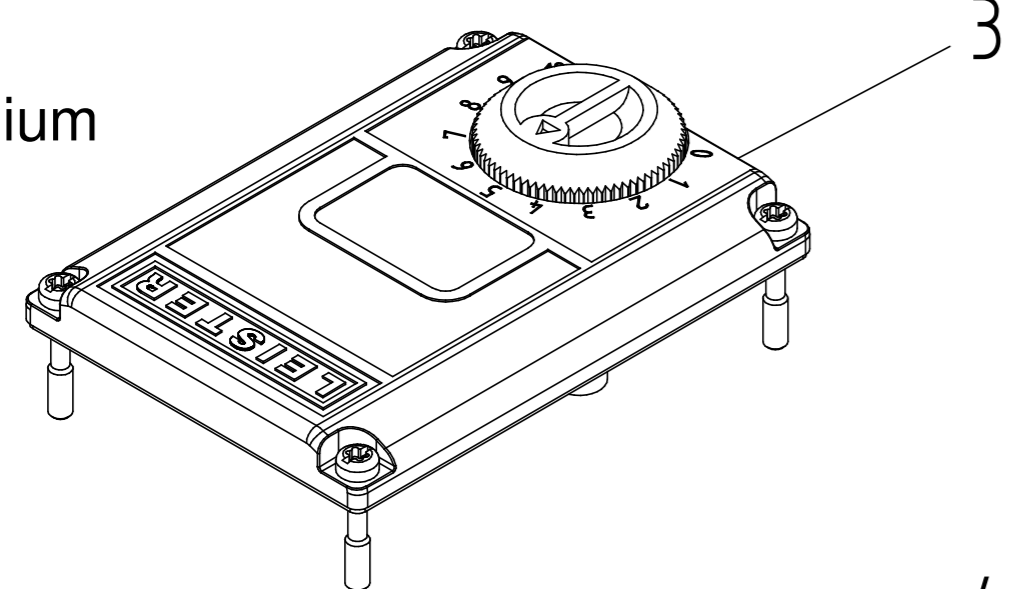


1

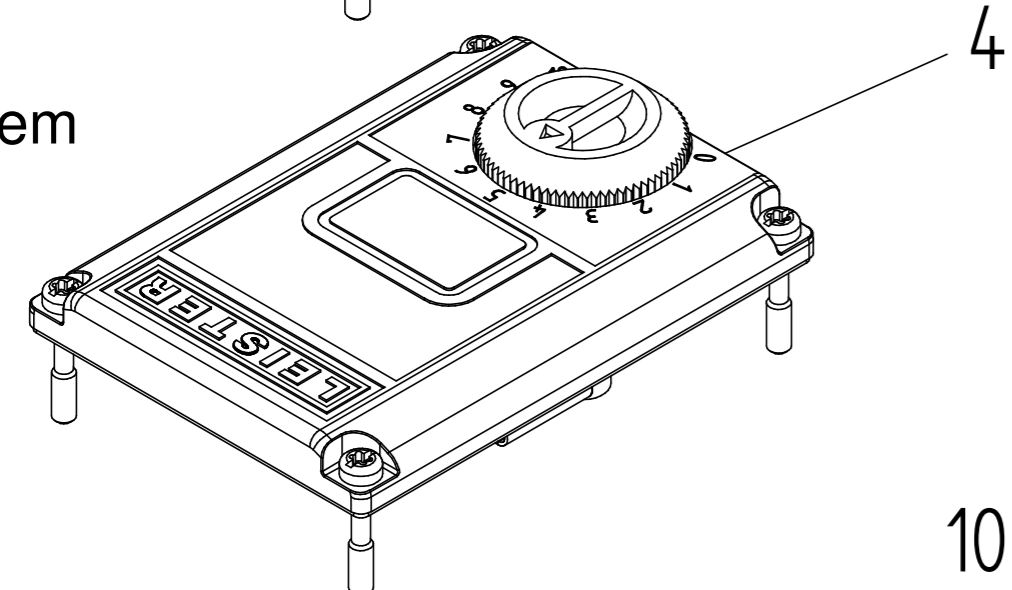
Classic



Premium

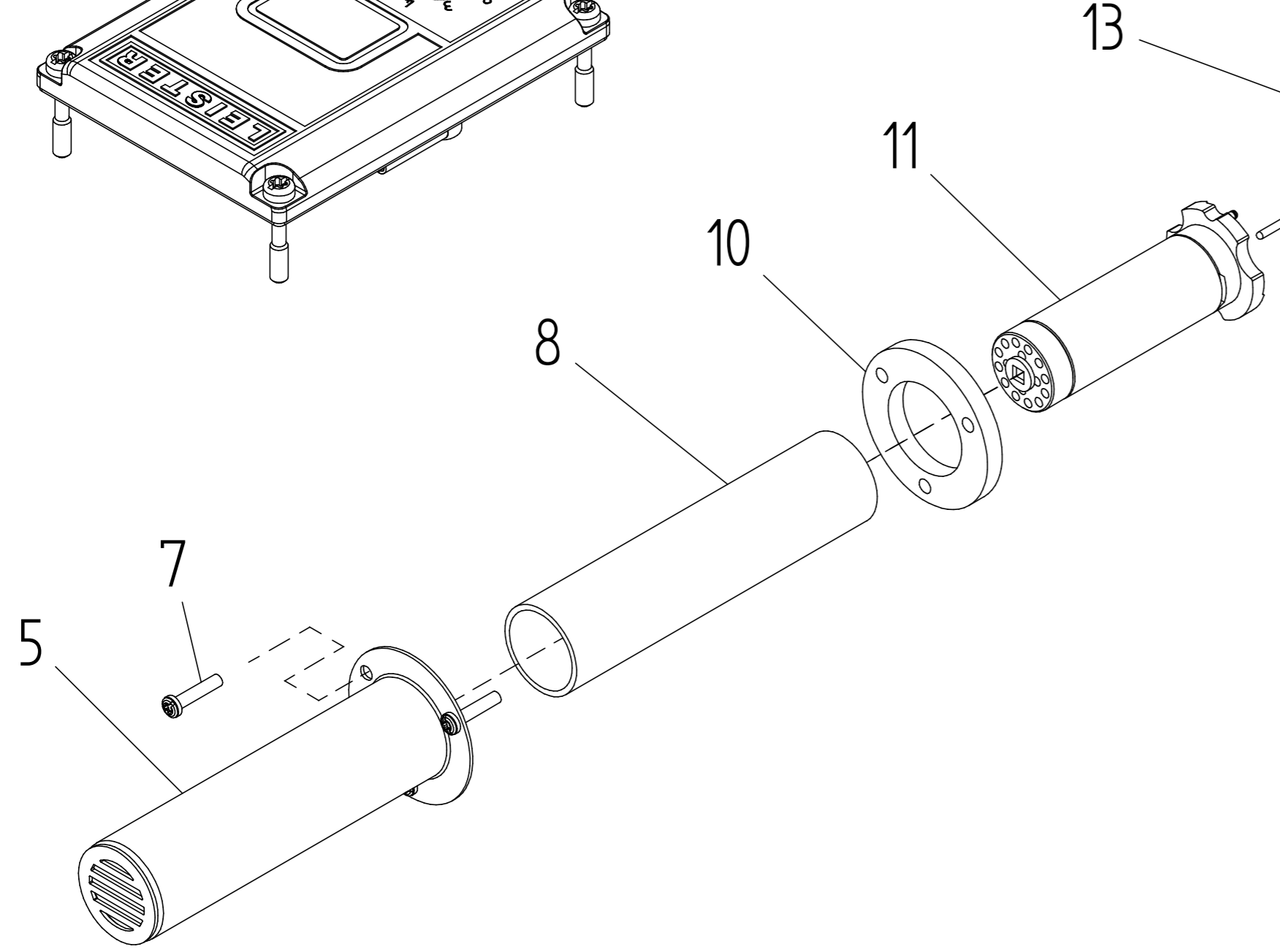


System

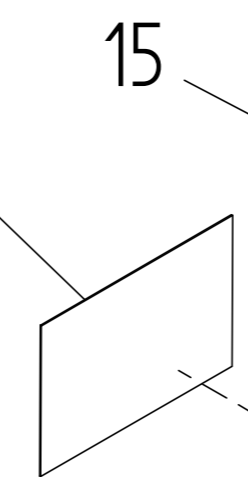


2

3



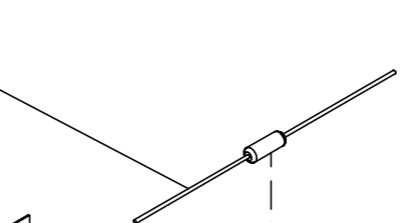
15



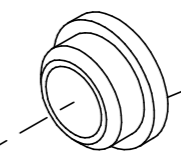
13



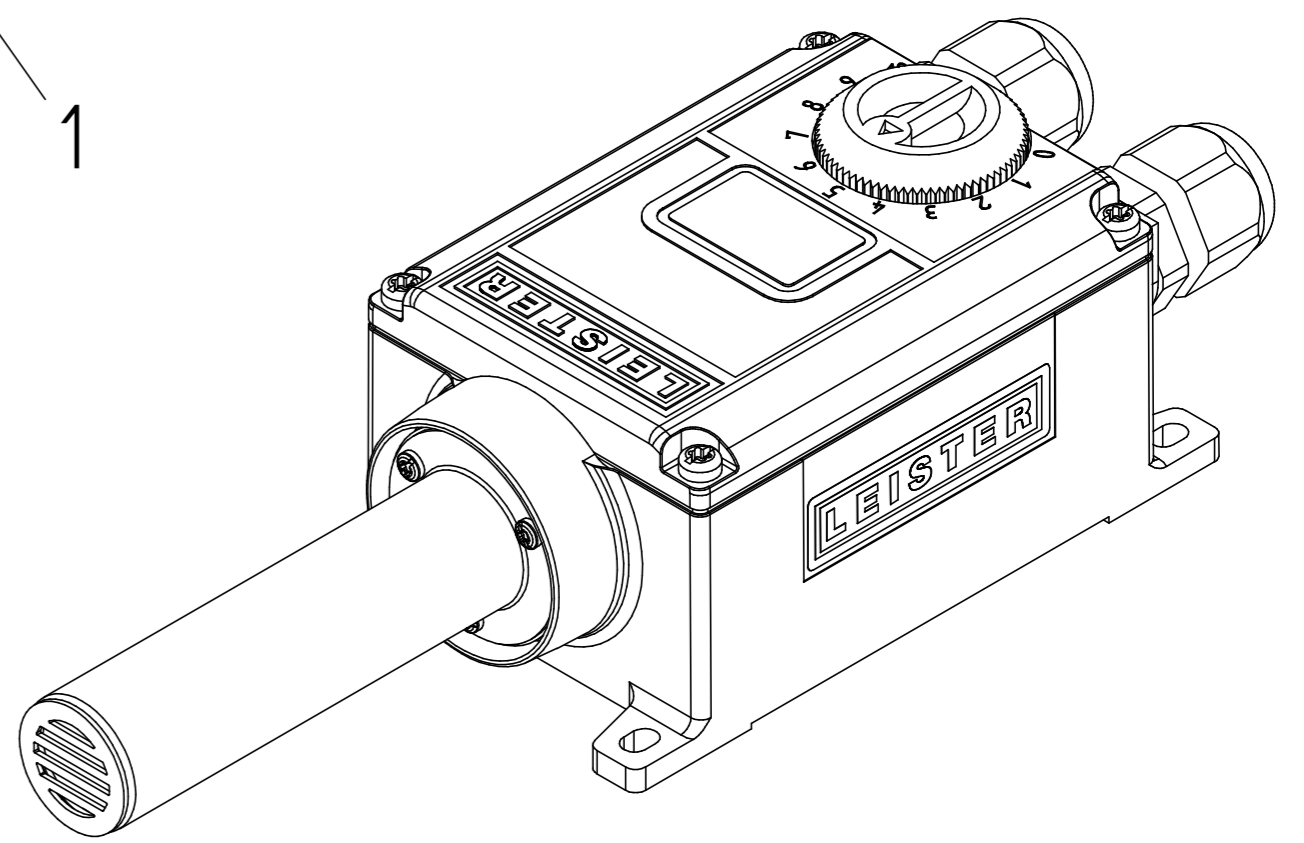
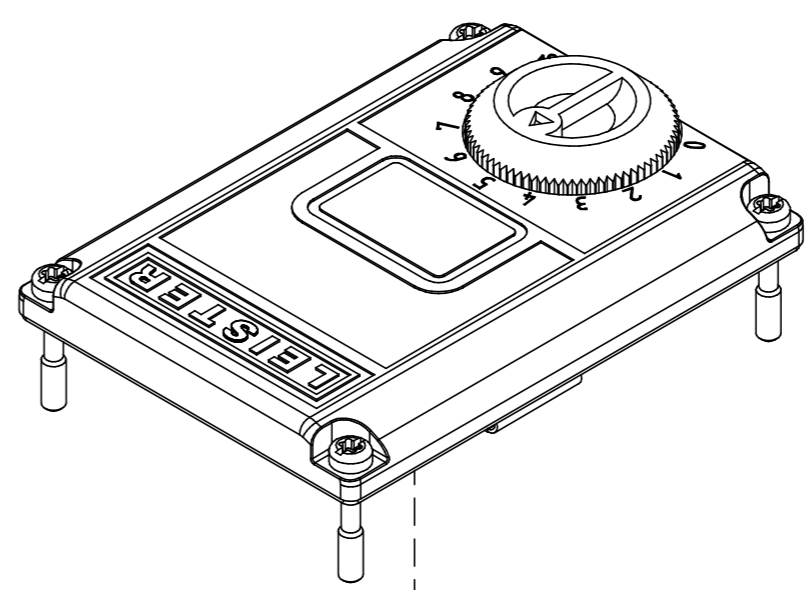
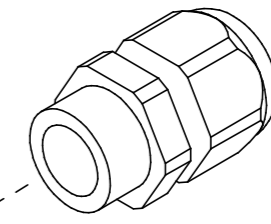
16



18



19



Material:				Volume:	
Date	Drawn by	LHS 15 Classic/Premium/System			Sheet
11.12.2009	lw				1
Date	Checked by				of
12.09.2011	mam				1
LEISTER Process Technologies CH-6056 Kaegiswil		Format	Scale	Drawing number	Revision
		A3	%		020.406