

A

B

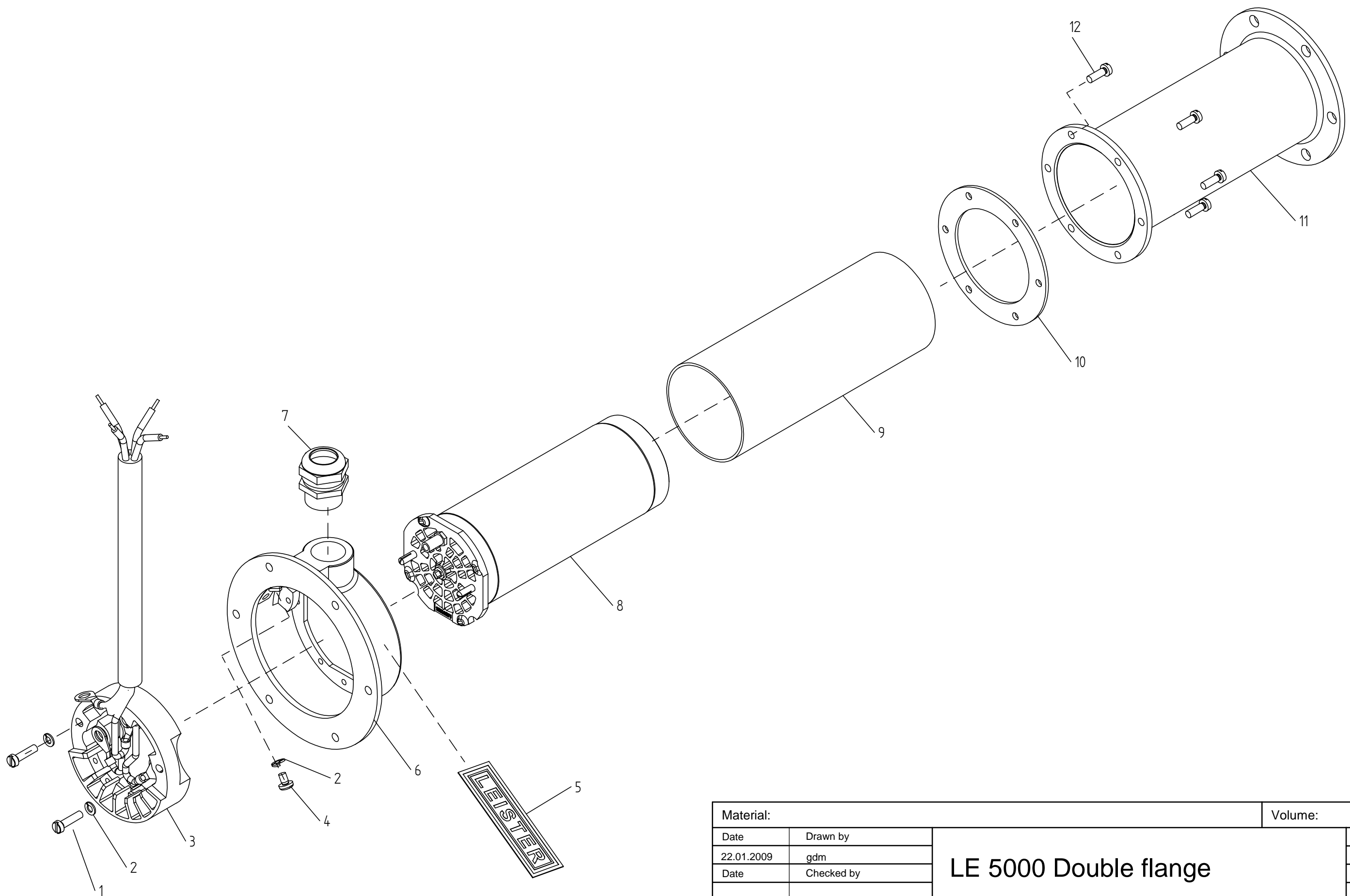
C

D

1

2

3



Material:				Volume:	
Date	Drawn by	LE 5000 Double flange			Sheet
22.01.2009	gdm				1
Date	Checked by				of
				1	
LEISTER Process Technologies CH-6060 Sarnen		Format	Scale	Drawing number	Revision
		A3	%	020.272	01