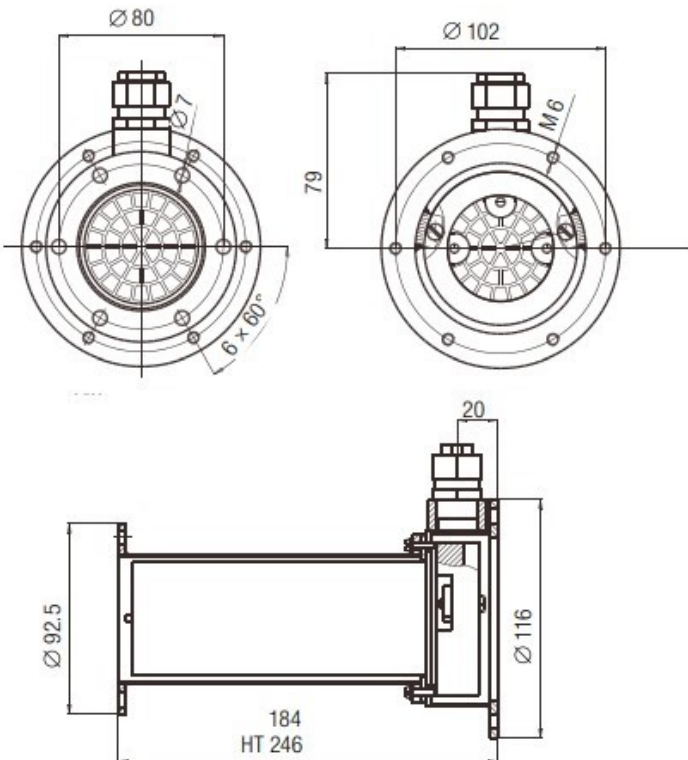


LE 5000 DF-R / DF / DF HT



Installation dimensions in mm



Technical data

LE 5 000 DF

		LE 5000 DF-R	LE 5000 DF	LE 5000 DF HT
Easy to integrate into existing air systems		•	•	•
Suitable for recycling air		•	•	•
Simple and safe fixture options		•	•	•
No integrated power electronics		•	•	•
Max. air outlet temperature	°C	700	700	900
Min. air flow	NI/min 4.5 kW	320	320	
	6.5 kW	460	460	
	7.0 kW			380
	7.5 kW	530	530	400
	8.0 kW	550	550	
	11 kW			580
Max. air inlet temperature	°C	350	150	150
Max. ambient temperature	°C	200	100	100
Weight including cable	kg	2.0	2.6	3.1

Conformity mark



Protection class I



Minimum quantity of air at air inlet temperature of 20°C at 100% heating power

NI = Standard litres according to ISO 6358

Optional temperature regulation

With CSS (CSS EASY) and Solid state relay (p 58 – 59)

Voltage	V ~	3 × 200	3 × 230	3 × 400	3 × 400	3 × 400	3 × 400
Power	kW	7.0	8.0	4.5	6.5	7.5	11
LE 5000 DF-R	Order no		146.793	146.480	146.794	146.795	
LE 5000 DF	Order no		116.067	117.551		114.240	
LE 5000 DF*	Order no			128.879	127.872		
LE 5000 DF HT	Order no	151.676				147.334	147.820

*sealed

Additional versions available on request