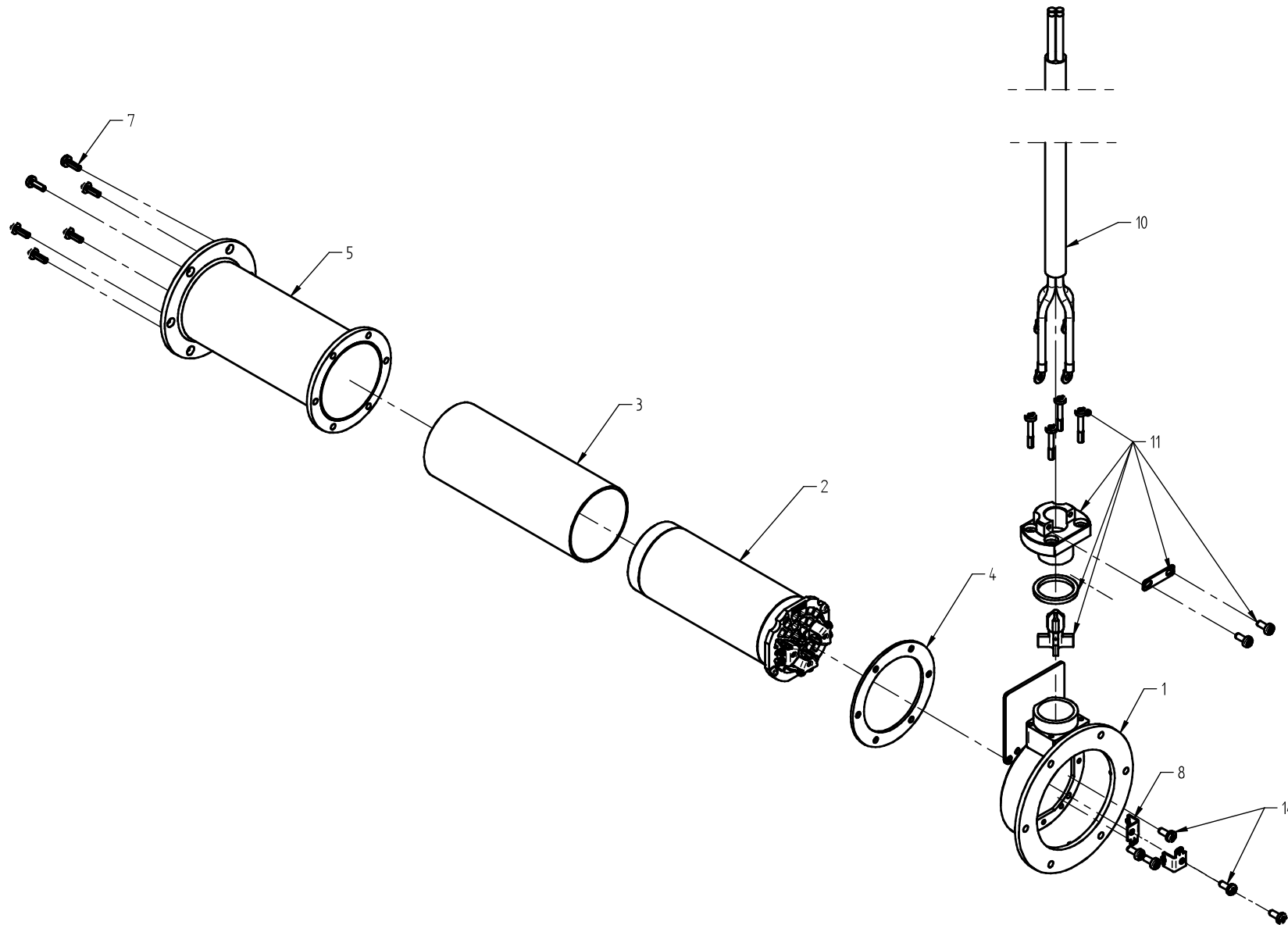


A

B

C

D



Material:				Volume:		
Date	Drawn by	LE 5000 DF-R			Sheet	
07.09.12	fes				1	
Date	Checked by				of	
05.11.18	Warkiewicz, Adam				1	
Leister Technologies AG Switzerland		Format	Scale		Drawing number	Revision
		A3	1:5		020.575	B