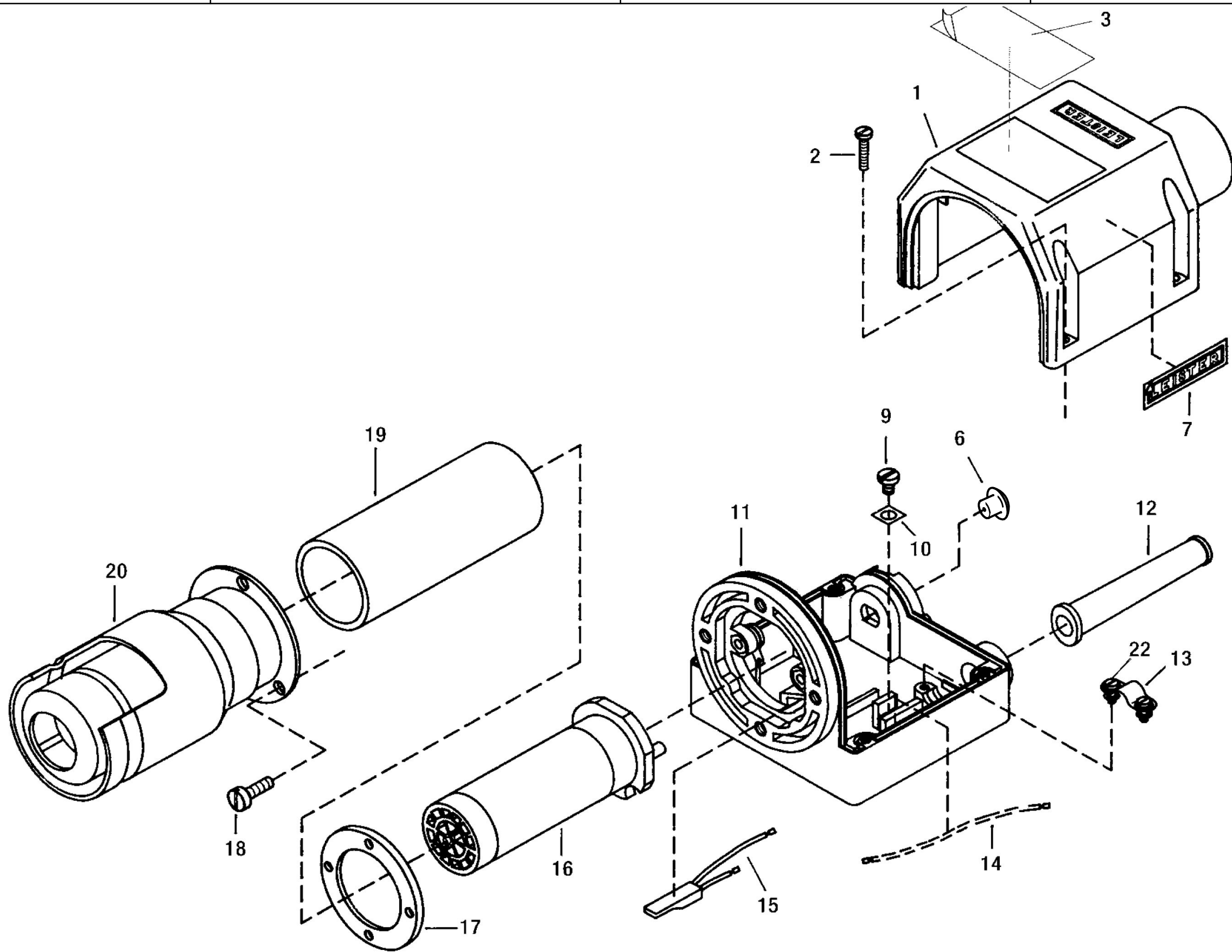


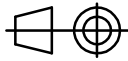
A

B

C

D



Material:				Volume:	
Date	Drawn by	LE 3300 w/o electronics			Sheet
21.01.2009	gdm				1
Date	Checked by				of
				1	Revision
LEISTER Process Technologies CH-6060 Sarnen		Format	Scale		Drawing number
		A3			020.316

This document and the information in it contained are property of LEISTER and as such, they are to be considered reserved.  
 © Therefore, any reproduction in any form or by any means, without prior written permission of LEISTER is forbidden.