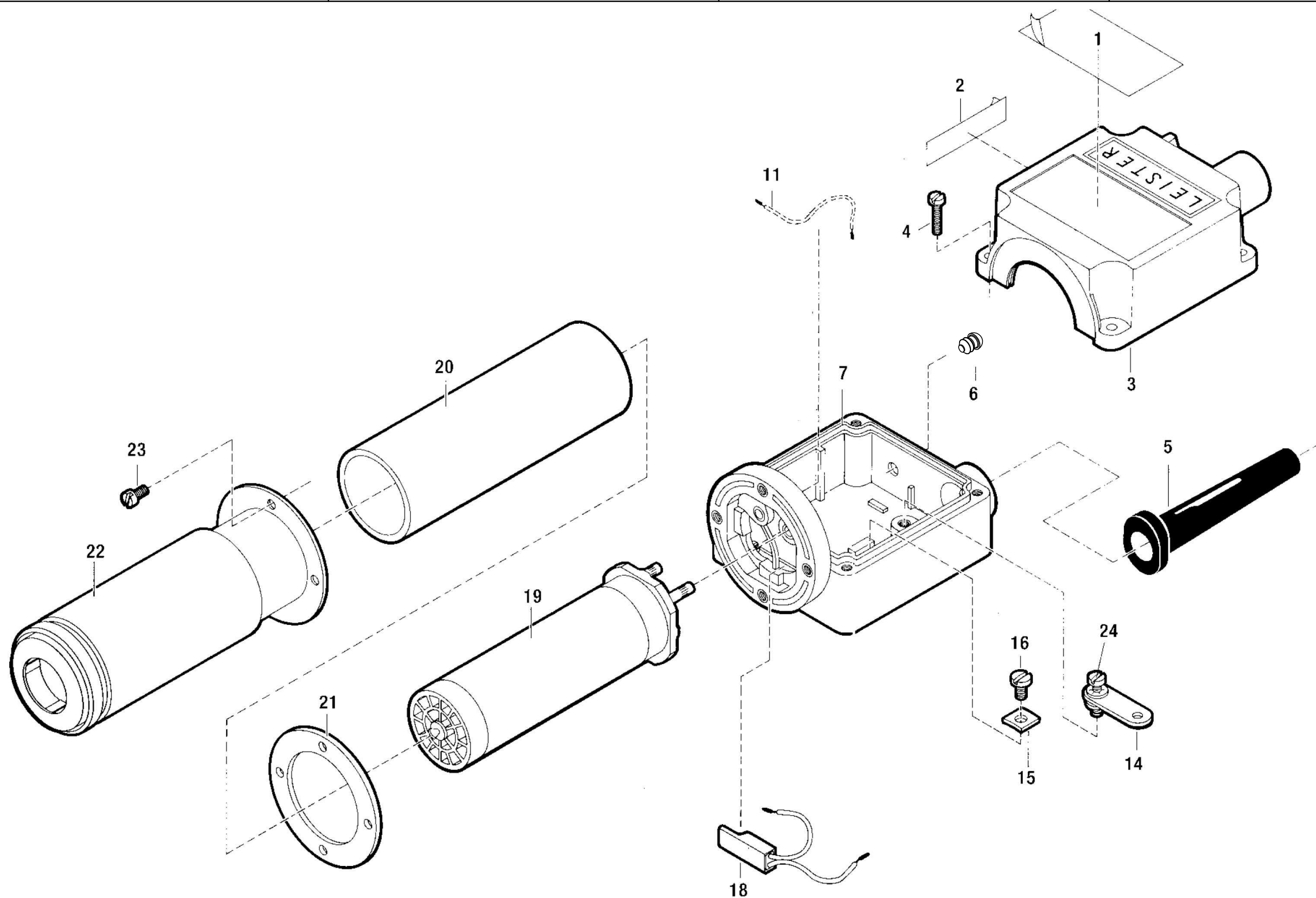


A

B

C

D



Material:

Volume:

Date Drawn by

21.01.2009 gdm

Date Checked by

LE 3000 w/o electronics

Sheet

1

of

1

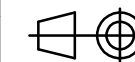
LEISTER
Process Technologies
CH-6060 Sarnen

Format

A3

Scale

%



Drawing number

020.315

Revision

01