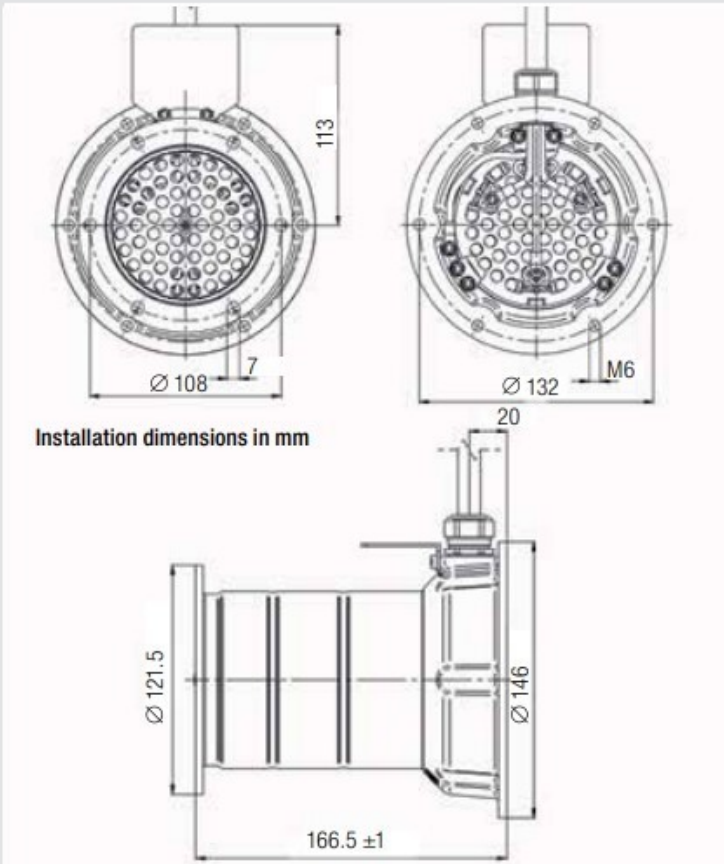


LE 10 000 DF-C



Technical data LE 10 000 DF-C

Easy to integrate into existing air systems		•
Suitable for recycling air		•
Simple and safe fixture options		•
No integrated power electronics		•
Max. air outlet temperature	°C	650
Min. air flow	NI/min	4.5 kW
		5.5 kW
		8.0 kW
		10 kW
		11 kW
	17 kW	1300
Max. air inlet temperature	°C	150
Max. ambient temperature	°C	100
Weight including cable	kg	3.9

Conformity mark



Protection class I



Minimum quantity of air at air inlet temperature of 20°C at 100% heating power
NI = Standard litres according to ISO 6358

Voltage	V ~	3 × 230	3 × 230	3 × 400	3 × 400	3 × 400
Power consumption kW		8.0	10	5.5	11	17
LE 10 000 DF-C	Order no.	146.288	146.916	147.323	147.324	147.325

Voltage	V ~	3 × 480	3 × 480	3 × 480
Power consumption kW		4.5	8.0	10
LE 10 000 DF-C	Order no.	153.783	154.088	154.276

Additional versions available on request

LE 5000 DF / LE 10 000 DF product portfolio

Product	Type	Power range	Max. inlet temperature	Max. outlet temperature
Standard	LE 5000 DF	4.5 – 7.5 kW	150° C	700° C
	LE 10 000 DF	5.5 – 17 kW	150° C	650° C 900° C
Recirculation	LE 5000 DF-R	4.5 – 8 kW	350° C	700° C
	LE 10 000 DF-R	5.5 – 17 kW	350° C	650° C 900° C
Clean	LE 10 000 DF-C	5.5 – 17 kW	150° C	650° C*

* Max. temperature for applications in food production according to material certification 400°C / 752 °F (ask Leister Customer Support team for details)