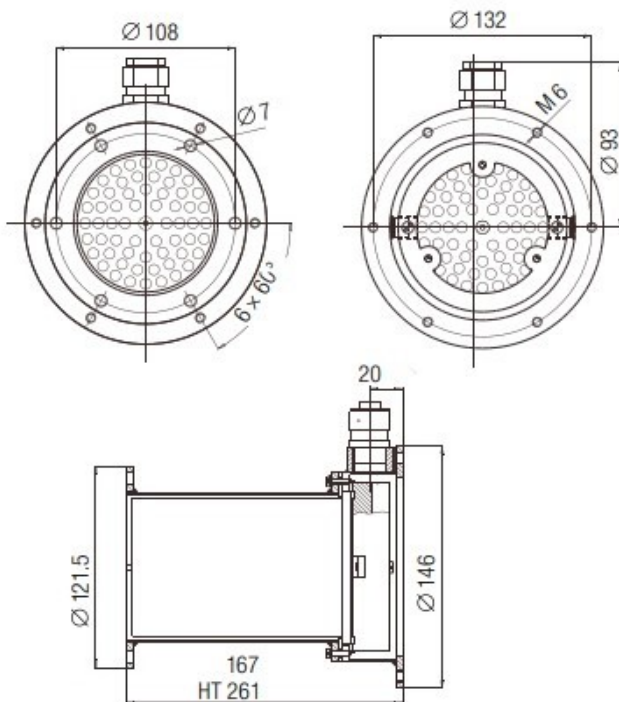


LE 10000 DF-R / DF / DF HT / DF-R HT



Installation dimensions in mm



Technical data		LE 10 000 DF-R	LE 10 000 DF-R HT	LE 10 000 DF	LE 10 000 DF HT
LE 10 000 DF					
Easy to integrate into existing air systems		•	•	•	•
Suitable for recycling air		•	•	•	•
Simple and safe fixture options		•	•	•	•
No integrated power electronics		•	•	•	•
Max. air outlet temperature	°C	650	900	650	900
Min. air flow	NI/min	420		420	
	5.5 kW	610		610	
	8.0 kW	840		840	
	11 kW	1220		1220	
	16 kW	1300		1300	
	17 kW		800		800
	15 kW HT				800
Max. air inlet temperature	°C	350	350	150	150
Max. ambient temperature	°C	200	200	100	100
Weight including cable	kg	2.7	3.3	3.4	4.0

Conformity mark	CE	CE	UL	US
Protection class I				

Minimum quantity of air at air inlet temperature of 20°C at 100% heating power
NI = Standard litres according to ISO 6358

Optional temperature regulation

With CSS (CSS EASY) and Solid state relay (p 58 – 59)

Voltage	V ~	3 × 400	3 × 400	3 × 400	3 × 480	3 × 480
Power consumption	kW	5.5	11	17	8.0	16
LE 10 000 DF-R	Order no	146.796	146.479	146.797	146.942	146.946
LE 10 000 DF	Order no	115.571	114.555	116.135	117.276	117.759
LE 10 000 DF*	Order no			130.865		

Voltage	V ~	3 × 400	3 × 480
Power consumption	kW	15	15
LE 10 000 DF-R HT	Order no	146.850	
LE 10 000 DF HT	Order no	116.056	117.313

*sealed

Additional versions available on request