


IGNITER: Small-sized but impressive.

The new IGNITER ignition blower from Leister has been specially developed for installation in pellet and wood chip stoves. The design and perfectly coordinated functionality will not fail to impress. The IGNITER has what it takes. Based on the proven technology of Leister's TRIAC S ECONOMY. The interfaces have been chosen so that it can easily be installed into any furnace.

1		Easy: Connector plug located directly on the device means easy removal and installation and fewer device configurations.
2		Linked: Connection adapter for air hose located directly on the device with inner 1" thread (no extra accessories needed).
3		Clever: New assembly support for positioning in the furnace.
4		Additional: Pipe joint adapter with M14 thread for easy adaptation of the heat conduction lines and extensions.
5		Protected: Heating element protection with phototransistor and device protection via temperature protection circuit.





Clean ignition process due to optimum heat level.

Ignition blower

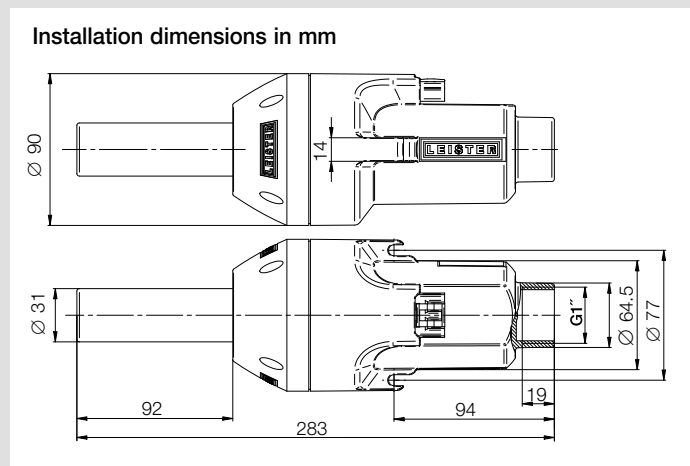
IGNITER

Technical Data IGNITER		IGNITER BM4						IGNITER BM4 with M14 screw adapter
Voltage	V	120	120	230	230	230	230	
Frequency	Hz	60	60	50	50	50	50	
Power rating	W	1100	1550	600	1100	1600	1100	
Min. air volume	l/min 20°C	230	230	80	230	230	230	
Air pressure	kPa	2.48	2.48	0.3	2.48	2.48	2.48	
Max temperature	°C	600	600	500	600	600	600	
Emission level	dB (A)	68	68	58	68	68	68	
Size	mm	283 x 90 x 90						
Weight	kg	1 (without power cable)						
Conformity	CE							
Safety standard	Ⓢ							
Certification	CCA							
Protection class II	□							
Order no.		141.882	141.881	139.232	140.711	139.231	144.012	

We reserve the right to make technical changes.
Plug for cable connection and cable are not included.

Accessories IGNITER

	142.359	Accessory adapter kit to TRIAC S ECONOMY heating pipe
	142.414	Accessory screw adapter for M14 extensions
	107.286	Air hose Ø 38 mm
	107.287	Hose bracket
	136.916	Heating element 230 V ~ 1550 W
	141.002	Heating element 230 V ~ 1050 W
	141.003	Heating element 230 V ~ 550 W
	136.918	Heating element 120 V ~ 1500 W
	141.005	Heating element 120 V ~ 1050 W
	141.006	Heating element 120 V ~ 550 W
	142.967	Power supply cord (rubber) with WAGO Plug, 3 x 1 mm² x 3 m
	143.131	Power supply cord (silicon) with WAGO plug, 3 x 1 mm² x 3 m
	142.976	Plug with strain relief WAGO "Winsta 770"



Installation arrangement