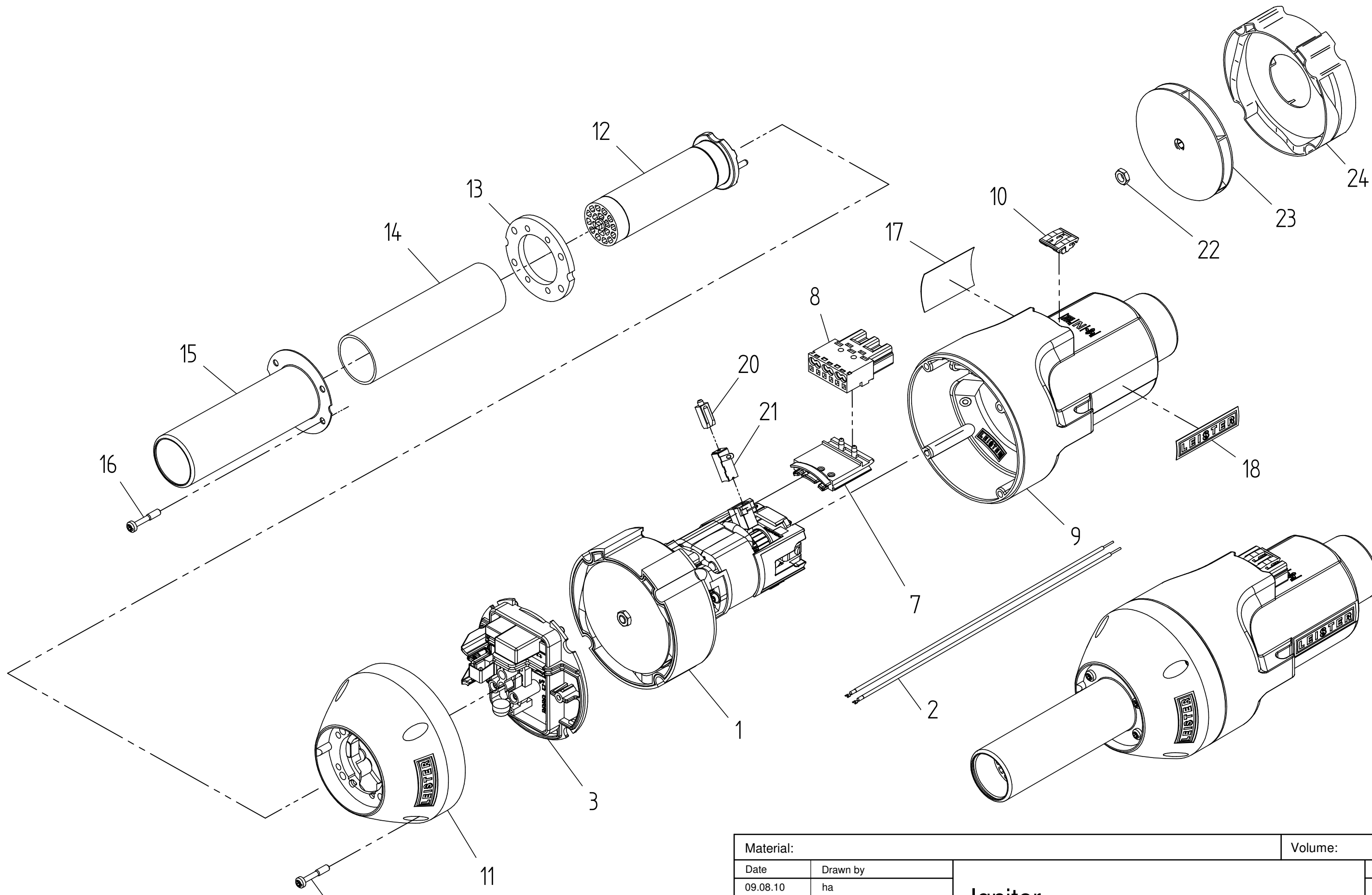


A

B

C

D



Pos.	Torque	number of revolutions
15	1,2 Nm	650 1/min.
22	0,6 Nm	650 1/min.

Material:

Date	Drawn by
09.08.10	ha
Date	Checked by
27.05.15	Wallimann, Leo

Leister Technologies AG  
Switzerland

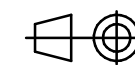
Igniter

Format

A3

Scale

1:2



Drawing number

020.431

Revision

B

Volume:

Sheet

1

of

1