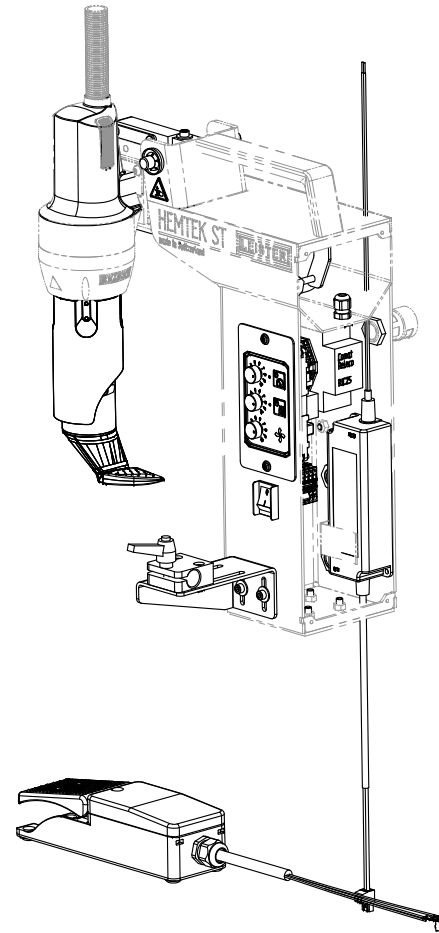
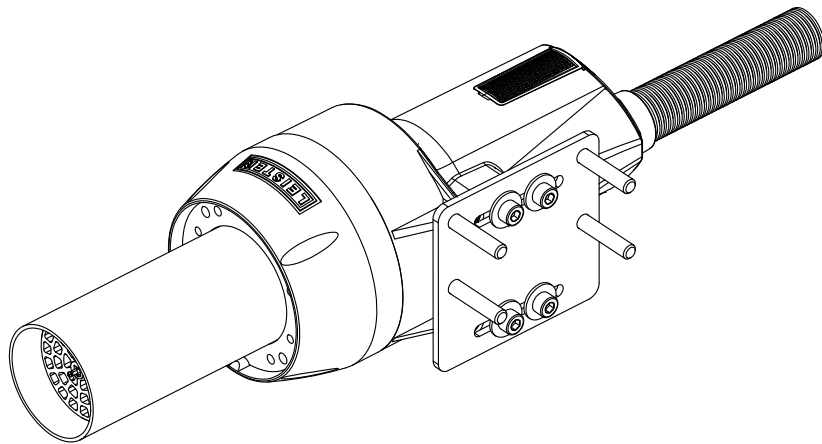
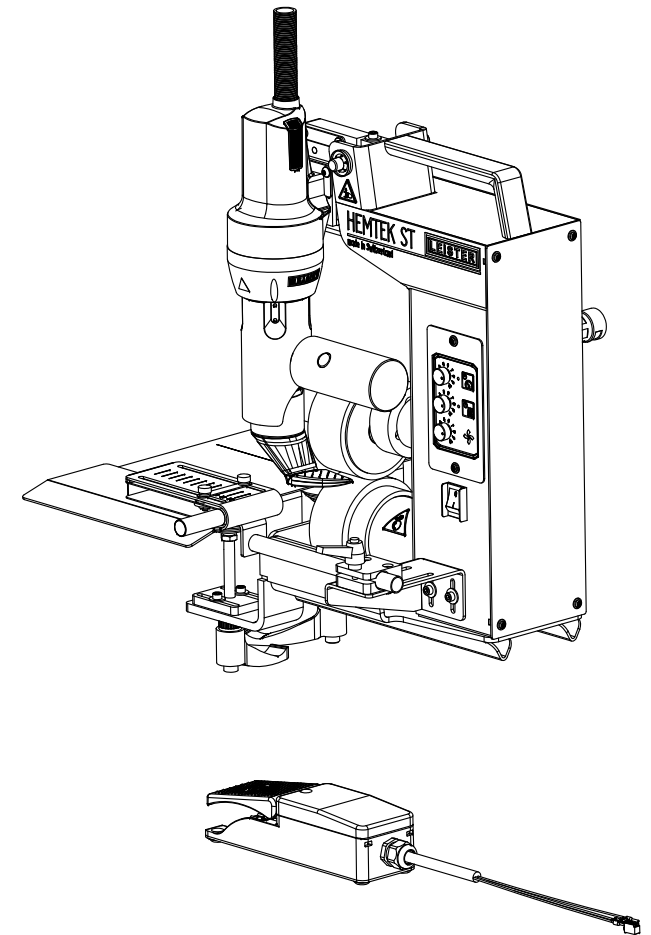



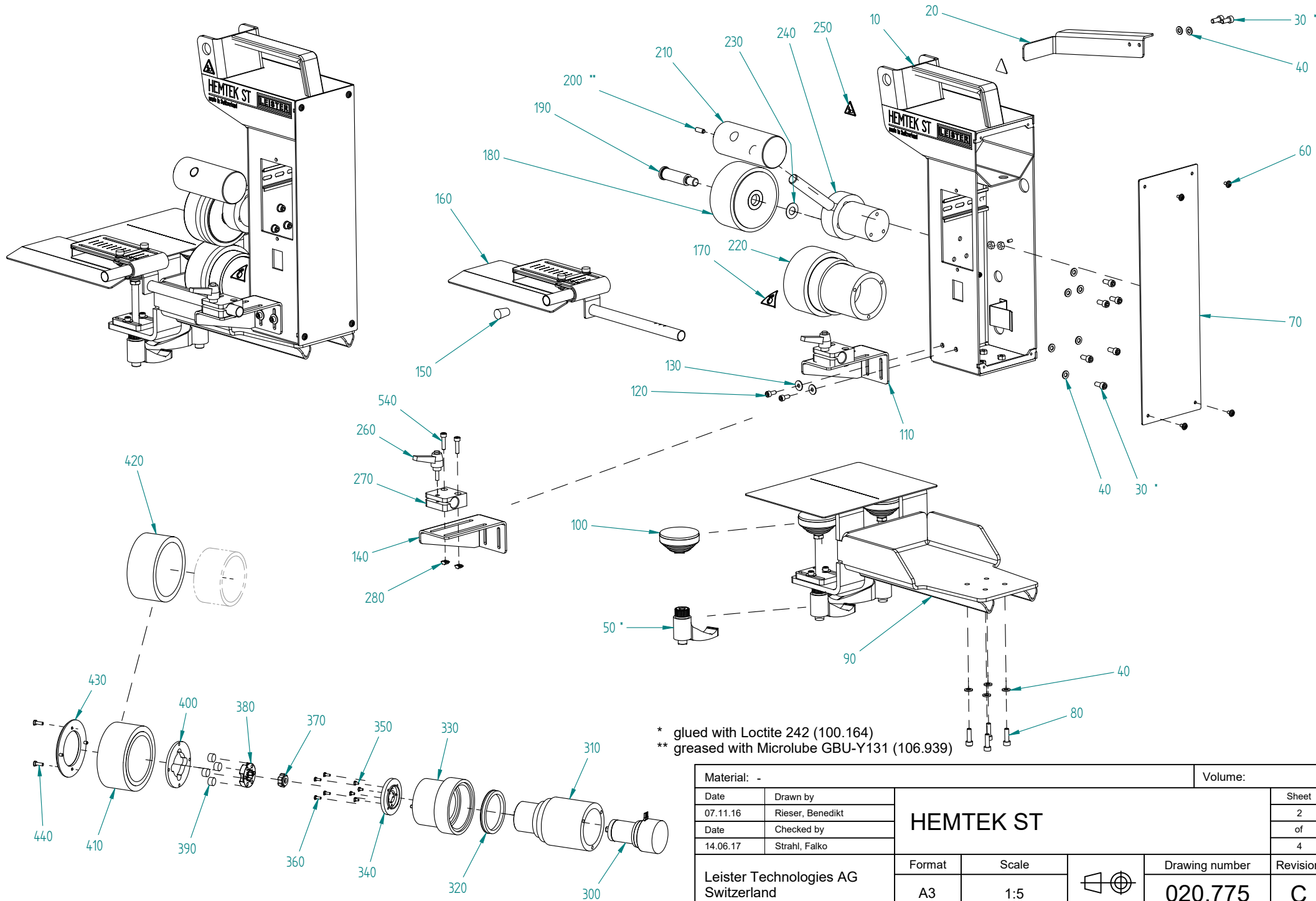
Spare Parts Sheet 2



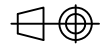
Spare Parts Sheet 3

Spare Parts Sheet 4  
1:2

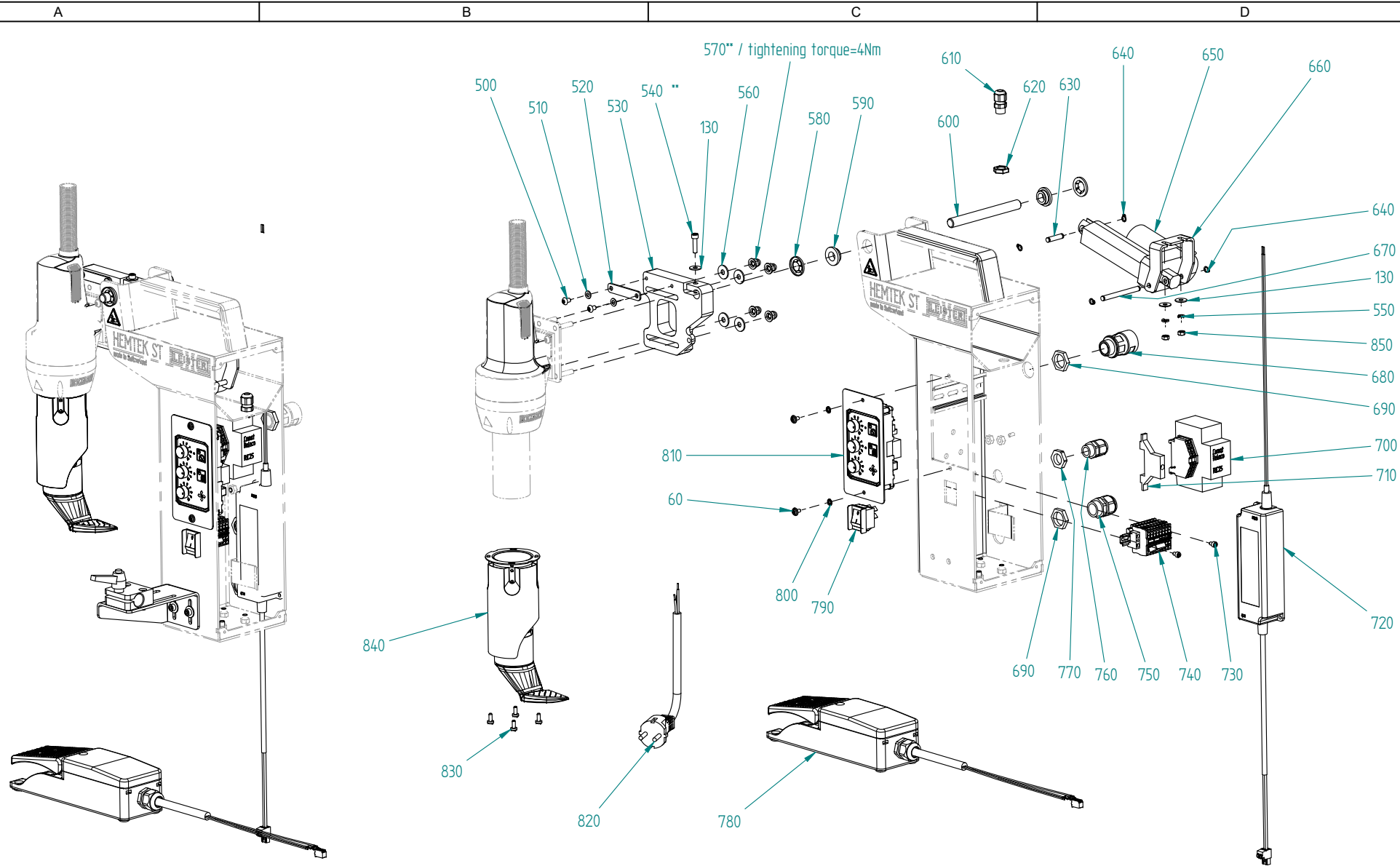
Material: -				Volume:		
Date	Drawn by	HEMTEK ST			Sheet	
07.11.16	Rieser, Benedikt				1	
Date	Checked by				of	
14.06.17	Strahl, Falko	4				
Leister Technologies AG Switzerland		Format	Scale		Drawing number	Revision
		A3	1:5		020.775	C



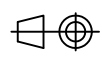
\* glued with Loctite 242 (100.164)  
 \*\* greased with Microlube GBU-Y131 (106.939)

Material: -				Volume:		
Date	Drawn by	<b>HEMTEK ST</b>		Sheet		
07.11.16	Rieser, Benedikt			2		
Date	Checked by			of		
14.06.17	Strahl, Falko			4		
Leister Technologies AG Switzerland		Format	Scale		Drawing number	Revision
		A3	1:5		<b>020.775</b>	<b>C</b>

This document and the information it contains are property of LEISTER and as such, they are to be considered reserved.  
 Therefore, any reproduction in any form or by any means, without prior written permission of LEISTER is forbidden.



\* glued with Loctite 242 (100.164)  
 \*\* greased with Microlube GBU-Y131 (106.939)

Material: -				Volume:		
Date	Drawn by	<b>HEMTEK ST</b>			Sheet	
07.11.16	Rieser, Benedikt				3	
Date	Checked by				of	
14.06.17	Strahl, Falko				4	
Leister Technologies AG Switzerland		Format	Scale		Drawing number	Revision
		A3	1:5		<b>020.775</b>	<b>C</b>

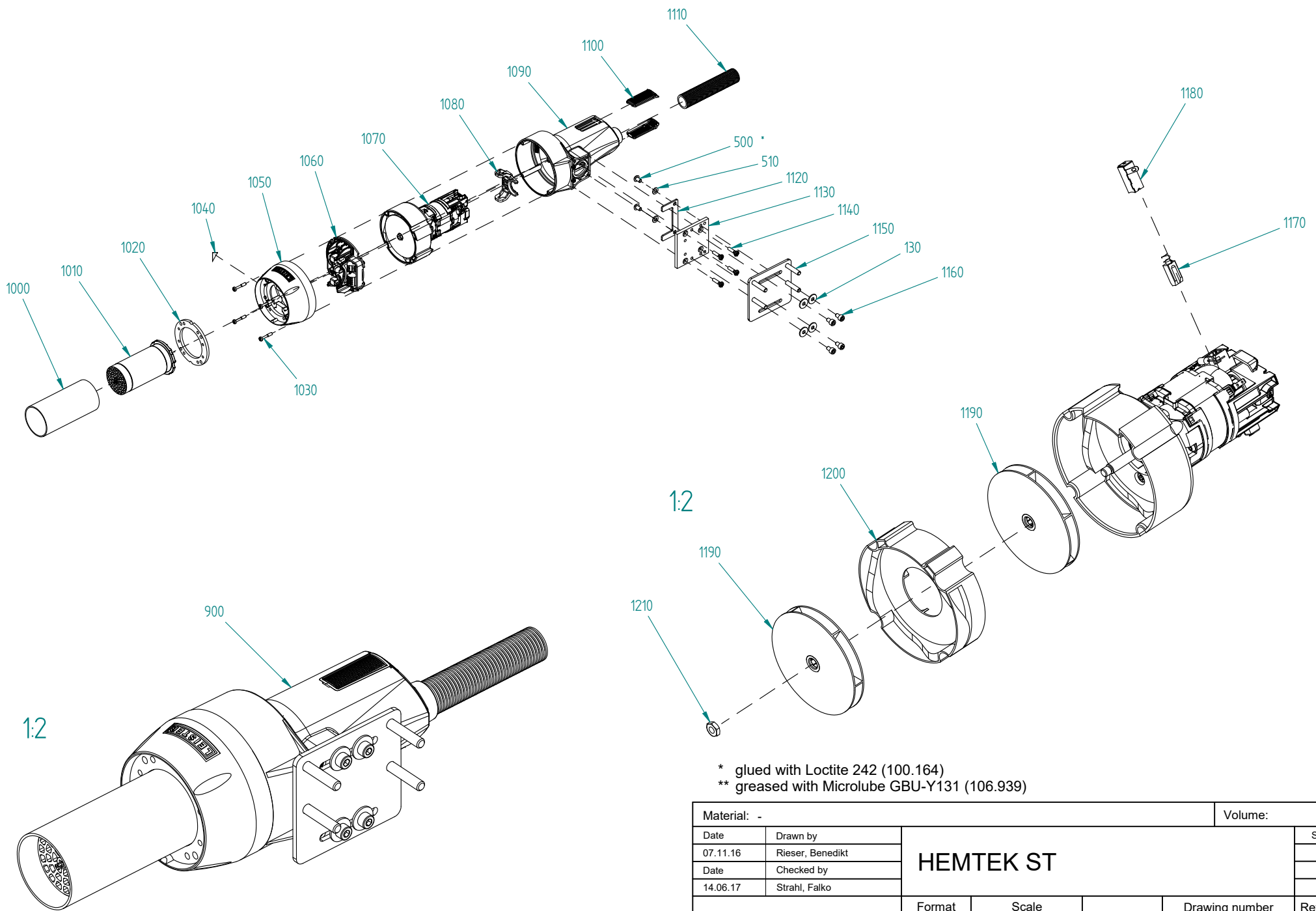
This document and the information it contains are property of LEISTER and as such they are to be considered reserved.  
 Therefore, any reproduction in any form or by any means, without prior written permission of LEISTER is forbidden.

A

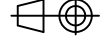
B

C

D



\* glued with Loctite 242 (100.164)  
 \*\* greased with Microlube GBU-Y131 (106.939)

Material: -				Volume:		
Date	Drawn by	HEMTEK ST			Sheet	
07.11.16	Rieser, Benedikt				4	
Date	Checked by				of	
14.06.17	Strahl, Falko	4				
Leister Technologies AG Switzerland		Format	Scale		Drawing number	Revision
		A3	1:5		020.775	C

This document and the information it contains are property of LEISTER and as such, they are to be considered reserved.  
 Therefore, any reproduction in any form or by any means, without prior written permission of LEISTER is forbidden.