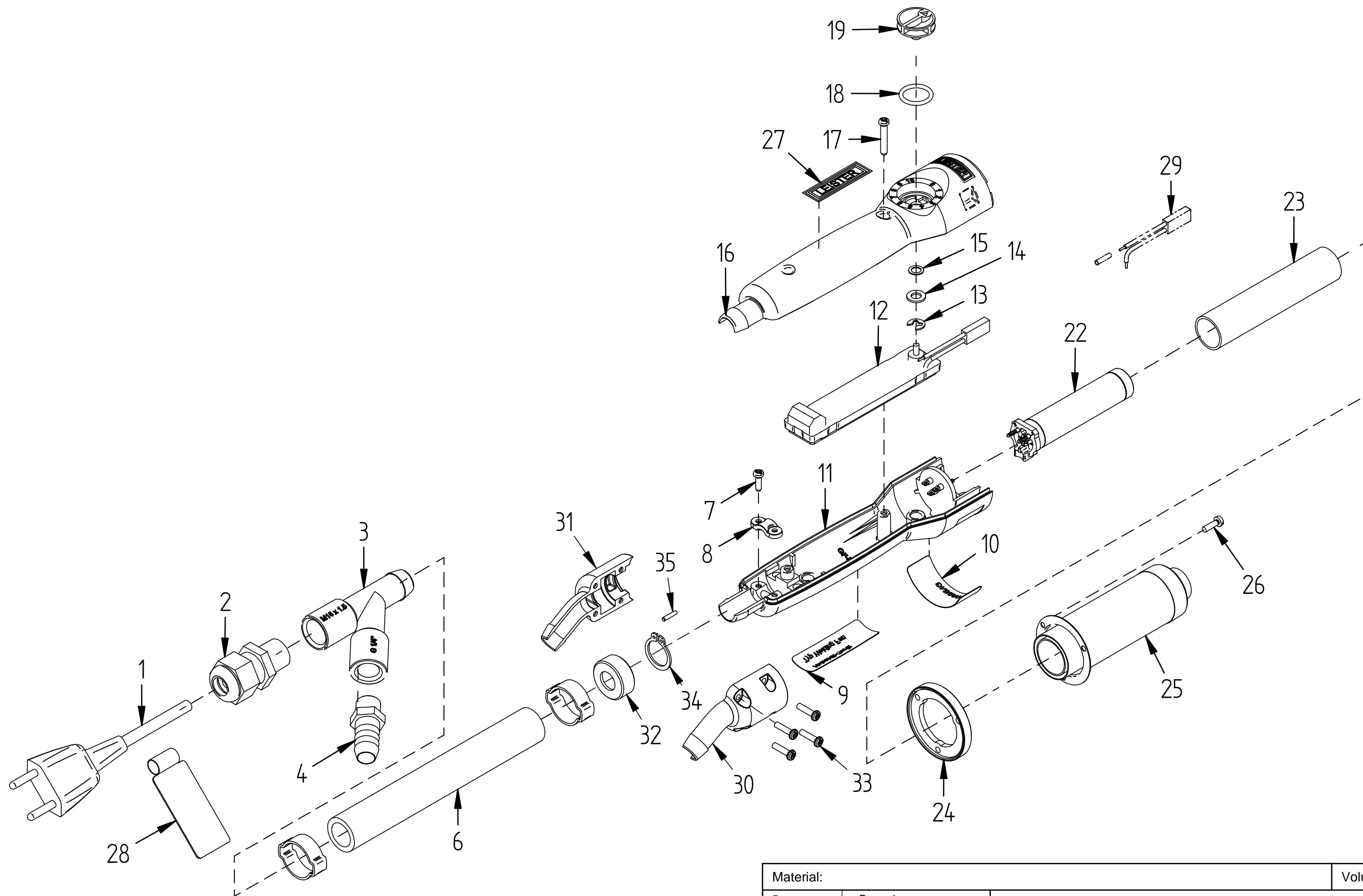


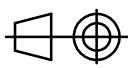
A

B

C

D



Material:				Volume:		
Date	Drawn by	Welding-Pen S			Sheet	
05.02.2009	bdu				1	
Date	Checked by				of	
09.03.2007	gdm				1	
LEISTER Process Technologies CH-6060 Sarnen		Format	Scale		Drawing number	Revision
		A3	1:2		020.341	01