

LEISTER Vulcan «E» High Pressure Hot Air Blower

(without electronics)

Order No. 8K5, 8K6



Please read operating instructions carefully before use
and keep for further reference.



APPLICATION

- The LEISTER hot air blower Vulcan «E» is suitable for building into machines, installations and appliances and is designed for continuous operation.
- **Drying and heating processes** of various types.
- **Heating** conveyor ovens or heat tunnels.
- **De-icing** the runway of a crane and sewage works as well as surface areas, joints, rails and cables etc.
- **Speeding up** mixing processes and **dissolving** foams which can arise during mixing and filling containers.
- **Sterilizing** of packaging materials such as bottles, corks and containers.
- **Activating and loosening** solvent free adhesives and melt adhesives.
- **Separating and fusing** synthetic fibres and fabrics.
- **Shrinking** of heat-shrink sleeves, films, tapes, solder sleeves and moulded parts.
- **Soldering** copper pipes, solder joints and metal foils.
- **Removing** plastic mould flash and putting a **shine** on plastic surfaces.
- **Igniting** wood shavings, paper, coal or straw in furnaces.





WARNING



Danger! When opening up the tool live components and connections are exposed. Therefore, before opening it, disconnect all poles from the mains.



Incorrect installation and use of hot air tools can present a **fire and explosion hazard**.



CAUTION



The **voltage rating** stated on the tool should correspond to the mains voltage.



The tool must be grounded with the protective conductor.



Do not touch the element housing and nozzle when hot as they can cause **burns**. Do not point the hot air flow at people or animals.



The equipment should not be operated **without supervision**.



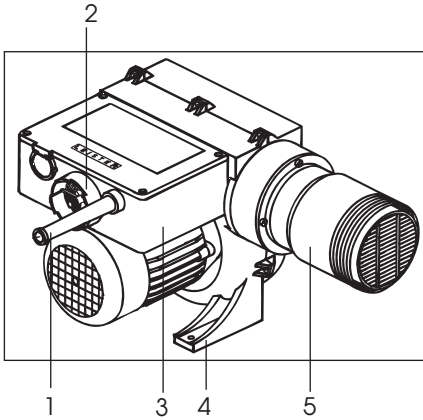
Protect tool from **damp and wet**.

TECHNICAL DATA

Order No.	8K5	8K6
Voltage	V~	3 x 220 – 230
Capacity	W	3 x 380 – 440
Temperature	°C	10
Frequency	Hz	650
Air flow	l/min. (20°C)	50 / 60
Air pressure	mbar	850 / 1500
Noise level	dB (A)	950 / 1700
Weight	kg	3100 / 4000
Size	mm	65
		9.3
		384 x 254 x 231

1 mbar = 100 Pa

Description of tool

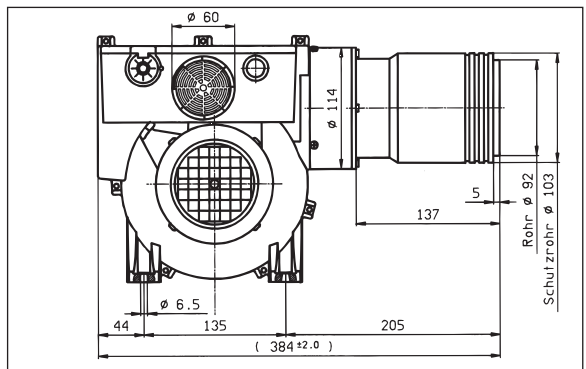
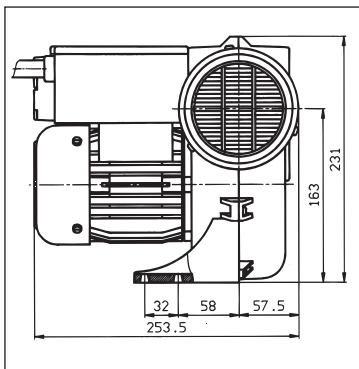


1. Strain relief bushing for cord to mains
2. Air intake connection
3. Connection box
4. Installation stand
5. Element housing with protective tube

Installation

- The tool should be fixed by using four M6 screws on the **installation stand (6)**.
- When installing the tool, make sure that
 - only cold air is sucked in
 - no air is sucked in from the hot air tool
 - no (warm air) back pressure develops
 - the hot air tool is not in direct line of the hot air flow from another hot air tool.
- For use in a dusty environment the tool should be fitted with a LEISTER stainless steel filter on the **air intake connection (4)**. Where a particularly critical dust problem exists (eg metal, electrically charged or damp dust) special filters must be used to avoid short circuiting the tool.
- Protect the tool from vibration and shock.

- Installation dimensions in mm.



Operation

- Connect tool to the mains.
- The mains connection cord should have the corresponding cross section area of conductor and should be fitted by an electric engineer.
- As required, push-fit appropriate nozzle or reflector (see Caution).
- The LEISTER Company, as well as the authorized Sales and Service Centres, offer advice and an introduction to the areas of application of hot air tools, free of charge (see page 1).
- After use, let the tool cool down by letting cold air flow through it (preventing warm air back pressure).

CAUTION:

- ★ ***To protect the tool and the element, the air flow through the nozzles or reflectors should never be reduced.***
- ★ *The mains connection must have a device for disconnect all poles from the mains with a **3 mm distance between contacts.***

ACCESSORIES

- Only LEISTER nozzles and reflectors must be used.
- Let the tool cool down before changing the nozzle or reflector.

SERVICE AND REPAIR

- Repairs should only be carried out by authorized **LEISTER Service Centres**. They guarantee a specialized and reliable **Repair Service within 24 hours** using original spare parts. The LEISTER Company will reject any guarantee and product liability for repairs which have not been carried out by one of the authorized LEISTER Service Centres using LEISTER spare parts.

NOTICE

- The LEISTER Company rejects any guarantee claim for tools which are not in their original condition. Under no circumstances should tools be altered or changed.

Your authorized Service Centre is: