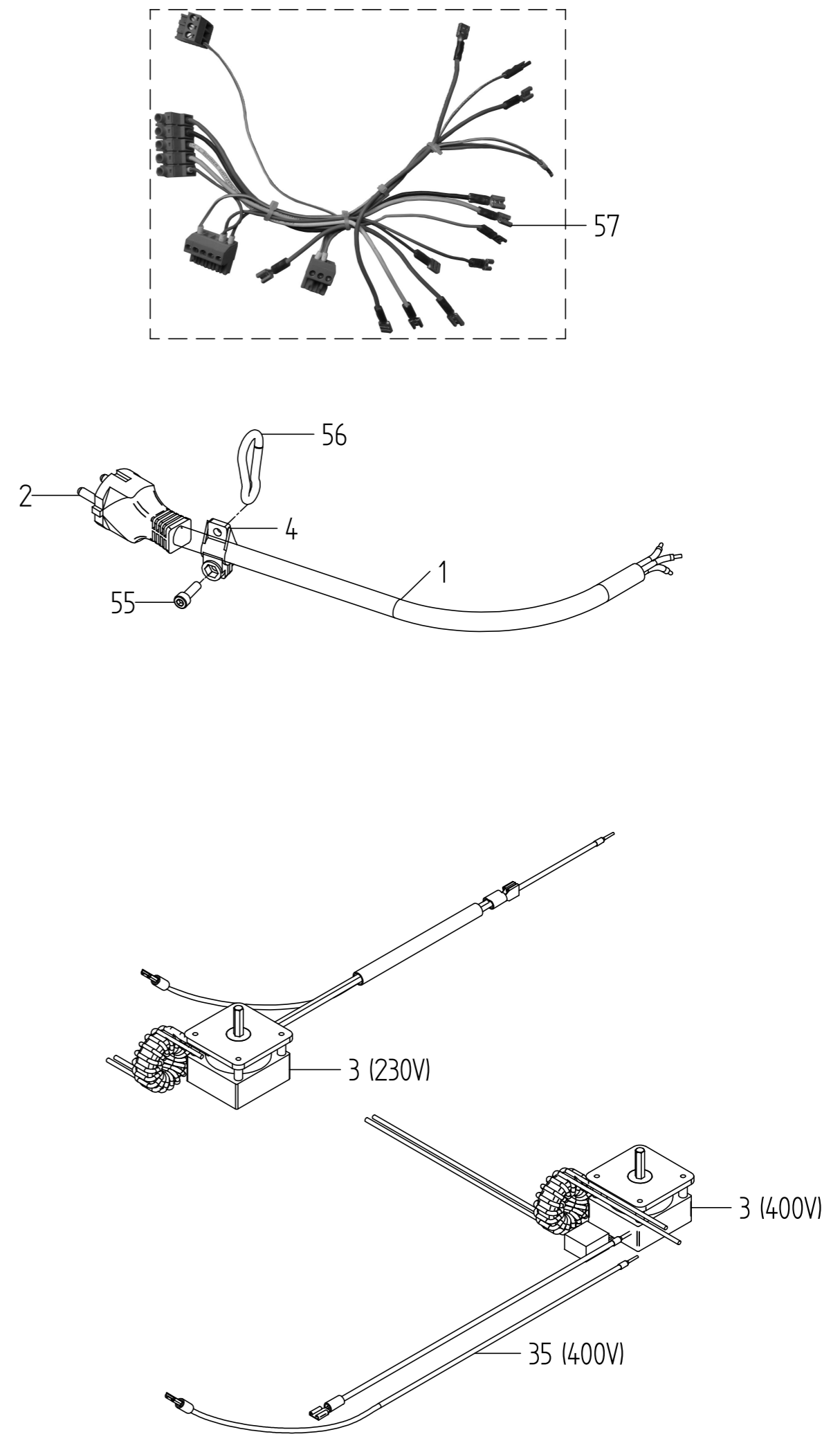
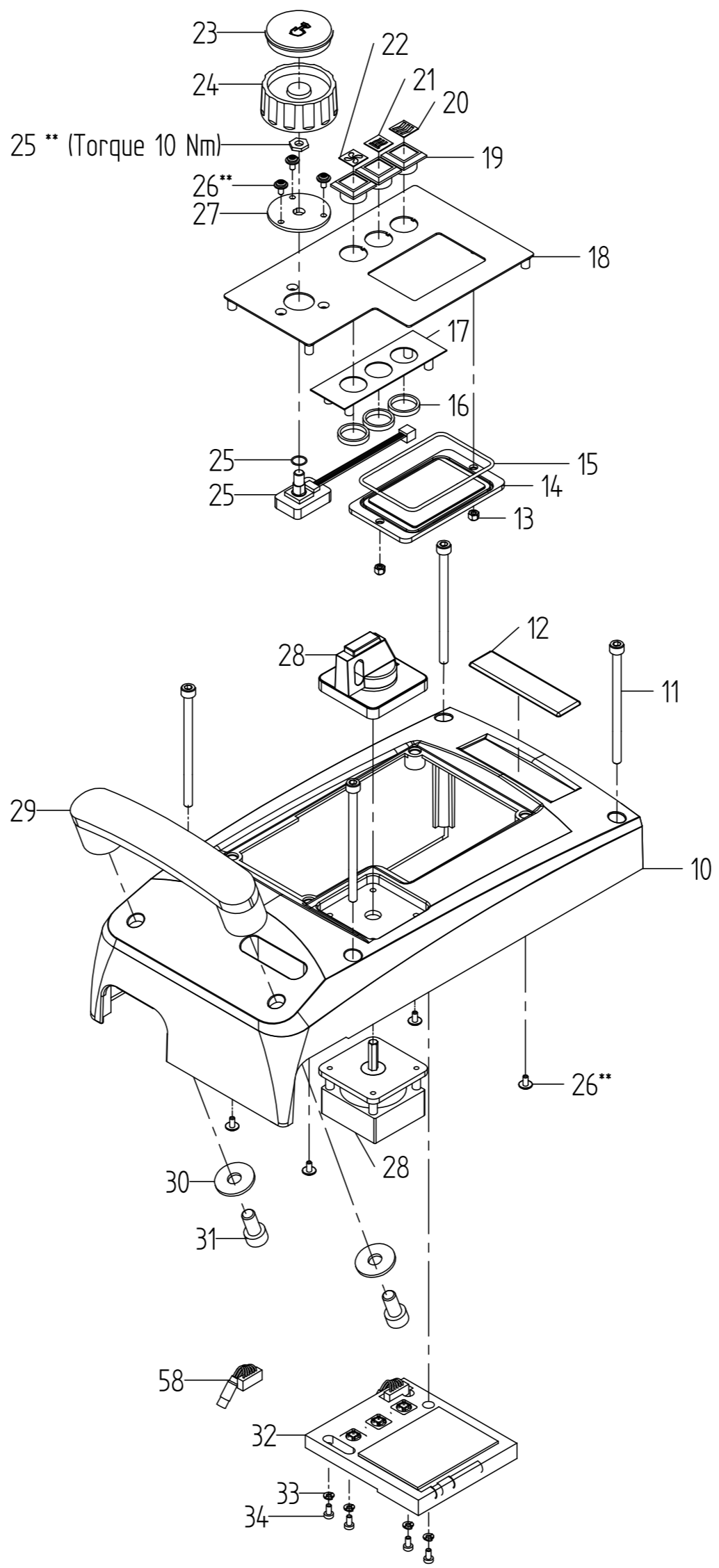
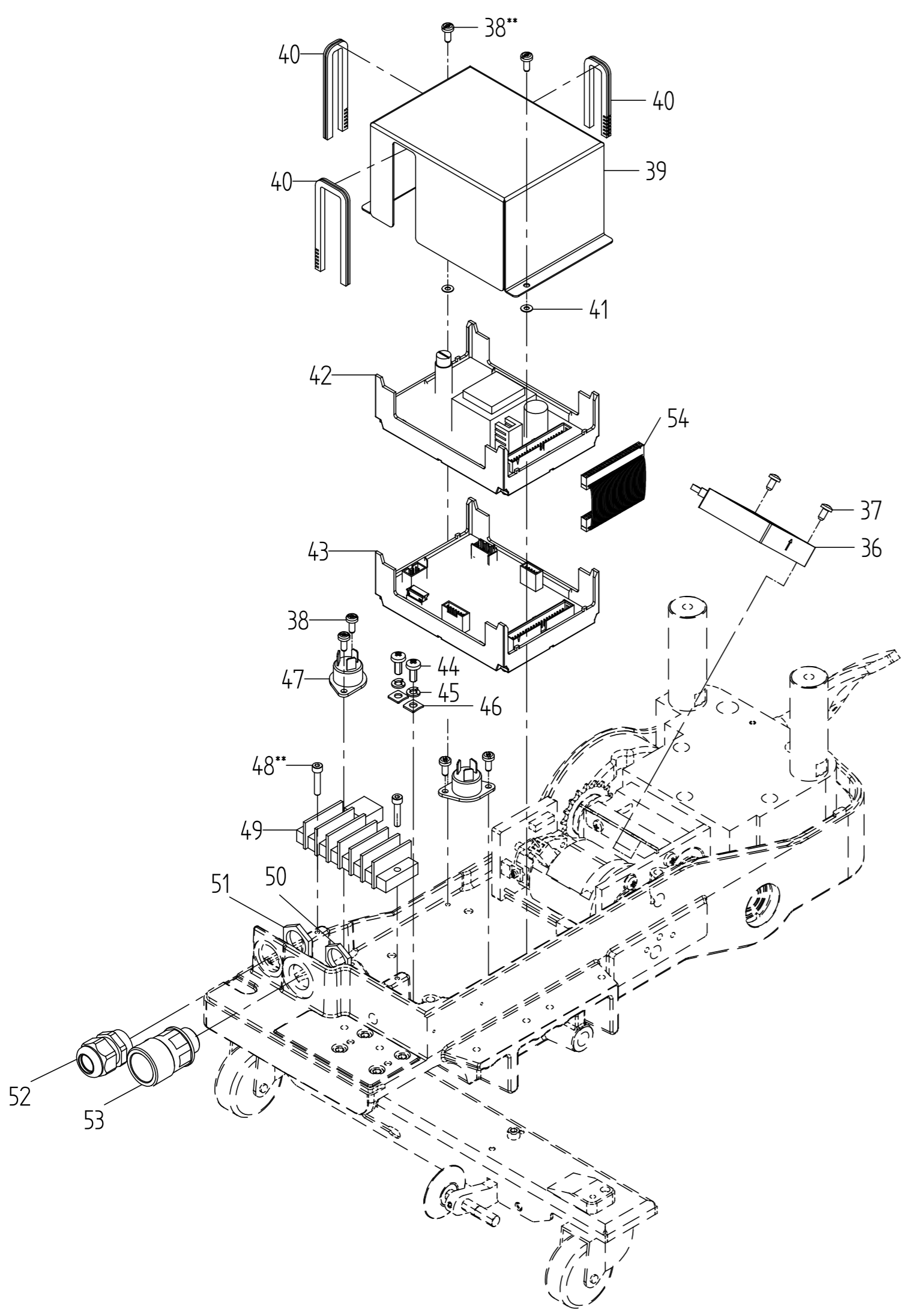


A

B

C

D



1

2

3

** = with 100.164 (Loctites 242) secured

Material:				Volume:		
Date	Drawn by	Electronics Variant T1			Sheet	
17.08.2010	wfl				1	
Date	Checked by				of	
17.12.2010	gdm				1	
LEISTER Process Technologies CH-6056 Kaegiswil		Format	Scale		Drawing number	Revision
		A3	%		020.451	B

This document and the information in it contained are property of LEISTER and as such, they are to be considered reserved. Therefore, any reproduction in any form or by any means, without prior written permission of LEISTER is forbidden.