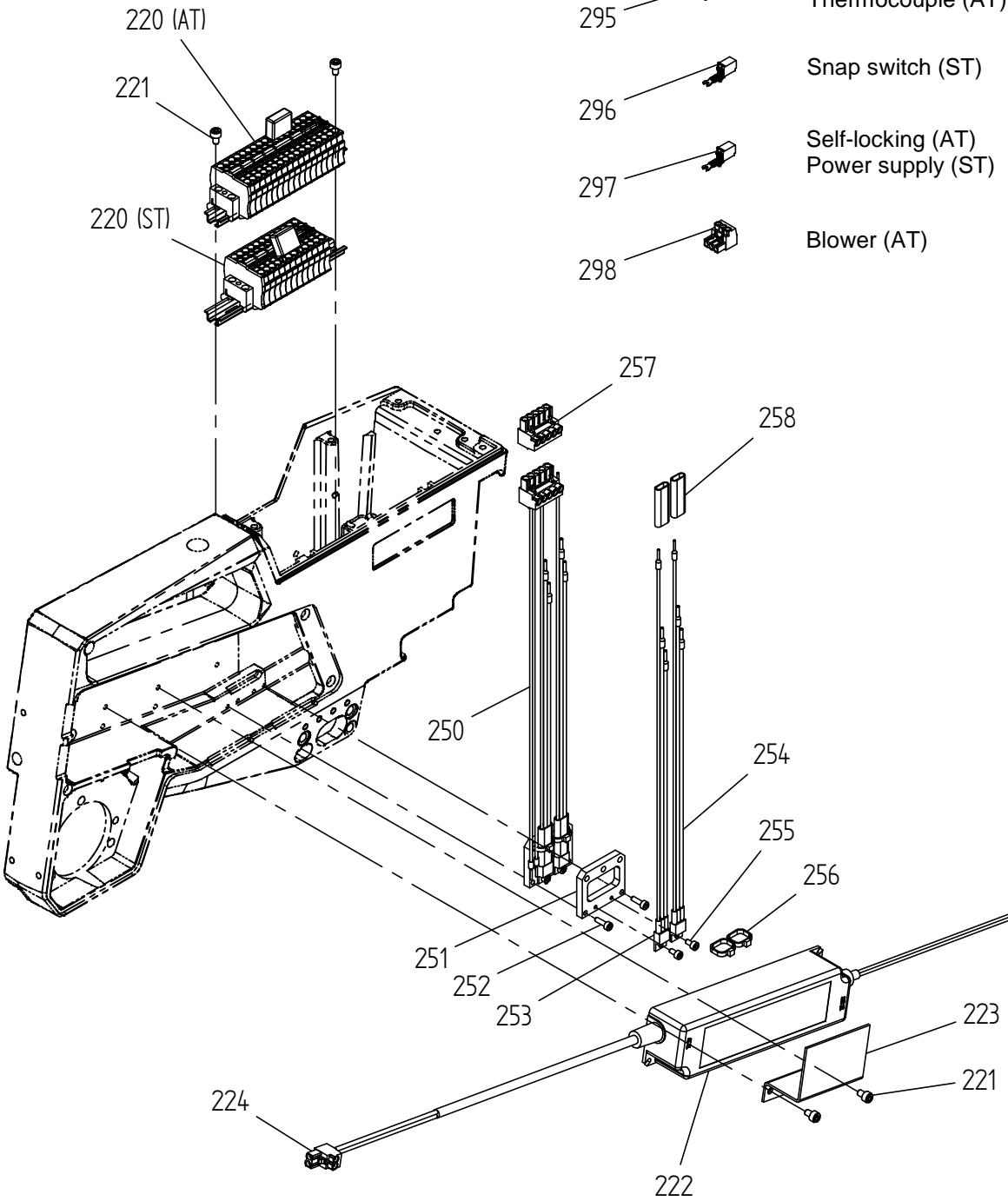
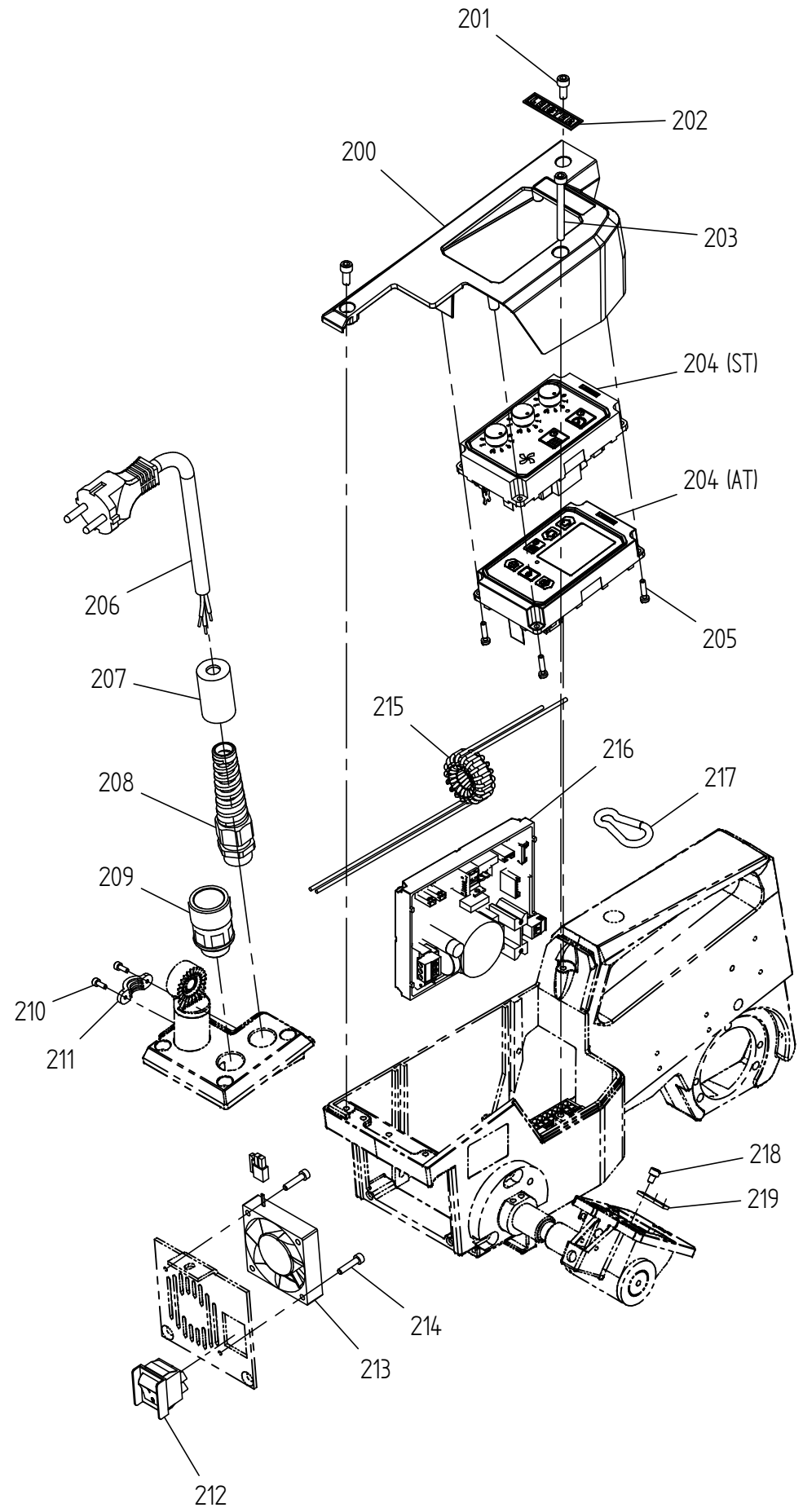


1

2

3



- 292 Drive (AT)
- 293 Self-locking (ST)
- 294 Blower (ST)
Snap switch (AT)
- 295 Drive (ST)
Thermocouple (AT)
- 296 Snap switch (ST)
- 297 Self-locking (AT)
Power supply (ST)
- 298 Blower (AT)

- 256
- 281
- 282
- 284
- 285
- 286
- 287
- 288
- 289
- 290
- 291

Material: -				Volume:		
Date	Drawn by	Electronics UNIROOF AT/ST			Sheet	
17.11.15	Buergler, Roger				1	
Date	Checked by				of	
		Format	Scale		Drawing number	Revision
Leister Technologies AG Switzerland		A3	1:5		020.742	C

This document and the information in it contained are property of LEISTER, and as such, they are to be considered reserved. Therefore, any reproduction in any form or by any means, without prior written permission of LEISTER is forbidden.