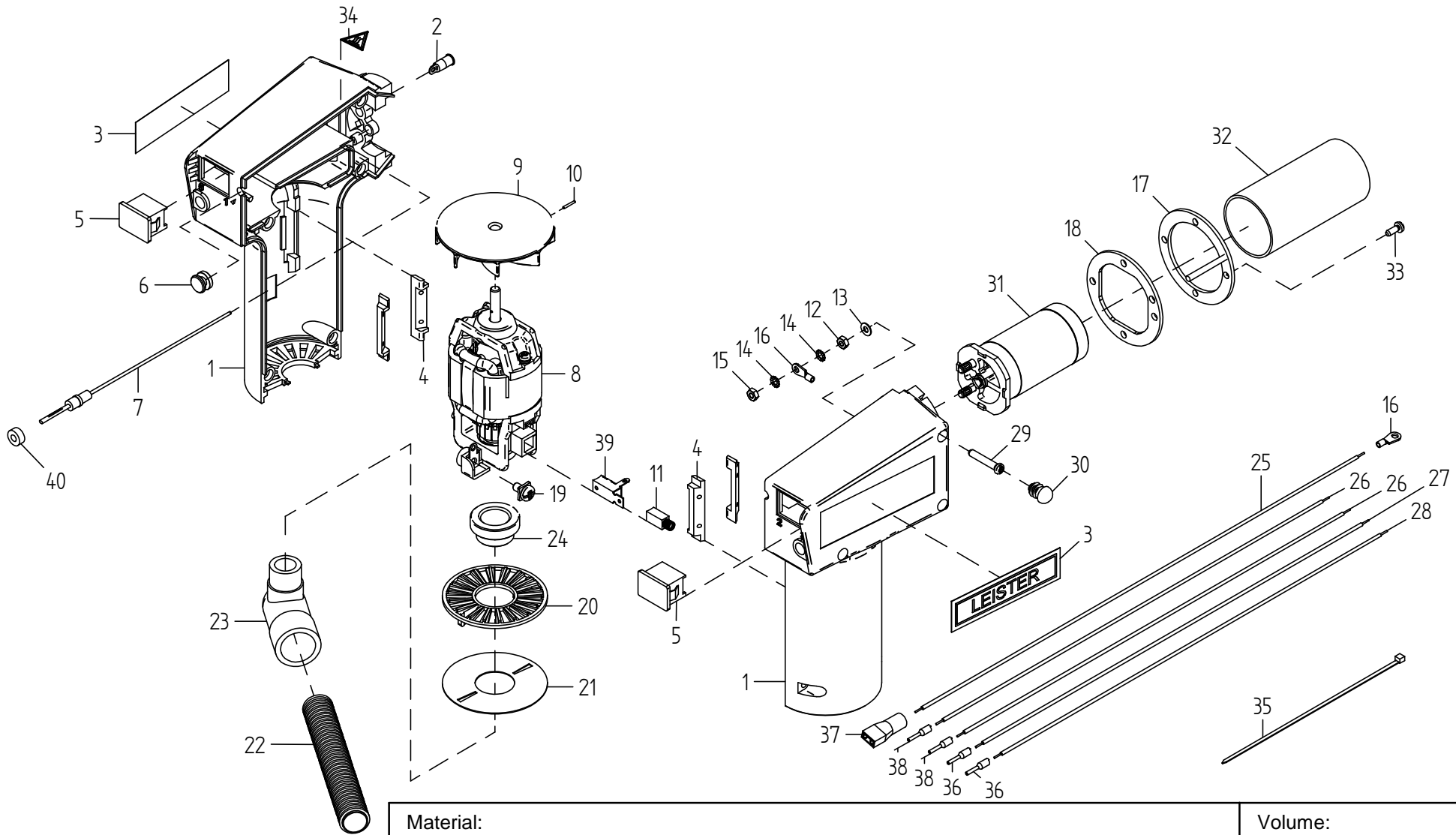
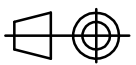


This document and the information in it contained are property of LEISTER and as such, they are to be considered reserved.
 Therefore, any reproduction in any form or by any means, without prior written permission of LEISTER is forbidden.



Material:				Volume:		
Date	Drawn by	<h1>Ghibli E Unifloor/Uniplan</h1>		Sheet		
04.08.2006	gdm			1		
Date	Checked by			of		
				1		
LEISTER Process Technologies CH-6060 Sarnen		Format	Scale		Drawing number	Revision
		A4Q	%		020.153	01