

1

2

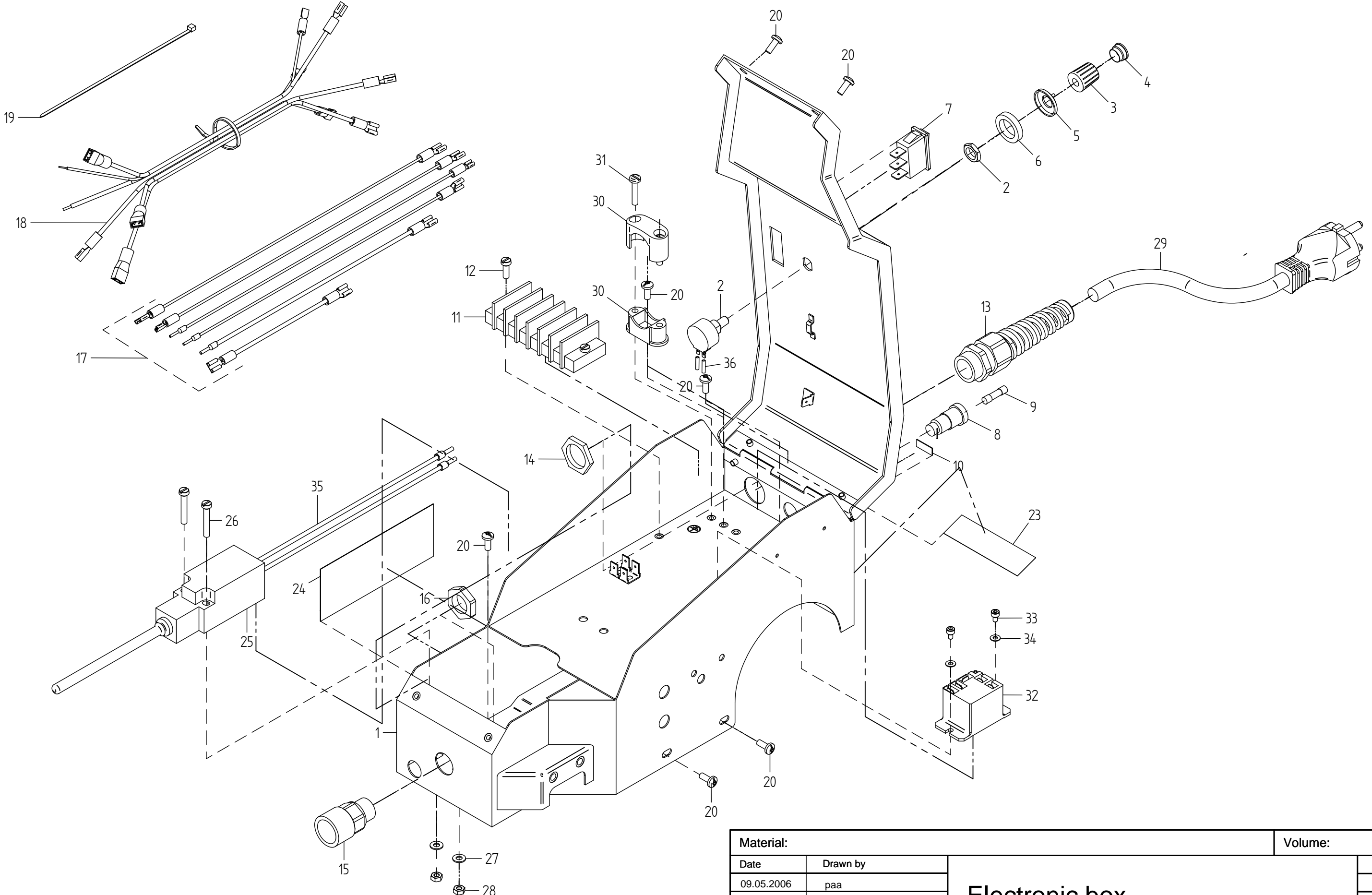
3

A

B

C

D



Material:				Volume:	
Date	Drawn by	Electronic box			Sheet
09.05.2006	paa				1
Date	Checked by				of
				1	
LEISTER Process Technologies CH-6060 Sarnen		Format	Scale	Drawing number	Revision
		A3	%	020.171	01

This document and the information in it contained are property of LEISTER, and as such, they are to be considered reserved.
 © Therefore, any reproduction in any form or by any means, without prior written permission of LEISTER is forbidden.