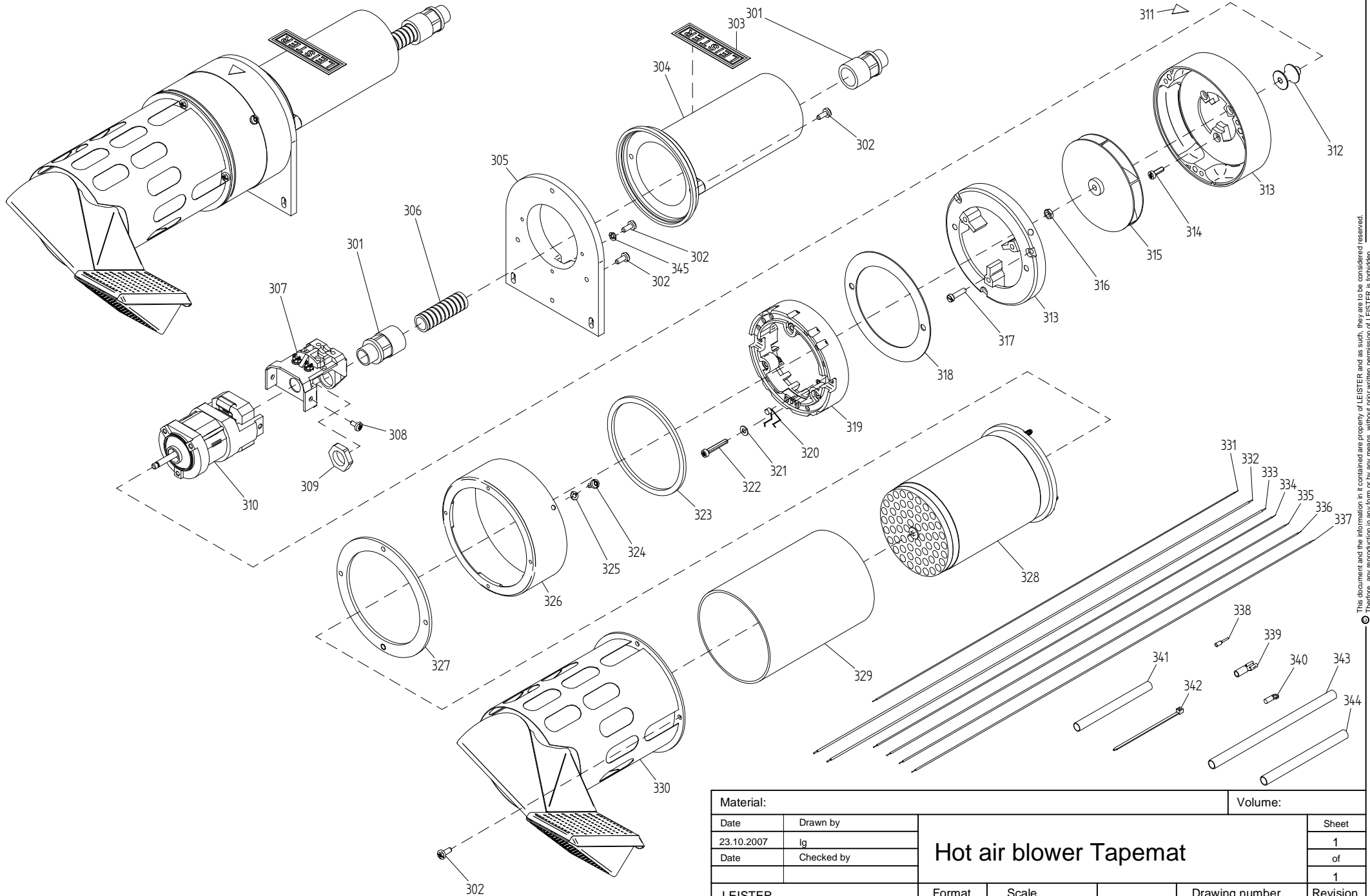


A


B

C

D



This document and the information in it contained are property of LEISTER and as such, they are to be considered reserved.
 Therefore, any reproduction in any form or by any means, without prior written permission of LEISTER, is forbidden.

Material:				Volume:		
Date	Drawn by	Hot air blower Tapemat			Sheet	
23.10.2007	Ig				1	
Date	Checked by				of	
			1			
LEISTER Process Technologies CH-6060 Sarnen		Format	Scale		Drawing number	Revision
		A3	%		020.262	01