

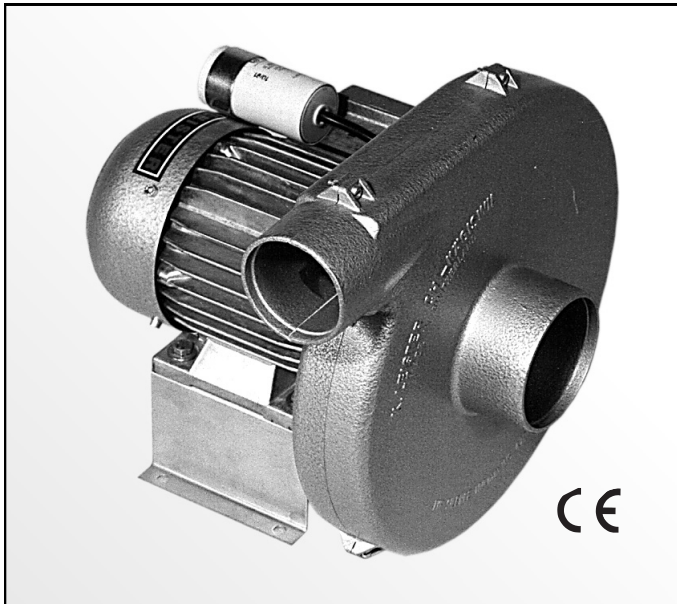
## LEISTER SILENCE Medium Pressure Blower



Please read operating instructions carefully before use and keep for further reference.

### APPLICATION

- The **LEISTER Blower Silence** is suitable for building into machines, installations and appliances and is designed for maintenance-free continuous operation.
- It is suitable for delivering air, non combustible, non corrosive and non explosive gases.
- **Air supply for LEISTER Hot Air tools**, for intake air supply and for cooling.
- **Ventilation** of tanks, aquariums and different applications for textile machines.
- **Drawing off** of welding gases and fumes.
- **Transfer** of granular and loose materials.
- **Vacuuming** screen printing machines and air tables.





## WARNING



**Danger!** When opening up the tool, live components and connections are exposed. Therefore, before opening it, unplug the tool to ensure disconnection from the mains.



## CAUTION



The **voltage rating** stated on the tool should correspond to the mains voltage.



The tool must be grounded with the **protective conductor**.



Use **thermal overload protection switch**.



Pay attention to the **direction of rotation**.



Protect tool from **damp and wet**.

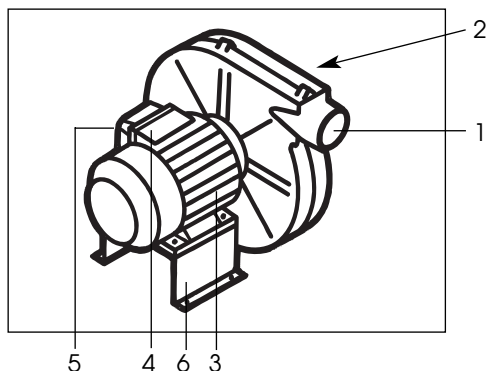
## TECHNICAL DATA

### Design

Voltage for three-phase supply	V~	radial blower
Voltage for single phase supply	V~	3 x 230 – 254    3 x 380 – 440
Condensator for single phase	mF	1 x 230 – 254
Capacity	W	12
Frequency	Hz	75
Air flow	l/min.	20
Static pressure	Pa	50 / 60
Noise level	dB (A)	4700 / 6000
Environmental protection	DIN 40050	1000 / 1400
Diameter of air intake (external Ø) mm		61
Diameter of air outlet (external Ø) mm		IP 54
Ambient temperature	°C	80
Weight	kg	60
Size (L x B x H)	mm	<60
		9,0
		280,5 x 289 x 280

100 Pa = 1 mbar

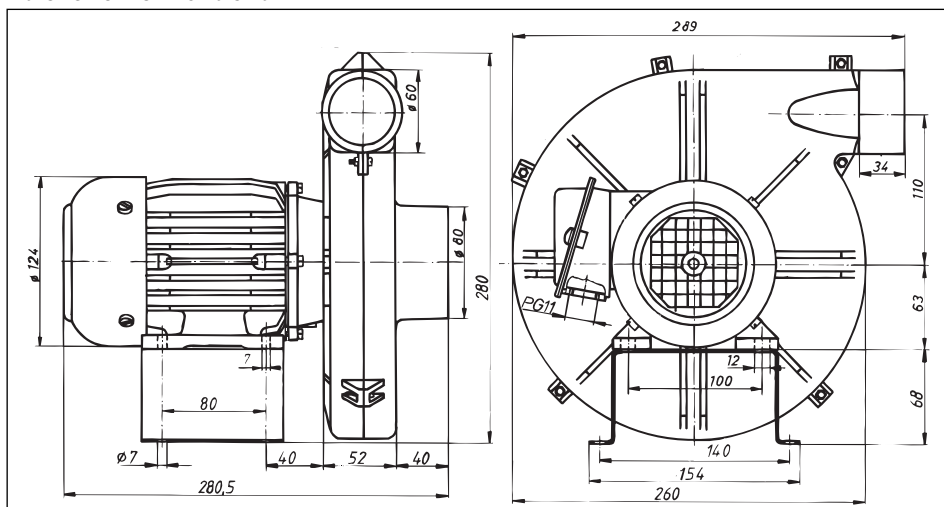
Description of tool



1. Air outlet  $\varnothing$  60
2. Air intake  $\varnothing$  80
3. Motor
4. Connection box
5. Connection box lid
6. Installation stand

Installation

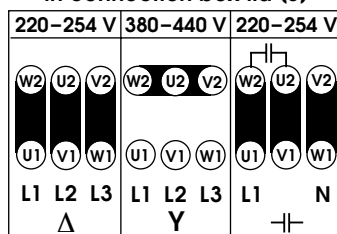
- The Silence blower should be fixed by using four M6 screws on the **installation stand (6)**.
- Protect the bower from vibration and shock.
- The blower can be installed horizontally or vertically.
- Installation dimensions in mm



Operation

- The blower should only take in air at  $< 60^{\circ}\text{C}$ .
- For use in a dusty environment, a LEISTER stainless steel filter should be fitted onto the **blower air intake (2)**.
- The appropriate connections should be made in the **connection box (4)** depending on the voltage.
- The blower should be connected by an electric engineer. **Pay attention to the direction of rotation!**

Circuit diagram in connection box lid (5)



## ACCESSORIES

- Only LEISTER accessories must be used.

## SERVICE AND REPAIR

- Repairs have to be carried out by authorised **LEISTER Service Centres** only. They guarantee a specialized and reliable **repair service within 24 hours** using original LEISTER spare parts.

## GUARANTEE AND LIABILITY

- Guarantee and liability are in accordance with the guarantee certificate as well as with the currently valid general business and sales conditions.
- LEISTER Process Technologies rejects any guarantee claims for tools which are not in their original condition. The tools must never be altered or changed.

**Technical data and specifications are subject to change without prior notice.**

**Your authorized Service Centre is:**