

Medium pressure blower

RBR



New

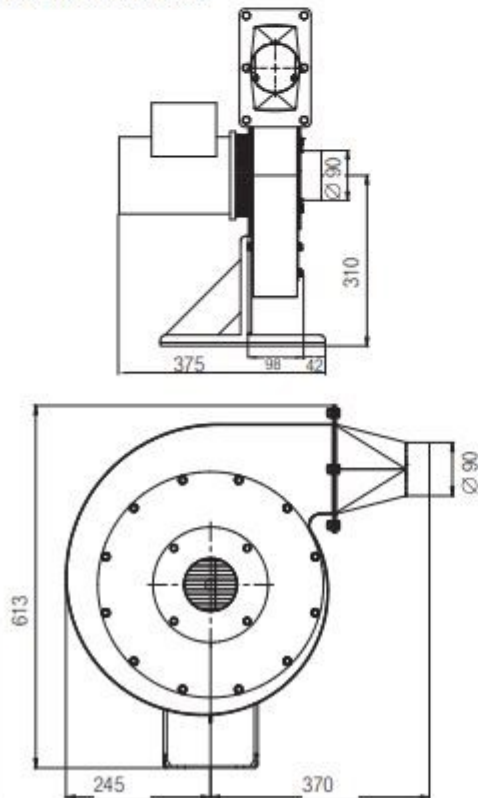
Technical data RBR

Design: radial blower

Frequency	Hz	50	60
Air flow (20 °C)	l/min	18000	20000
Static pressure	kPa	2.2	2.5
Max. ambient temperature	°C	60	60
Max. air inlet temperature	°C	350	350
Noise emission level	dB (A)	61	61
Environmental protection (IEC 60529)		IP 54	IP 54
Outside diameter air inlet	mm	Ø 90	Ø 90
Outside diameter air outlet	mm	Ø 90	Ø 90
Weight	kg	19.0	19.0
Conformity mark		CE	CE
Protection class I		⚡	⚡

Can be controlled with FC (page 62), 20 – 60 Hz

Installation dimensions in mm



Voltage	V – 50 Hz	3 x 230 / 400
	V – 60 Hz	3 x 277 / 480
Power consumption	W	550 / 660
Without cable	Order no.	156.049

