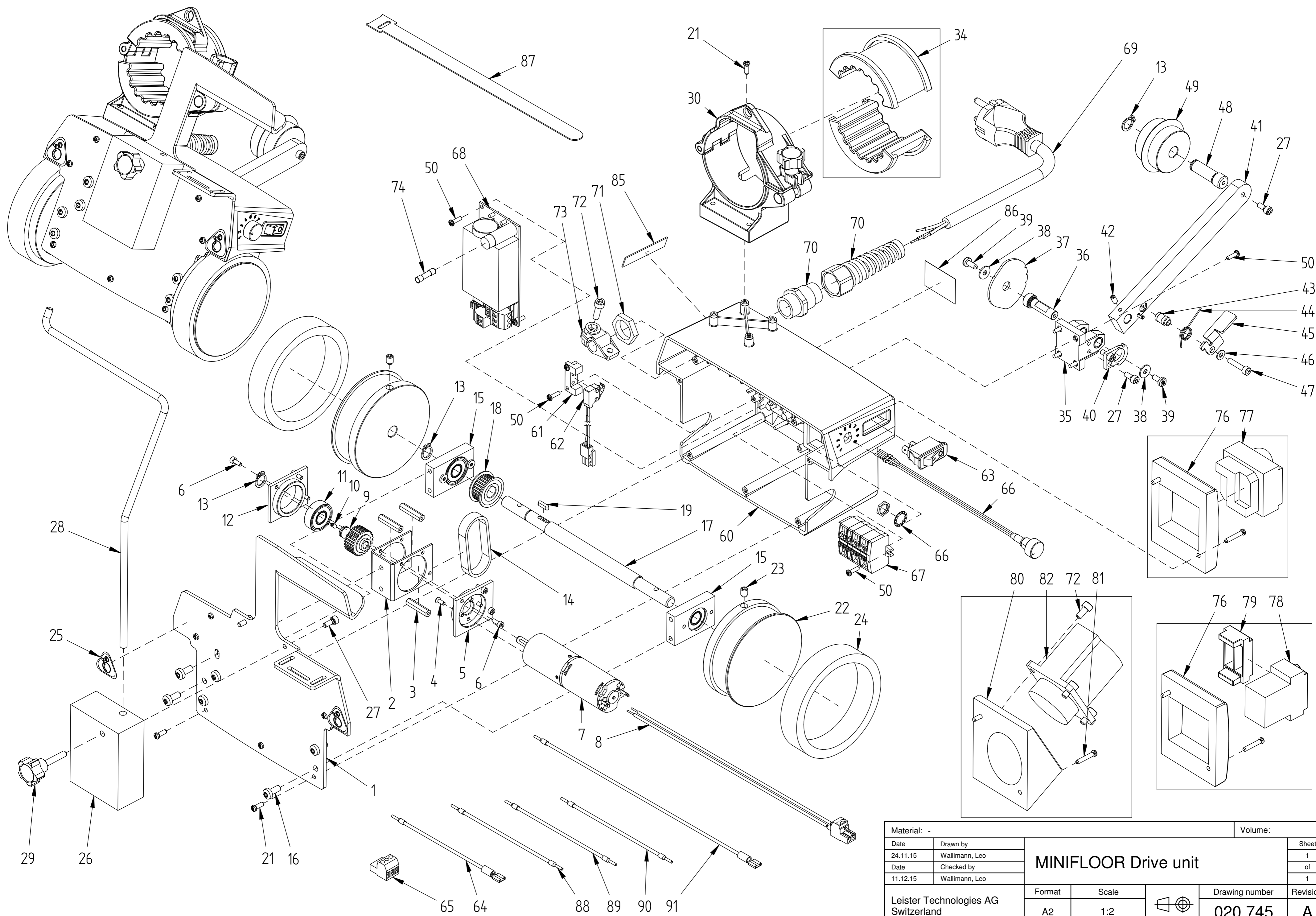


1

2

3

4



| | | | |
|----------------------------------------|---------------|----------------------|----------------|
| Material: - | | Volume: | |
| Date | Drawn by | MINIFLOOR Drive unit | Sheet |
| 24.11.15 | Wallmann, Leo | | 1 |
| Date | Checked by | MINIFLOOR Drive unit | of |
| 11.12.15 | Wallmann, Leo | | 1 |
| Leister Technologies AG Switzerland | | Format | Scale |
| | | A2 | 1:2 |
| | | | Drawing number |
| | | | 020.745 |
| | | | Revision |
| | | | A |

This document and the information it contains are property of LEISTER and as such, they are to be considered reserved. Therefore, any reproduction in any form or by any means, without prior written permission of LEISTER is forbidden.