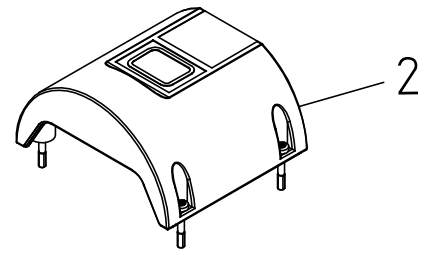
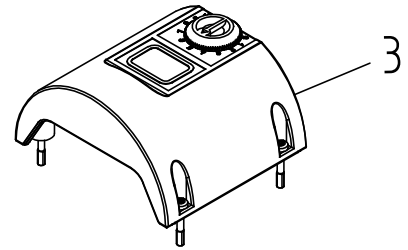


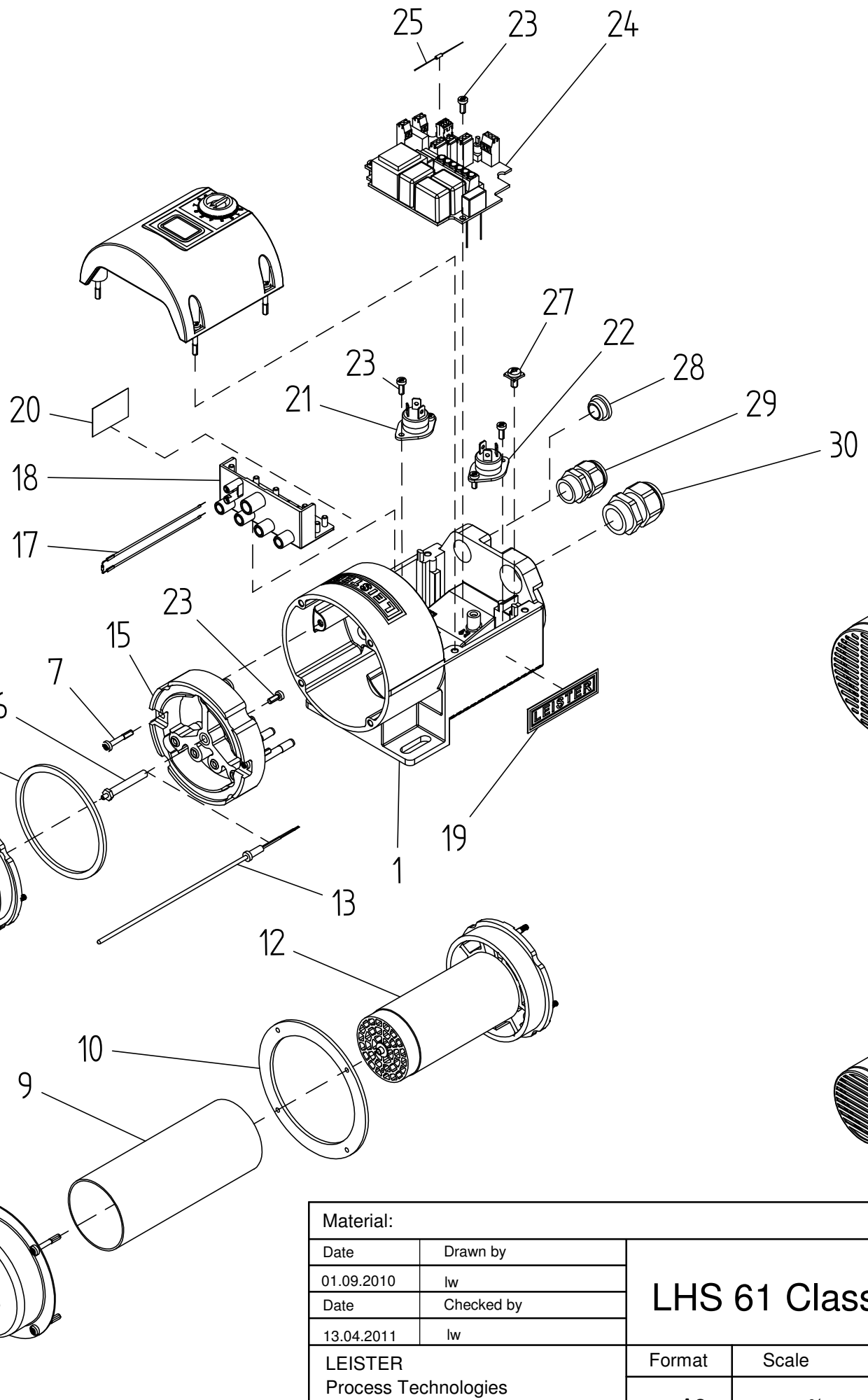
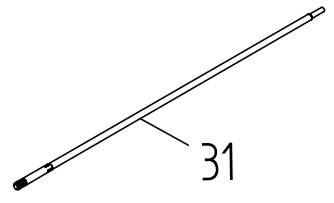
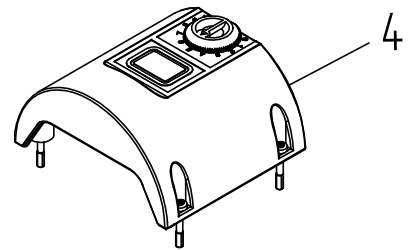
Classic



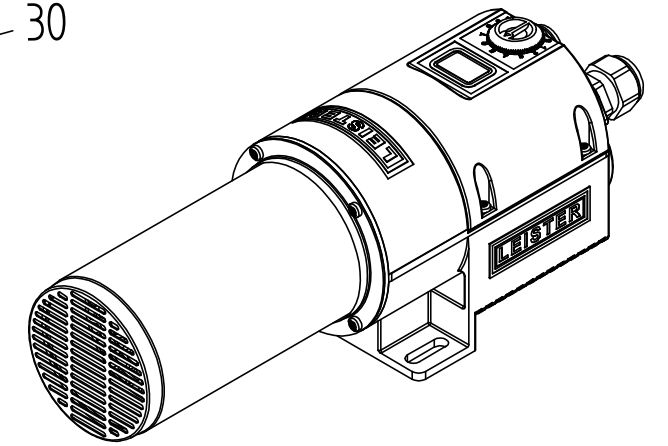
Premium



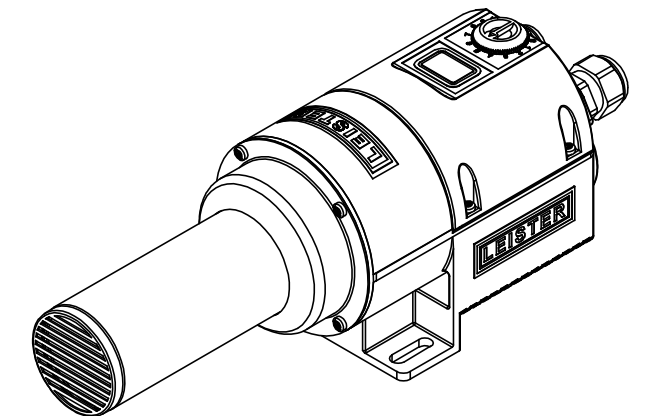
System



LHS 61L System



LHS 61S System



Material:				Volume:	
Date	Drawn by	LHS 61 Classic/Premium/System			Sheet
01.09.2010	lw				1
Date	Checked by				of
13.04.2011	lw				1
LEISTER Process Technologies CH-6056 Kaegiswil		Format	Scale	Drawing number	Revision
		A3	%		020.414