

# Double-flange air heaters: The recycling specialists.

Reduced to the max! These double-flange air heaters are suitable for integration into air duct systems. The inlet air temperature can be as high as 160 °C (in special versions up to 300 °C) so preheated air can be reused and recycled.

## Air heater

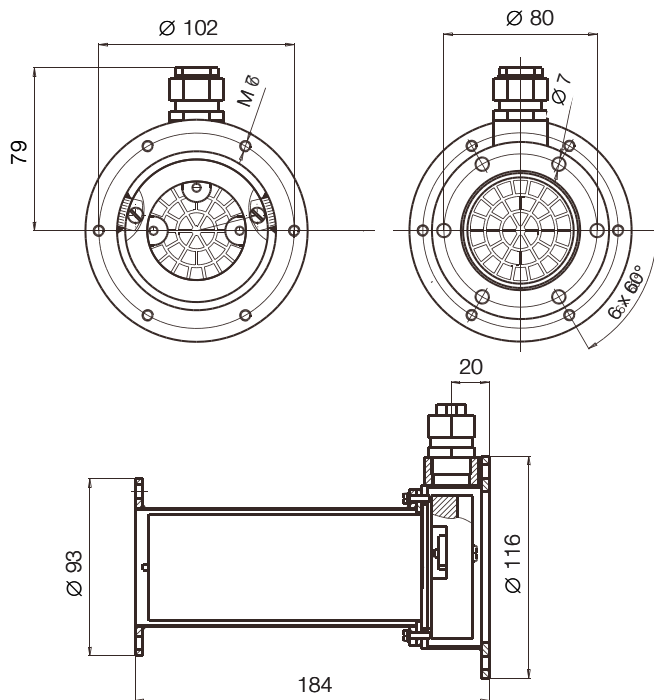
### LE 5000 DF



#### Technical data LE 5000 double flange

Easy to integrate in existing air systems		•
Suitable for recycling air		•
Simple and safe fixture options		•
No integrated power electronics		•
Max. air outlet temperature	°C	700
Min. air flow	l/min	4.5 kW / 6.5 kW 800
		7.5 kW 1000
Max. air inlet temperature	°C	160
Max. ambient temperature	°C	100
Weight including 5 m silicon cable	kg	1.9
Mark of conformity		CE
Protection class I		⊕

#### Installation dimensions in mm



#### Optional power controller

DSE three-phase controller (page 51)

#### Optional temperature regulation

DSE three-phase controller (page 51) and KSR DIGITAL temperature regulator (page 50)

Voltage V ~		3 × 400	3 × 400	3 × 400
Power consumption kW		4.5	6.5	7.5
<b>LE 5000 DF</b>	<b>Order no.</b>	<b>117.551</b>		<b>114.240</b>
<b>LE 5000 DF sealed</b>	<b>Order no.</b>		<b>127.872</b>	

Additional versions available on request