

A

B

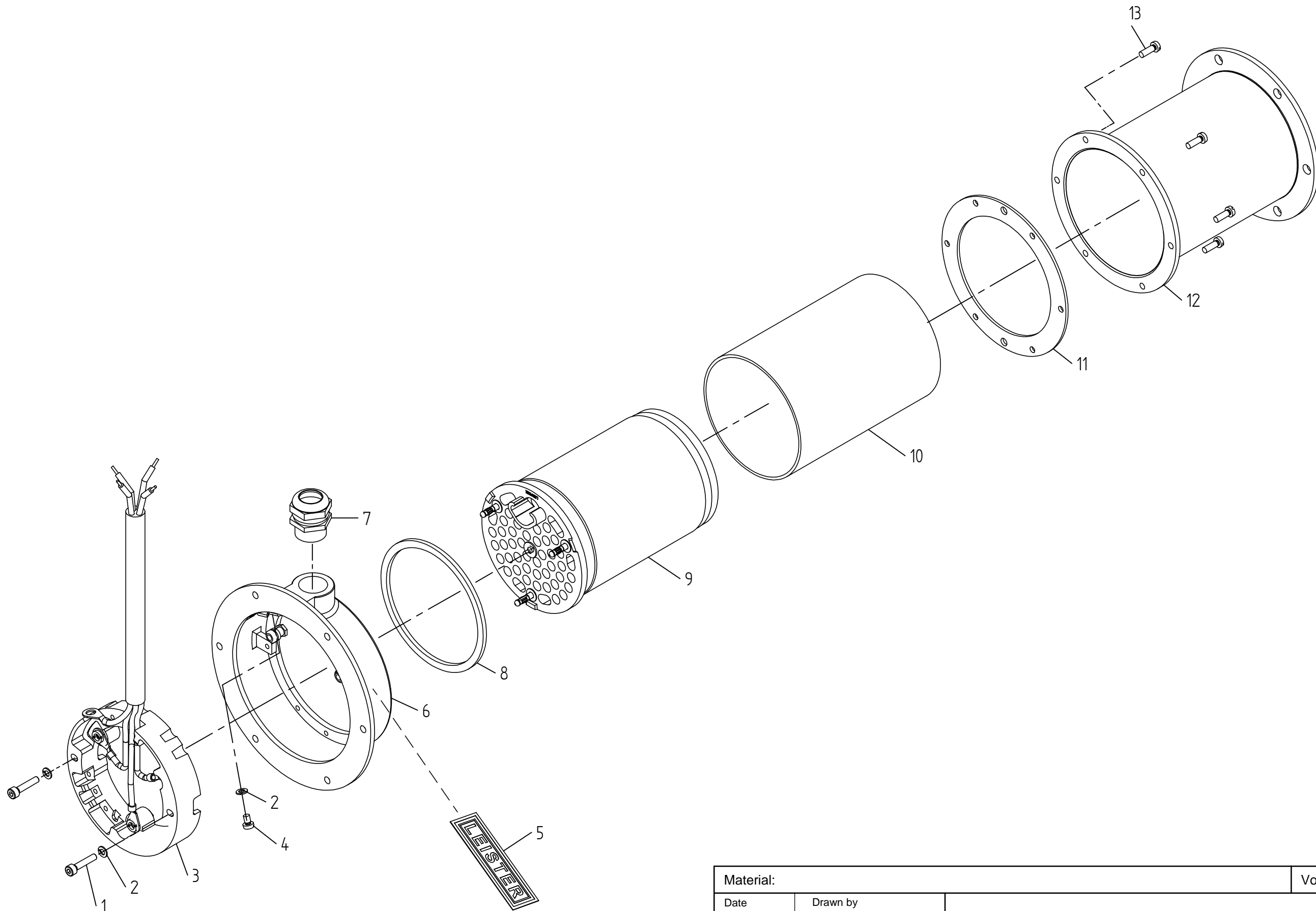
C

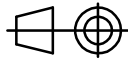
D

1

2

3



Material:				Volume:		
Date	Drawn by	LE 10000S Double flange			Sheet	
02.02.2009	fom				1	
Date	Checked by				of	
				1		
LEISTER Process Technologies CH-6060 Sarnen		Format	Scale		Drawing number	Revision
		A3	%		020.273	01

This document and the information in it contained are property of LEISTER, and as such, they are to be considered reserved.
 © Therefore, any reproduction in any form or by any means, without prior written permission of LEISTER is forbidden.