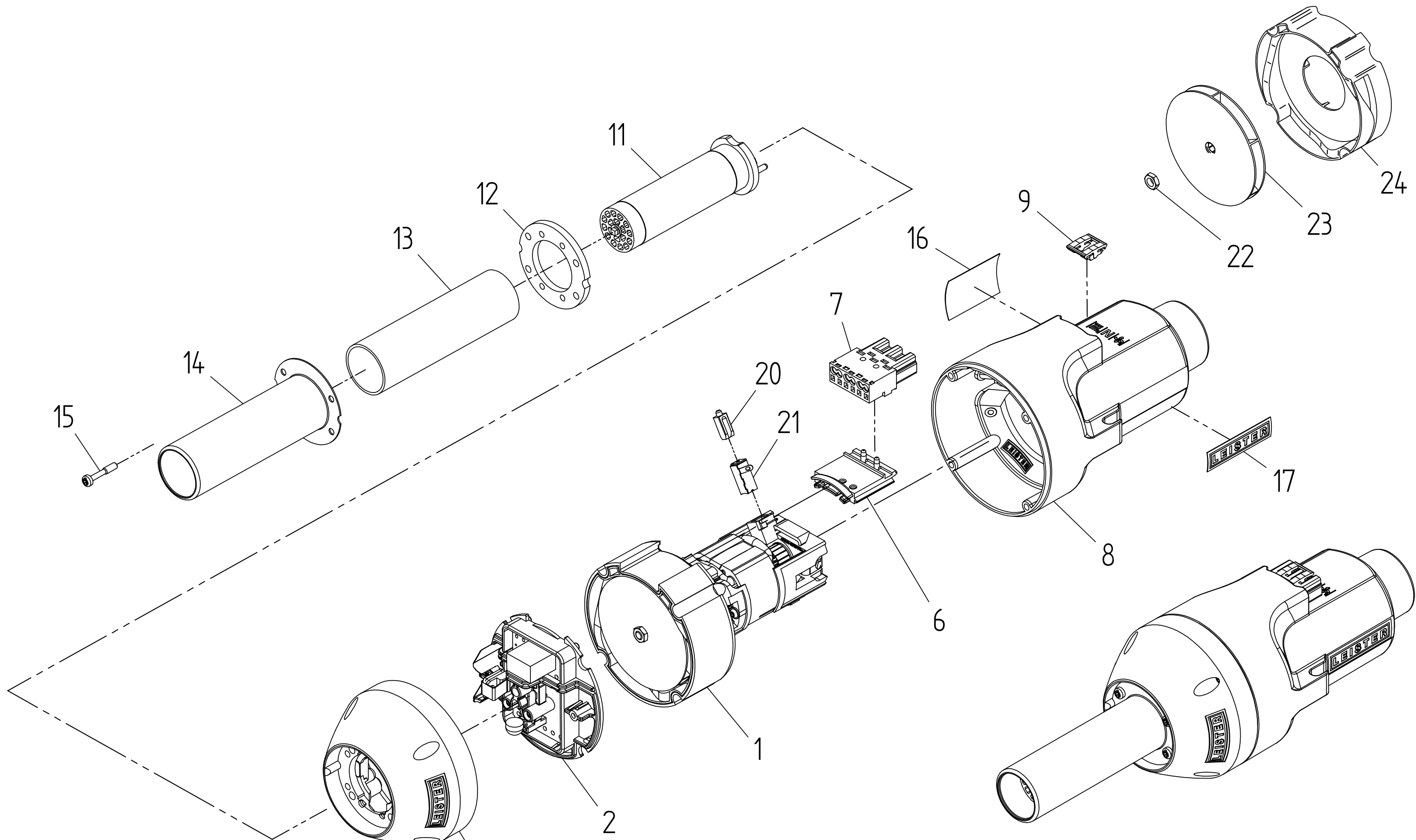


A

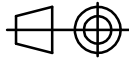
B

C

D



Pos.	Torque	number of revolutions
15	1,2 Nm	650 1/min.
22	0,6 Nm	650 1/min.

Material:				Volume:		
Date	Drawn by	Igniter			Sheet	
09.08.2010	ha				1	
Date	Checked by				of	
22.03.2011	ha				1	
LEISTER Process Technologies CH-6056 Kaegiswil		Format	Scale		Drawing number	Revision
		A3	%		020.431	A