

**LEISTER**

PROCESS HEAT

Hot air blower  
HOTWIND PREMIUM  
HOTWIND SYSTEM



**New!**

## The new HOTWIND PREMIUM and HOTWIND SYSTEM from Leister

The new HOTWIND PREMIUM is the successor to the hugely popular HOTWIND S. Its brushless motor ensures that this hot air blower has a long service life. The maximum air volume can now be set infinitely up to 900 l/min via the potentiometer.

The wide range of applications makes the new HOTWIND SYSTEM truly impressive: be it as a unit with integrated control or as a unit for integration in a closed loop control circuit using a system interface.

### Advantages



1		<b>Infinitely adjustable:</b> Potentiometers for stepless adjustment of the heating and blower (PREMIUM and SYSTEM).
2		<b>Remote controlled:</b> Interface with alarm contact in the HOTWIND SYSTEM for controlling the air volume and heat output, using 4 – 20 [mA] or 0 – 10 [V] signal.
3		<b>Integrated:</b> Temperature probe in the HOTWIND SYSTEM for even greater precision.
4		<b>User friendly:</b> Display on the HOTWIND SYSTEM provides the user with status information.
5		<b>Cleverly combined:</b> Main switch with integral function button for programming (SYSTEM).
6		<b>Cool:</b> The unit is automatically cooled prior to switching off by pressing the function button.

### Technical features

	PREMIUM	SYSTEM
Heat output and air volume steplessly adjustable with potentiometer	•	•
Integrated power electronics	•	•
Protection against heating element or device overheating	•	•
Brushless blower motor	•	•
Alarm output		•
Integrated temperature control		•
Remote control interface for temperature or power set point		•
Remote control interface for air volume adjustment		•
Integrated temperature probe		•
Display for showing the setpoint and actual values (°C or °F)		•



HOTWIND SYSTEM with wide slot nozzle integrated in a blow-off application.



HOTWIND SYSTEM as hot air provider in a shrinking process.

## Technical data

Voltage	V~	120	230	230	230	230	230	400
Power consumption	W	2300	2300	2300	3100	3700	3700	5400
Frequency	Hz	50/60						
Max. air outlet temperature	°C	650	650	650	800	650	650	650
Max. air flow (20 °C)	l/min.	200 – 900						
Static pressure	Pa	500						
Noise emission	L <sub>pA</sub> (dB)	< 70						
Weight without cable	kg	2.6						
Measure		see below						
Mark of conformity		CE						
Certification scheme		CCA						
Protection classe II		□						
Without connecting plug		•		•			•	•
Connecting plug (Euro)			•		•	•		
Art. No. PREMIUM		140.095	142.612	142.643	142.608	142.609	140.098	follows
Art. No. SYSTEM		142.636	142.646	140.096		142.645	142.640	follows

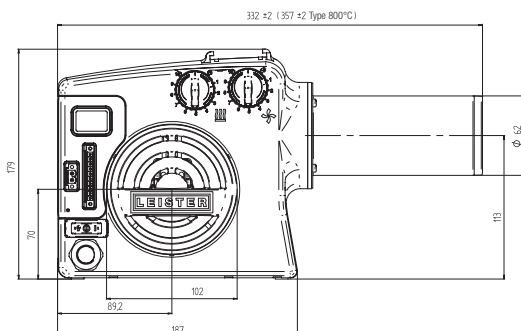
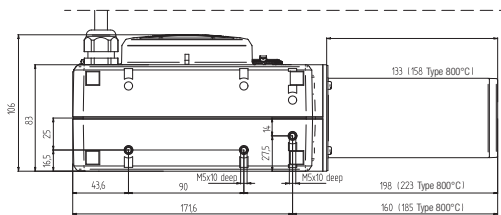
Subject to change without notice  
Connection voltage non-switchable

Additional versions on request

## Accessories HOTWIND

<b>107.262</b>		Wide slot nozzle, push-fit, 300 × 4 mm (Other sizes available)
<b>105.919</b>		Tubular nozzle, push-fit, 456 × 306 × 3 mm (Other sizes available)
<b>107.329</b>		Sieve reflector, push-fit, 76 × 75 mm (Other sizes available)
<b>106.174</b>		Shell reflector, push-fit, 400 × 65 mm (Other sizes available)
<b>107.245</b>		Round nozzle, push-fit, Ø 40 mm (Other sizes available)
<b>107.335</b>		Sieve reflector, push-fit, Ø 150 mm (Other sizes available)
<b>141.723</b>		Handtool-Kit (Handle and protective tube)
<b>106.956</b>		Thermocouple with plug, 1 m cable

## Installation dimensions in mm



Application as a handheld or table unit with handle and protective tube.

**Headquarters:**

Leister Process Technologies  
Galileo-Strasse 10  
CH-6056 Kaegiswil/Switzerland  
phone: +41 41 662 74 74  
fax: +41 41 662 74 16  
leister@leister.com  
sales@leister.com

Leister Technologies LLC  
1253 Hamilton Parkway  
Itasca, IL 60143/USA  
phone: +1 630 760 1000  
fax: +1 630 760 1001  
sales@leisterusa.com

Leister Technologies Ltd.  
Building A, 1588 Zhuanxing Road  
Shanghai 201 108 PRC  
phone: +86 21 6442 2398  
fax: +86 21 6442 2338  
leister@leister.cn

Leister Technologis KK  
Shinyokohama Bousei Bldg 1F  
3-12-20, Shinyokohama, Kohoku-ku,  
Yokohama 222-0033  
phone: +81 (45) 477 3637  
fax: +81 (45) 477 3638  
sales-japan@leister.com

**Our close worldwide network of more than 120 Sales and Service Centres in more than 90 countries.**

**Europe:**

- |                |               |             |          |             |
|----------------|---------------|-------------|----------|-------------|
| Austria        | Estonia       | Hungary     | Norway   | Slovenia    |
| Belgium        | Finland       | Ireland     | Poland   | Spain       |
| Bulgaria       | France        | Italy       | Portugal | Sweden      |
| Croatia        | Germany       | Latvia      | Romania  | Switzerland |
| Cyprus         | Great Britain | Lithuania   | Russia   | Turkey      |
| Czech Republic | Greece        | Netherlands | Serbia   | Ukraine     |
|                |               |             | Slovakia |             |

**Leister Technologies GmbH  
Aachen, Germany**

**Leister Process Technologies  
Headquarters and Manufacturing  
Kaegiswil, Switzerland**

**Leister Technologies LLC  
Itasca, IL, USA**

**America:**

- Canada
- Mexico
- USA
- Argentina
- Brazil
- Chile
- Peru

**Leister Technologies KK  
Yokohama, Japan**

**Leister Technologies Ltd.  
Shanghai, China**

**Africa:**

- Egypt
- Kenya
- Morocco
- South Africa

**Asia:**

- P. R. China
- Hong Kong
- India
- Indonesia
- Iran

- Japan
- Korea
- Malaysia
- Philippines
- Saudi Arabia
- Singapore

- United Arab Emirates
- Taiwan
- Thailand
- Vietnam

**Oceania:**

- Australia
- New Zealand

Distributor Address: