

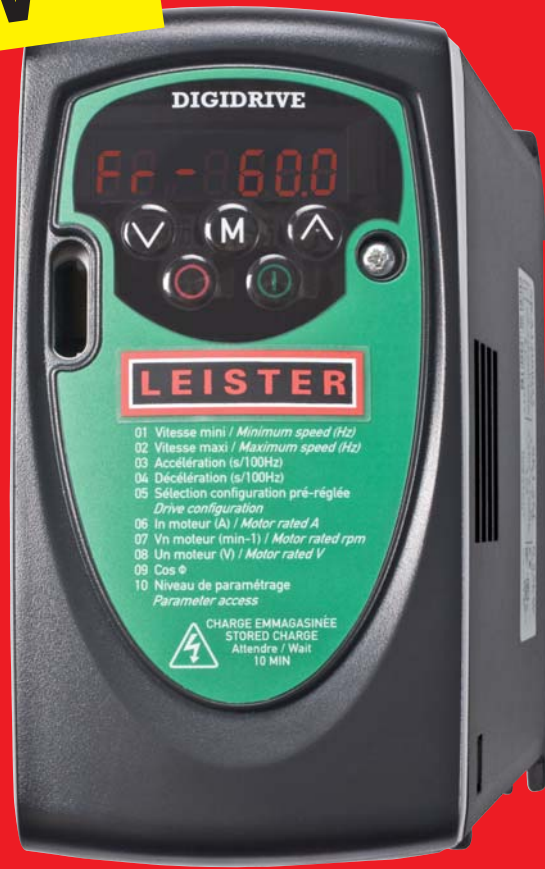
**LEISTER**

PROCESS HEAT

**NEW**

Frequency converter  
for Leister blowers.

More power,  
variable air volume,  
controllable via  
remote control.



SILENCE

ROBUST

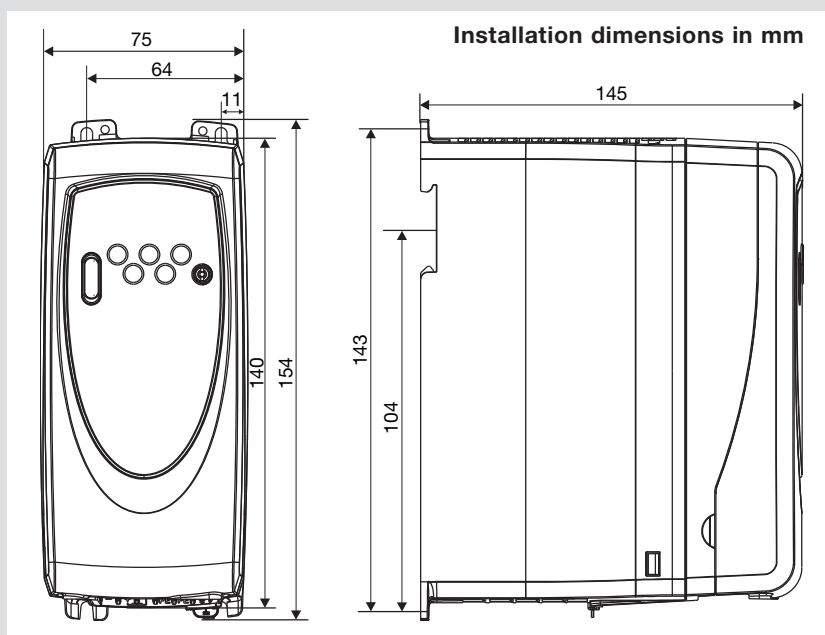
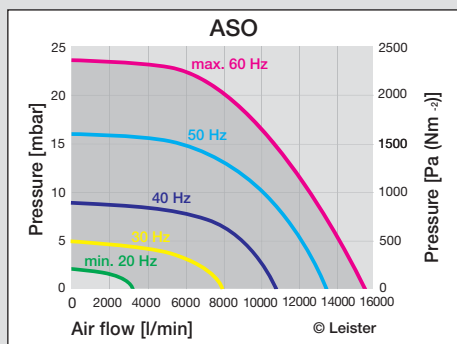
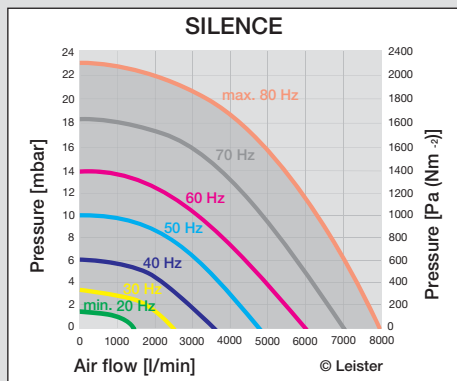
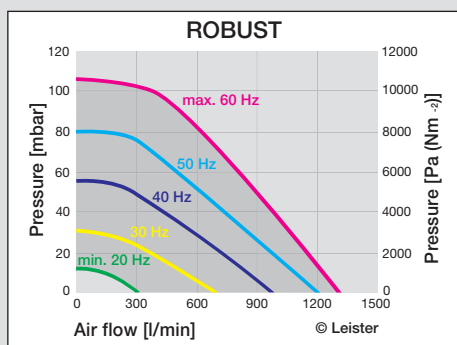


ASO



## Benefit of frequency converter with Leister blowers

- Better hot air processes** Because air volume and heating performance can be set independently, precisely and reproducibly from each other.
- Up to 60% higher blower performance** Because the frequency converter lets the blower turn faster than the mains frequency (see diagram below).
- Lower system costs** Smaller and cheaper blowers can be used or fewer blowers will be necessary, because multiple air heaters can be connected to a blower.
- Easy to integrate in the controller** By the remote control interface 4-20mA/0-10V or by fixed set values (up to 4) via clamp contacts.
- Air supply controller** Active braking function enables quick air volume changes, i.e. for timed systems.
- Save energy – heat only when necessary** There are timed processes, where hot air is necessary within a clearly defined time window. For the rest of the time, the air volume can be minimised and the heating performance switched off.
- Simple plug & play installation** The frequency converter is already configured for operation with Leister blowers.
- Secure** Integrated current monitoring and a built-in motor protection switch protect the blower.
- Elimination of the motor condensator** This function is already integrated in the frequency converter.



### Technical Data

Input voltage	V~	1 x 200 – 240 VAC
Max. blower rated power	W	550
Frequency	Hz	50 / 60
Typical input current at full load	A	8.1
Output rated power (100%)	A	3.0
Weight	kg	1.0
Mark of conformity		CE UL
Protection classe I		⊕

Article No. 117.359 frequency converter FC 550

Flyer FC 550 / ENG / 02.2008

© Copyright by Leister



**Headquarters:**  
 Leister Process Technologies  
 Galileostrasse 10  
 6056 Kaegiswil / Switzerland

phone: +41 41 662 74 74  
 fax: +41 41 662 74 16  
 leister@leister.com

[www.leister.com](http://www.leister.com)